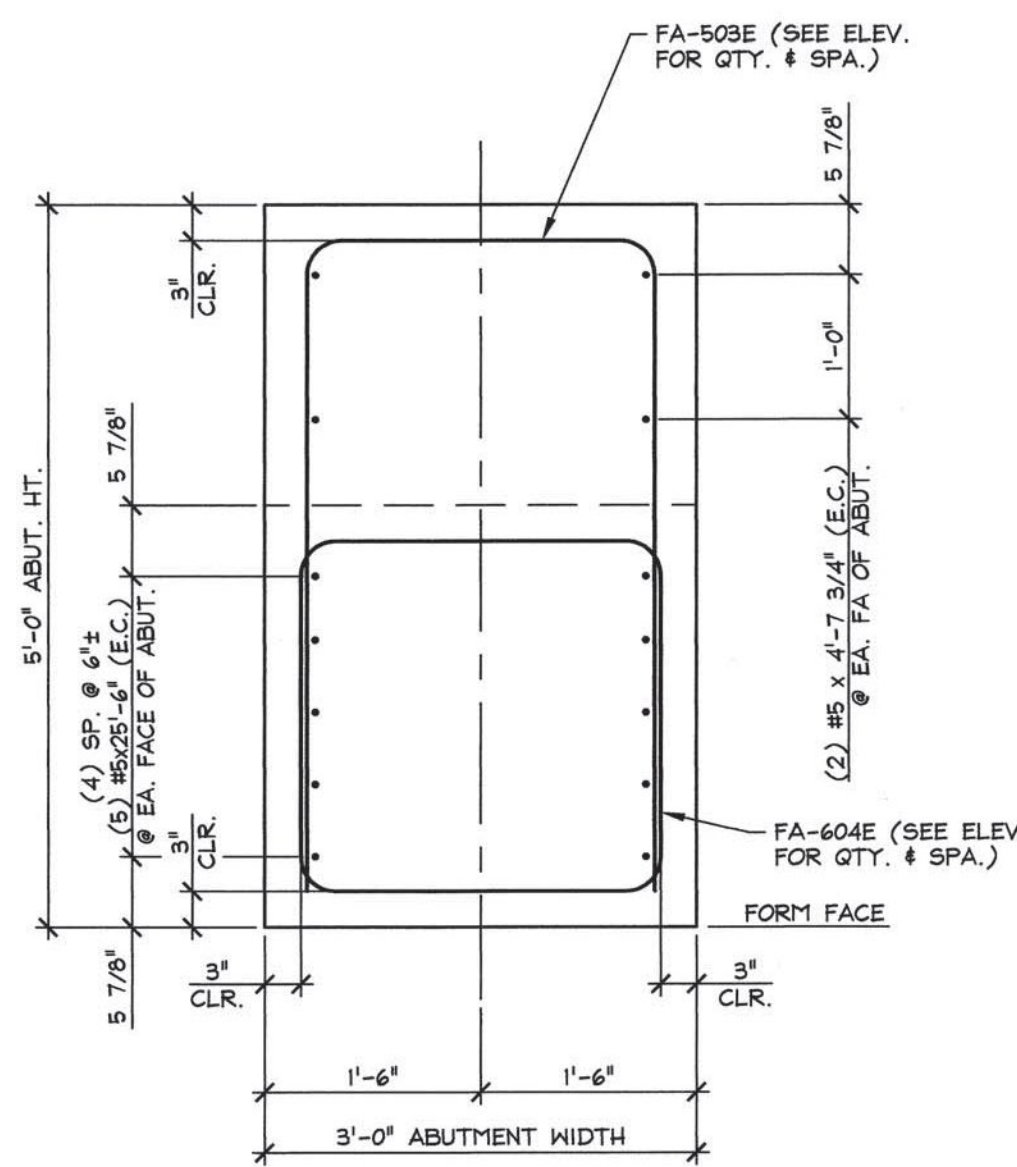
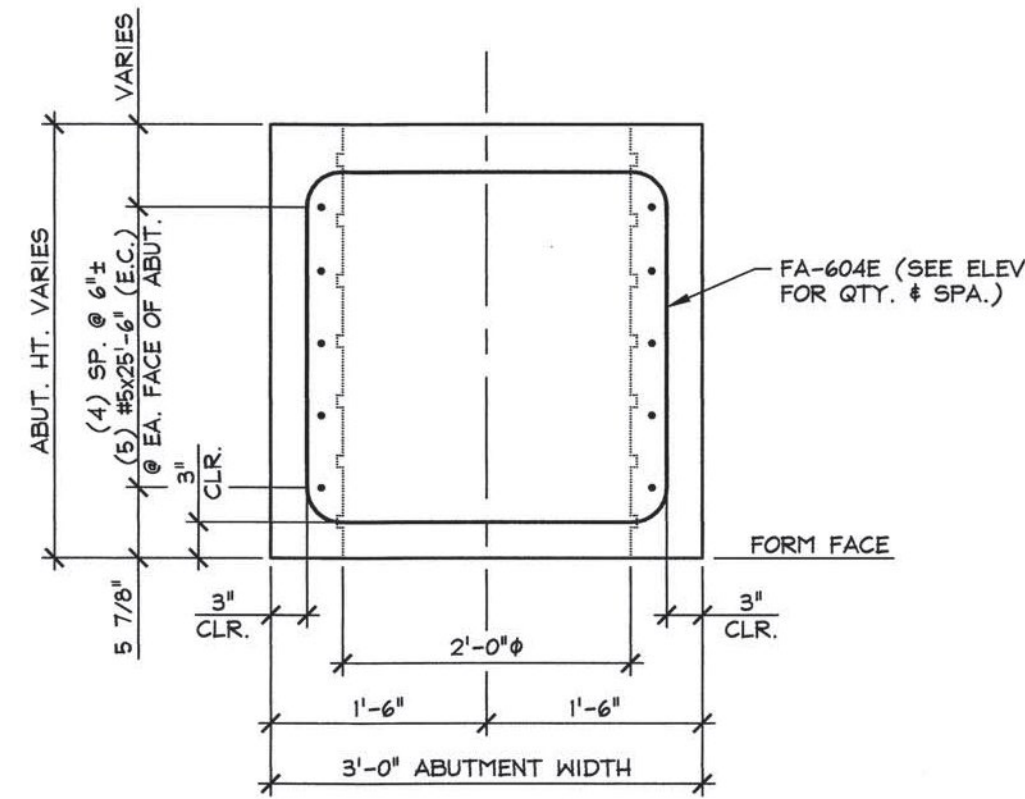


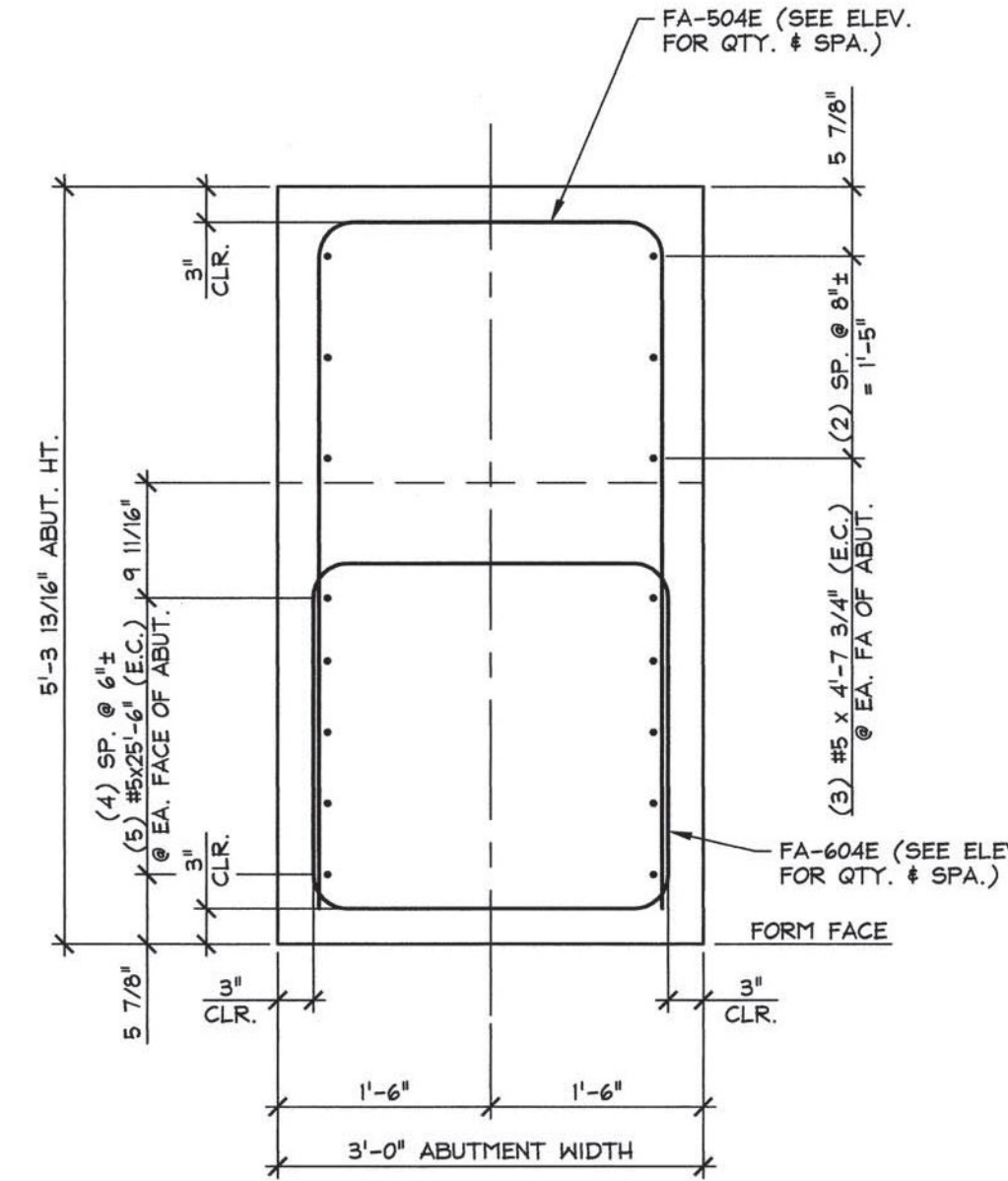
1 REINFORCING ELEVATION VIEW IN FORM
AB2.1
1/2" = 1'-0"



A ABUTMENT SECTION
AB2.1
3/4" = 1'-0"



B ABUTMENT SECTION
AB2.1
3/4" = 1'-0"



C ABUTMENT SECTION
AB2.1
3/4" = 1'-0"

Vermont Agency of Transportation
RECEIVED

CK'D BY RK/JW OK'D BY RY

February 12, 2015

RESUBMIT No Approved
BY RY DATE 02/12/2015

2-10-15 REVISED PER VT AOT COMMENTS

MARK: FA-AB3		QTY.: 1	
MATERIAL LIST / ABUTMENT			
ITEM	MARK	DESCRIPTION	QTY.
1	FA-503E	#5 BENT BAR (LEVEL 1, EPOXY COATED)	6
2	FA-504E	#5 BENT BAR (LEVEL 1, EPOXY COATED)	6
3		#5 x 25'-6" (LEVEL 1, EPOXY COATED)	10
4		#5 x 4'-7 3/4" (LEVEL 1, EPOXY COATED)	10
5			
6	FA-604E	#6 BENT BAR (LEVEL 1, EPOXY COATED)	40
7			
8			
9			
10			

APPROVAL STAMP:

J.P. CARRARA & SONS INC.
Precast & Prestress Manufacturer
244 CASE ST., MIDDLEBURY, VERMONT 05753 Phone: (802)388-6361 Fax: (802)388-9010

A.L. St. ONGE
CONTRACTOR
MONTMERY, VERMONT

STATE OF VERMONT AGENCY OF TRANSPORTATION
COUNTY OF FRANKLIN

DATE: NOV. 10, 2014

SCALE: NOTED

TOWN OF FAIRFIELD
ELM BROOK ROAD, TOWN HIGHWAY 47 (CLASS B)
BRIDGE NO.: 46 PROJECT NO.: BRO 1448(41)

CHKD: B.C. DFTM: B.L.

JOB NO: 23446-014

PRECAST ABUTMENT
REINFORCING DETAILS

DWG. NO: AB2.1