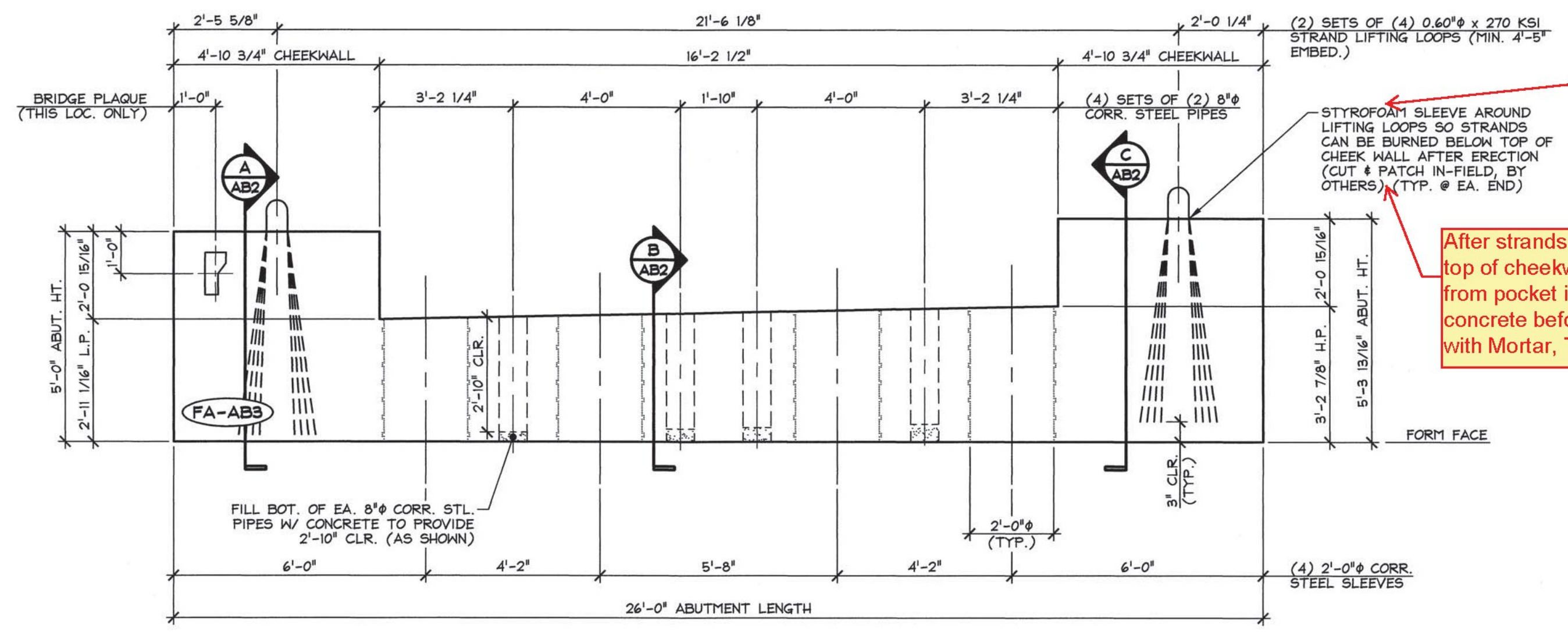


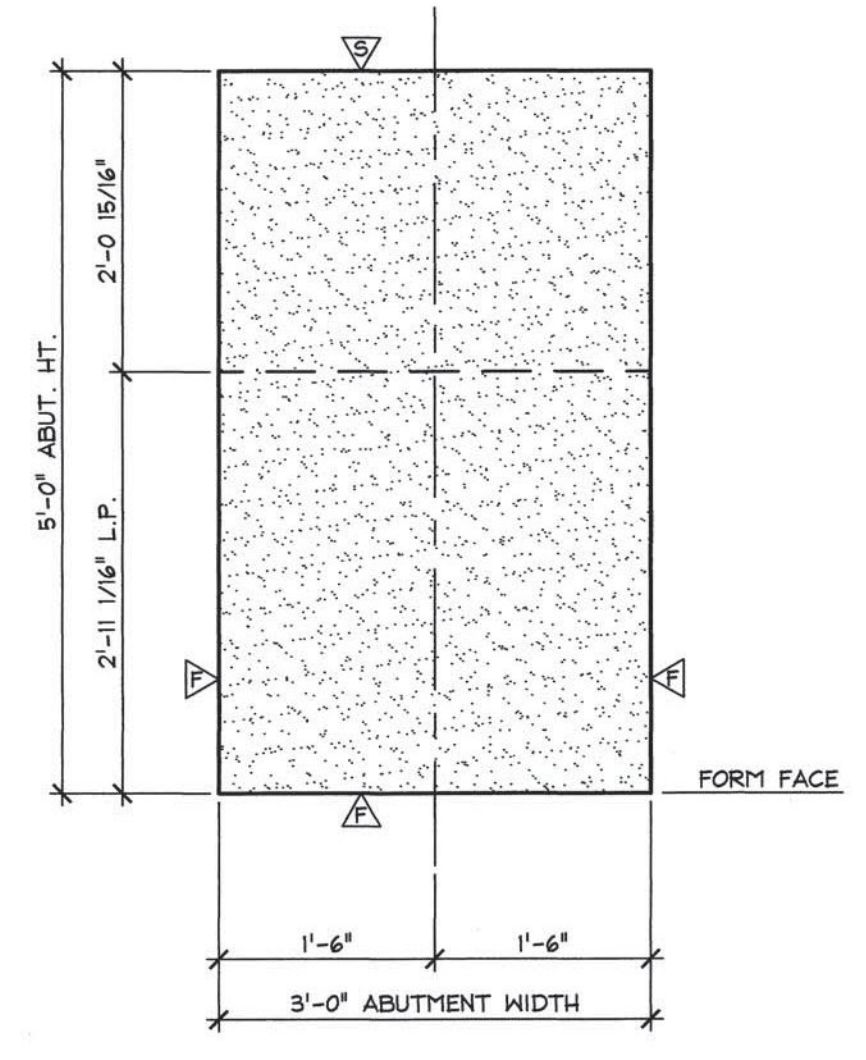
1 DIMENSIONAL PLAN VIEW IN FORM  
AB2 3/8" = 1'-0"



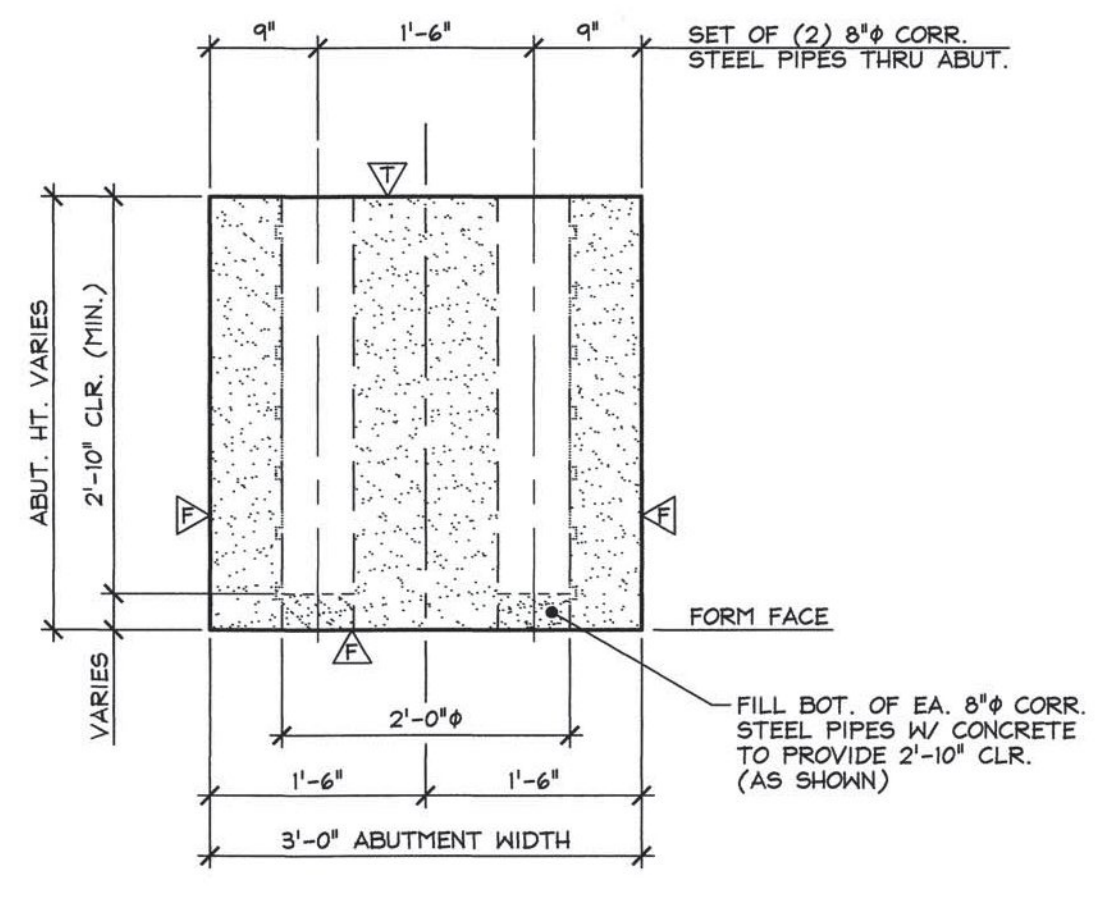
2 DIMENSIONAL ELEVATION VIEW IN FORM  
AB2 3/8" = 1'-0"

Pocket shall be deep enough so strands can be cut a minimum of 3" below top of cheek wall

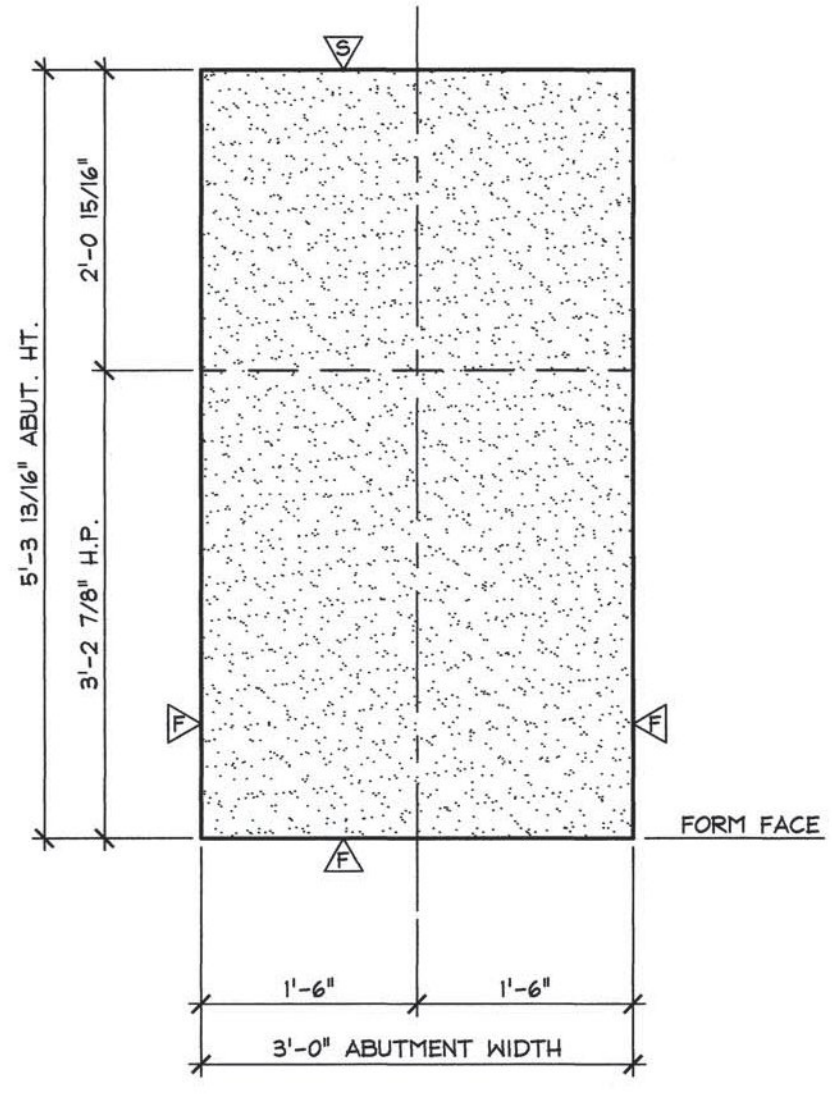
After strands are cut 3" below top of cheekwall, clean all debris from pocket including any loose concrete before filling pocket with Mortar, Type IV



A ABUTMENT SECTION  
AB2 3/4" = 1'-0"



B ABUTMENT SECTION  
AB2 3/4" = 1'-0"



C ABUTMENT SECTION  
AB2 3/4" = 1'-0"

- △ DENOTES FORM FINISH
- △ DENOTES FLOAT FINISH
- △ DENOTES SMOOTH TROCHEL FINISH

Vermont Agency of Transportation  
**RECEIVED**  
CK'D BY RK/JW OK'D BY RY  
February 12, 2015  
RESUBMIT No Approved AsNoted  
BY RY DATE 02/12/2015  
△ 2-10-15 REVISED PER VT AOT COMMENTS

MARK: FA-ABS	QTY.: 1	WT.: 19.12 T	VOL.: 9.44 cy
MATERIAL LIST / ABUTMENT			
ITEM	MARK	DESCRIPTION	QTY.
1			
2			
3			
4			
5			
6		BRIDGE PLAQUE (SUPPLIED BY OTHERS)	1
7		SET OF (4) 0.60" x 270 KSI STRAND LIFTING LOOPS	2
8		8" x 3'-2" (MAX.) CORRUGATED STEEL SLEEVE (GALV.)	8
9		2'-0" x 3'-2 3/4" CORRUGATED STEEL SLEEVE (GALV.)	4
10			

APPROVAL STAMP:	J.P. CARRARA & SONS INC. Precast & Prestress Manufacturer 2464 GAGE STR., MIDDLEBURY, VERMONT 05753 Phone:(802)388-6361 Fax:(802)388-8010	A.L. St. ONGE CONTRACTOR MONTMERY, VERMONT
STATE OF VERMONT AGENCY OF TRANSPORTATION COUNTY OF FRANKLIN		DATE: NOV. 10, 2014
TOWN OF FAIRFIELD ELM BROOK ROAD, TOWN HIGHWAY 47 (CLASS 3) BRIDGE NO.: 46 PROJECT NO.: BRO 144B(41)		SCALE: NOTED
PRECAST ABUTMENT DIMENSIONAL DETAILS		CHKD: B.C. DFTM: B.L. JOB NO: 23446-014 DWG. NO: AB2