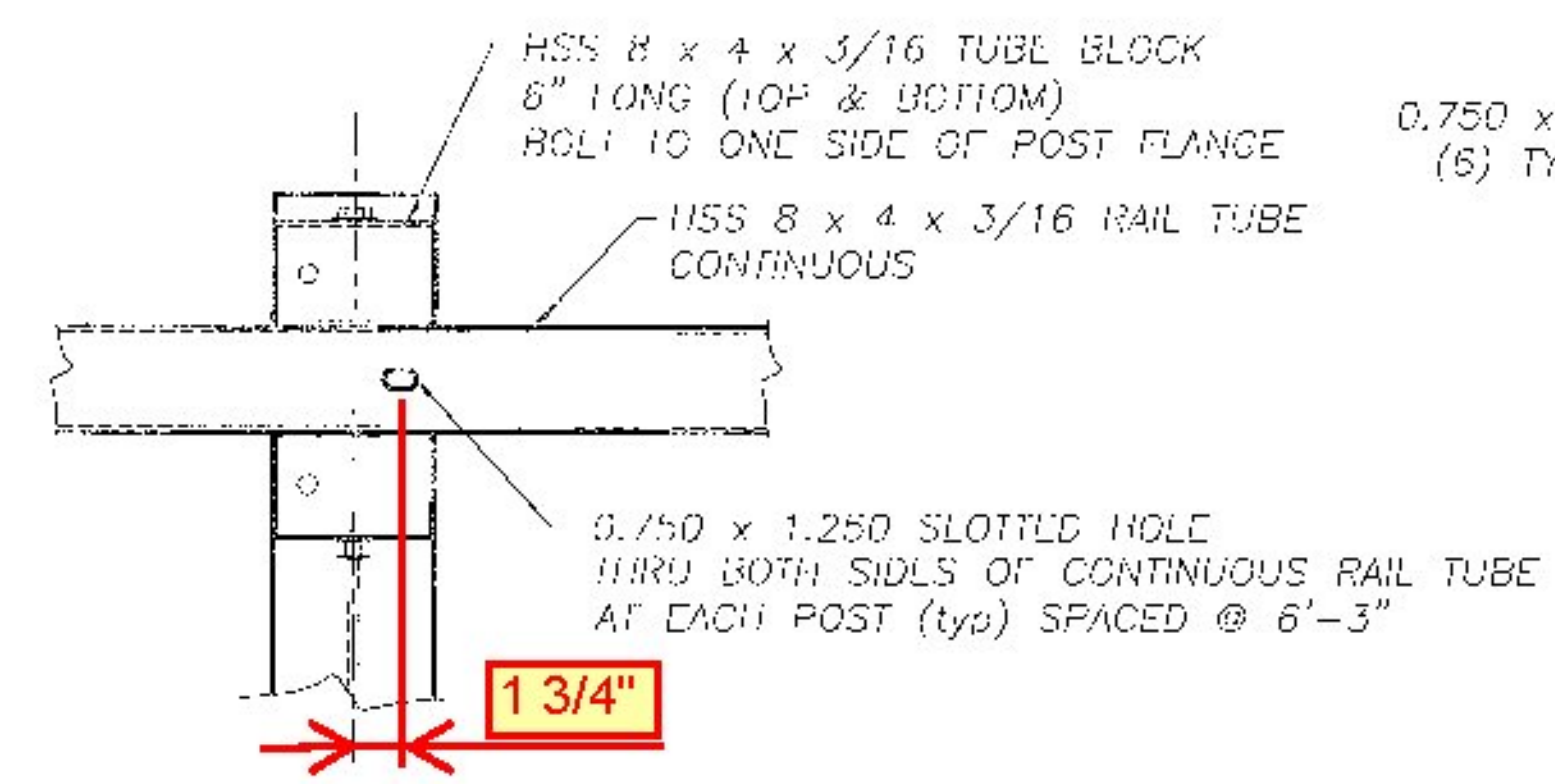
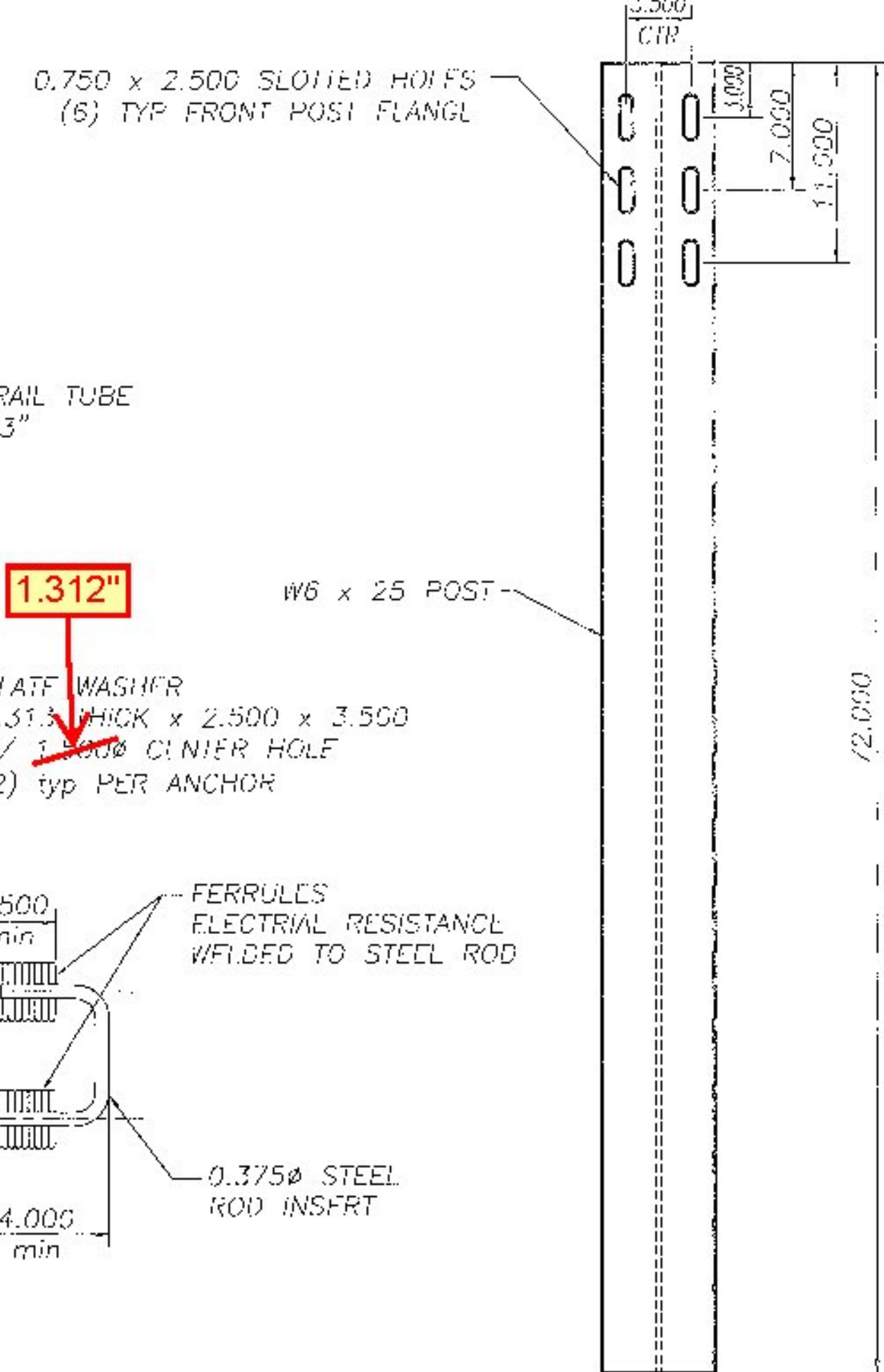


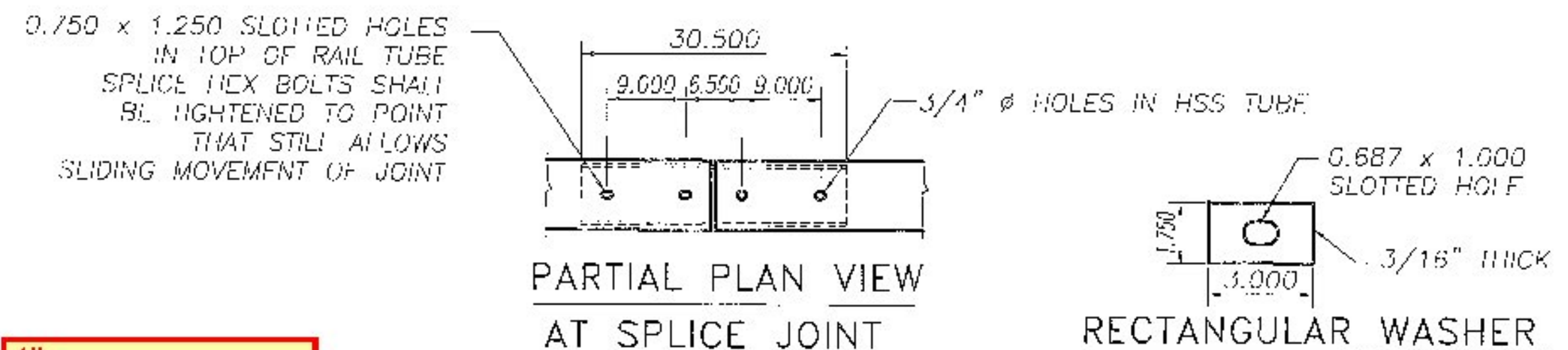
POST DETAIL
TYPICAL ALL FASCIA POSTS



PARTIAL ELEVATION
SHOWING RAIL AND BLOCK
ASSEMBLY TO POST
HSSB RAIL NOT SHOWN FOR CLARITY

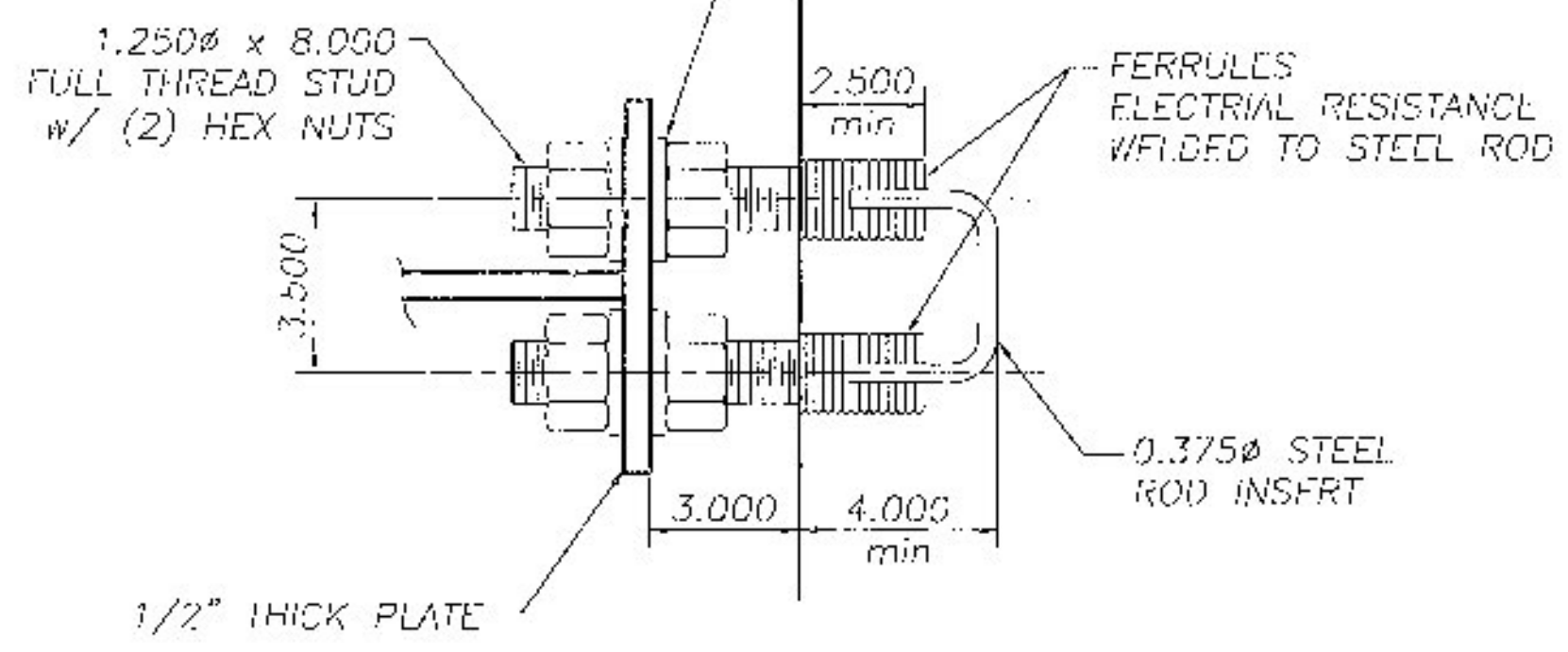


POST ELEVATION
DRIVEN POST #1

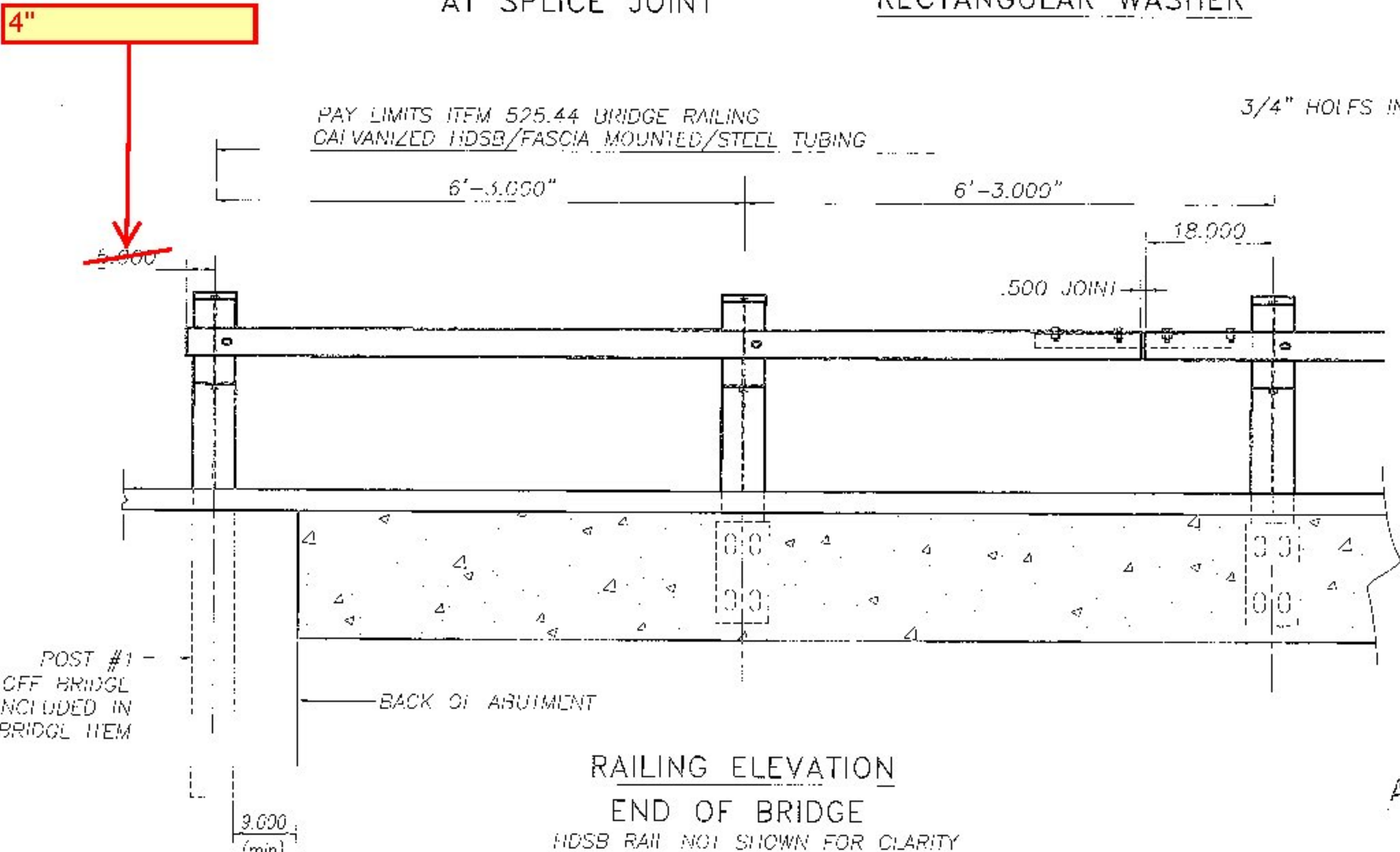


PARTIAL PLAN VIEW
AT SPLICE JOINT

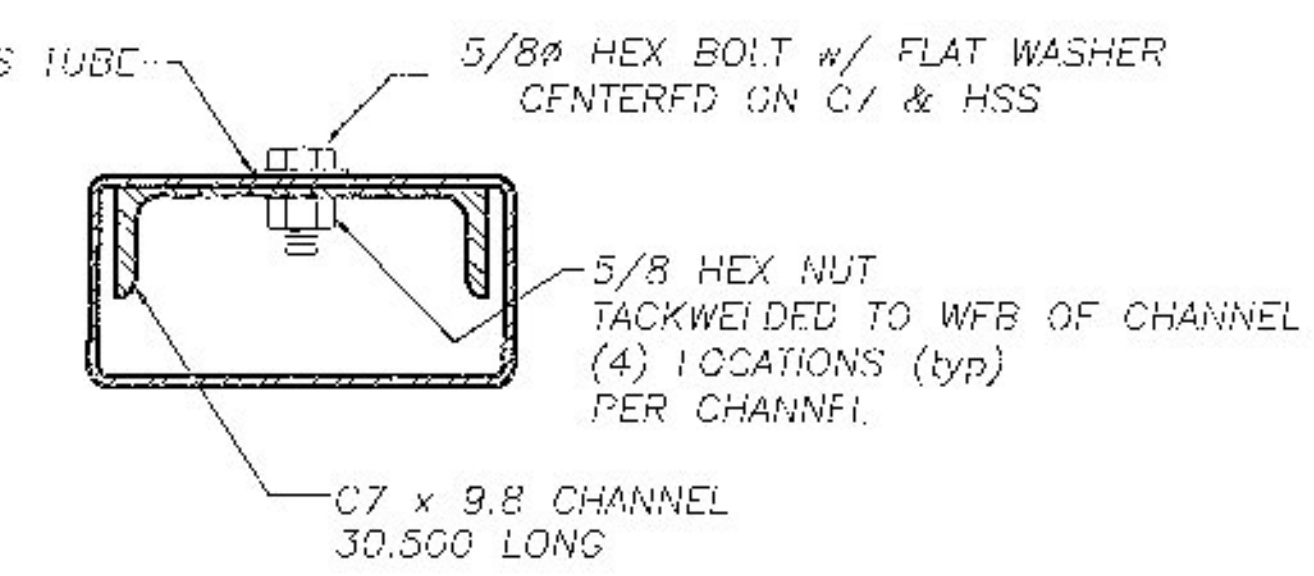
RECTANGULAR WASHER



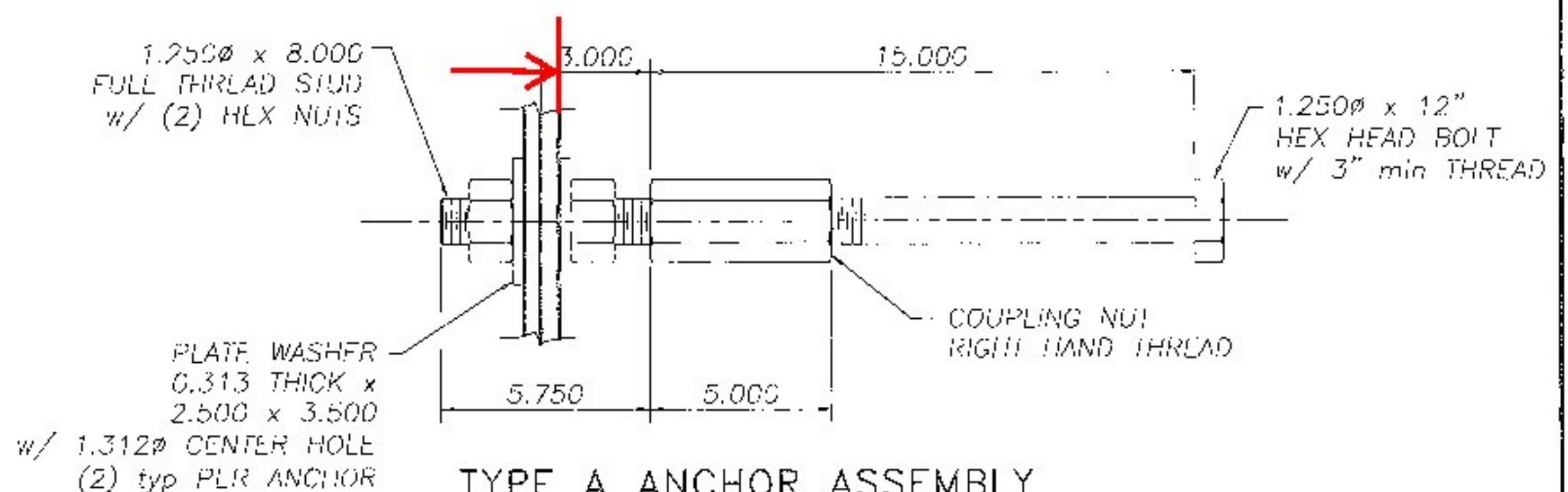
TYPE B ANCHOR ASSEMBLY
(1) PER POST
(BY OTHERS)



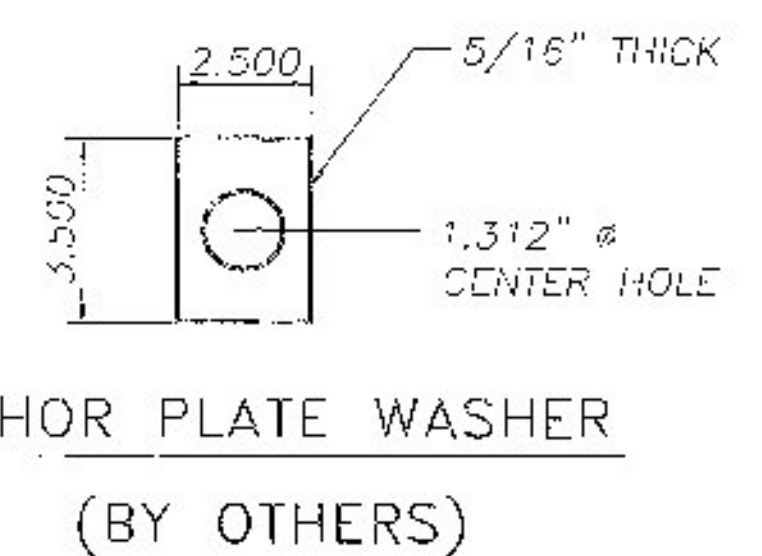
RAILING ELEVATION
END OF BRIDGE
HSSB RAIL NOT SHOWN FOR CLARITY



SECTION THRU 8x4 RAIL
AT SPLICE JOINT



TYPE A ANCHOR ASSEMBLY
(2) PER POST
(BY OTHERS)



ANCHOR PLATE WASHER
(BY OTHERS)

NOTES

1. ALL WORK AND MATERIALS SHALL CONFORM TO SECTION 525
2. TYPE B ANCHOR INSRTS OF A DIFFERENT TYPE MAY BE PROVIDED, IF APPROVED BY THE ENGINEER
3. PRIOR TO GALVANIZING THE ASSMBLED POST, GRIND ALL EDGES TO A MINIMUM 1/16\"/>
- 4. ALL POSTS SHALL BE SET NORMAL TO GRADE
- 5. SPLICES FOR THE STEEL BEAM GUARDRAIL SHALL LAP IN THE DIRECTION OF TRAFFIC
- 6. A RAILING JOINT SPLICE SHALL BE PROVIDED IN ANY RAIL BAY SPANNING THE END OF AN INTEGRAL ABUTMENT BRIDGE AND AT ALL SUPERSTRUCTURE EXPANSION JOINTS
- 7. SEE VDOT STANDARD DRAWING G-1 FOR DETAILS OF DELINEATORS. A DELINEATOR SHALL BE INSTALLED AT 30 FT SPACING OR THE NEAREST POST, WHICH IS TO BE INSTALLED ON THE DRIVERS RIGHT, FOR ONE WAY BRIDGES, YELLOW IS TO BE INSTALLED ON THE DRIVERS LEFT, DELINEATORS PROVIDED BY OTHERS.
- 8. FOR RADIUS LESS THAN 950 FEET, HSS 8 X 4 TUBES SHALL BE SHOP BENT TO FIT THE APPLICABLE CURVE
- 9. THE MINIMUM DISTANCE FROM THE LAST POST TO THE END OF SLAB IS 1' 6"
- 10. FERRULES SHALL BE 12L14 COLD DRAWN CARBON STEEL
- 11. HOLES IN THE RAIL FOR RAIL TUBE ATTACHMENT MAY BE FIELD DRILLED. FIELD DRILLED HOLES SHALL BE COATED WITH AN APPROVED ZINC RICH PAINT PRIOR TO INSTALLATION
- 12. THIS RAILING MEETS THE REQUIREMENTS FOR A II-2 SERVICE LEVEL.
- 13. ALL METAL PARTS SHALL BE HOT DIPPED GALVANIZED.

<p>Vermont Agency of Transportation RECEIVED</p> <p>CK'D BY RK/JC OK'D BY RY</p> <p>February 20, 2015</p> <p>RESUBMIT No Approved AsNoted BY RY DATE 03/09/2015</p>		<p>HIGHWAY SAFETY CORP GLASTONBURY, CT 860-633-9445</p>	
<p>ITEM 525.44 BRIDGE RAILING GALVANIZED FASCIA MOUNTED HSSB STEEL TUBE</p>		<p>CERTIFIED FABRICATOR</p>	
<p>BRIDGE NO. 46 ELM BROOK TH 47 BRO 1448(41) FAIRFIELD VERMONT</p>		<p>HSSB JOB NO. 2051 SHEET NO. 3 of 3</p>	
<p>GENERAL CONTRACTOR LAFAYETTE</p>		<p>DATE 02-17-15</p>	