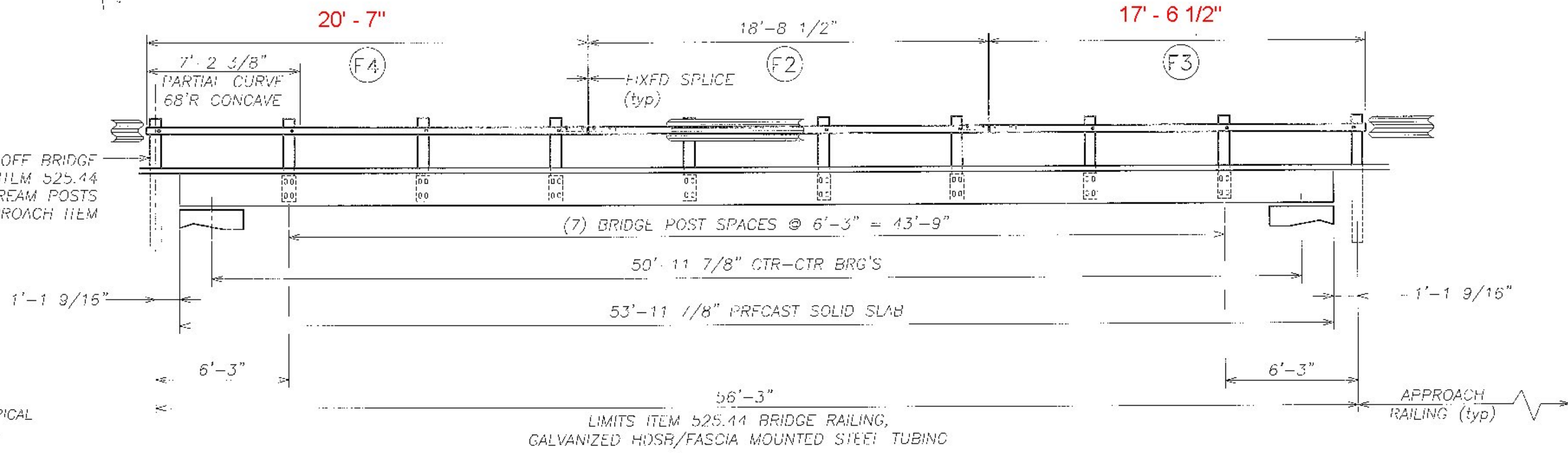


SIA. 19+59.00
CL. BRG
ABUT #1

SIA. 19+63.15
PT. CURVE #2
60'R @ CL ROADWAY



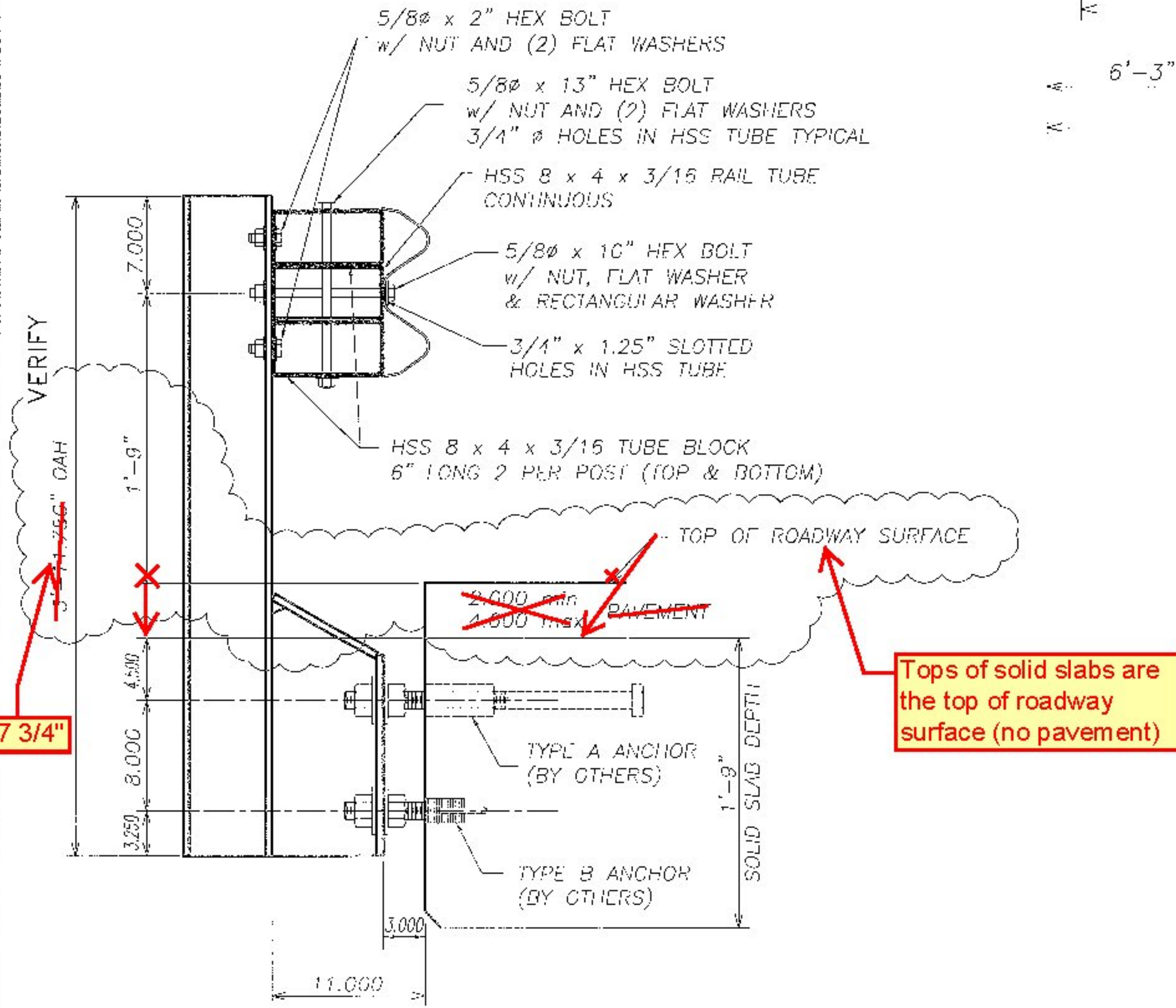
PLAN VIEW



NORTHEAST RAILING ELEVATION
BRIDGE NO. 46

LOOKING AT FACE OF RAIL FROM CENTERLINE OF ROAD
PORTIONS OF HDSB W-BEAM RAIL AND TUBULAR BLOCKS HAVE BEEN REMOVED FROM THIS VIEW FOR CLARITY

FIRST DRIVEN POST OFF BRIDGE
INCLUDED IN ILM 525.44
ALL ADDITIONAL DOWN STREAM POSTS
INCLUDED IN APPROACH ITEM



SECTION
THRU RAILING

No.	Remarks	Date
0	Initial submittal	
REVISIONS		

Vermont Agency of Transportation
RECEIVED
CK'D BY RK/JC OK'D BY RY
February 20, 2015
RESUBMIT No Approved AsNoted
BY RY DATE 03/09/2015

HIGHWAY SAFETY CORP
GLASTONBURY, CT
860-633-9445
ITEM 525.44 BRIDGE RAILING
GALVANIZED FASCIA MOUNTED HDSB STEEL TUBE
BRIDGE NO. 46 ELM BROOK TH 47 BRD 1448(4')
FAIRFIELD VERMONT
2031
1 of 3