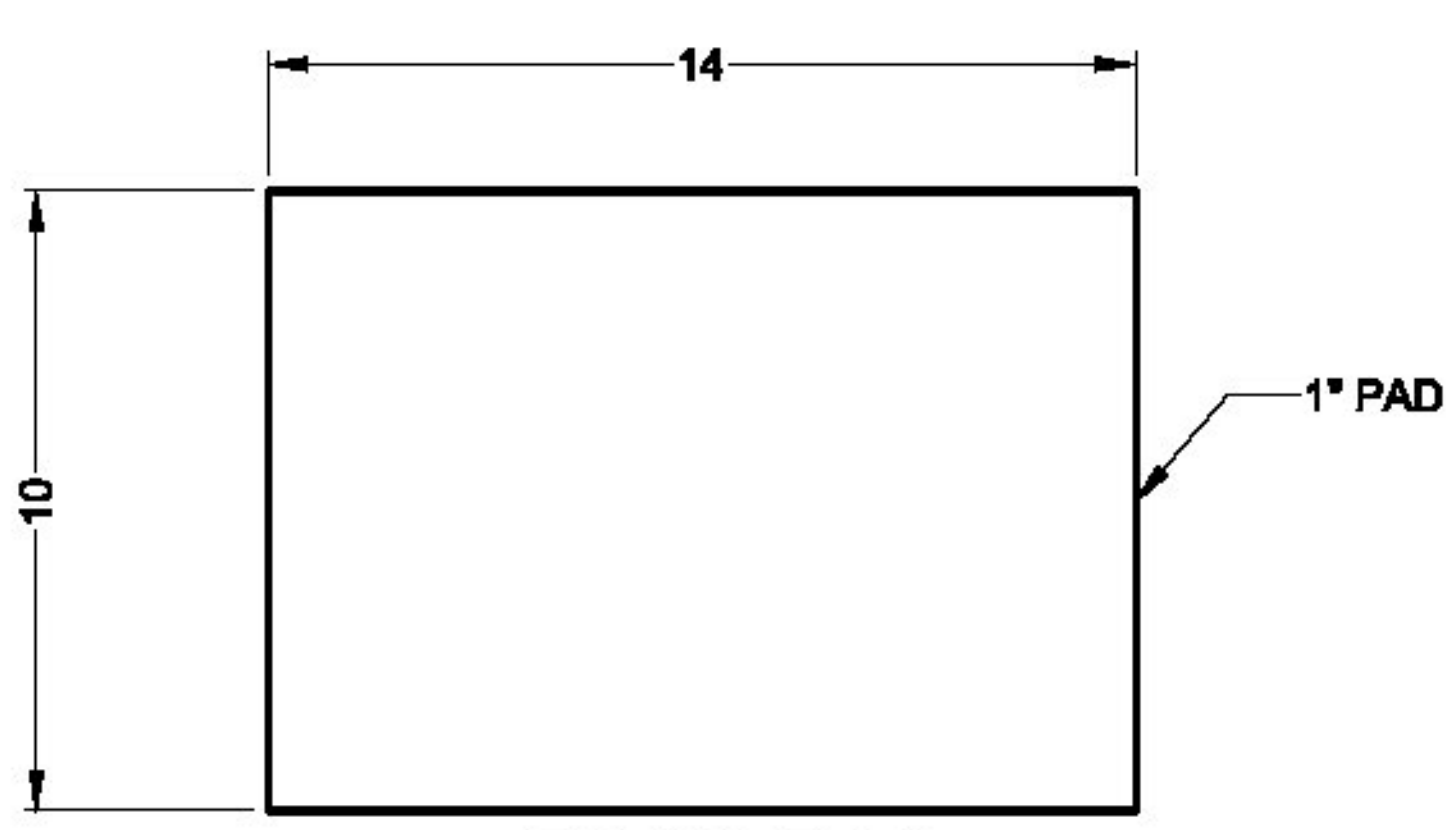
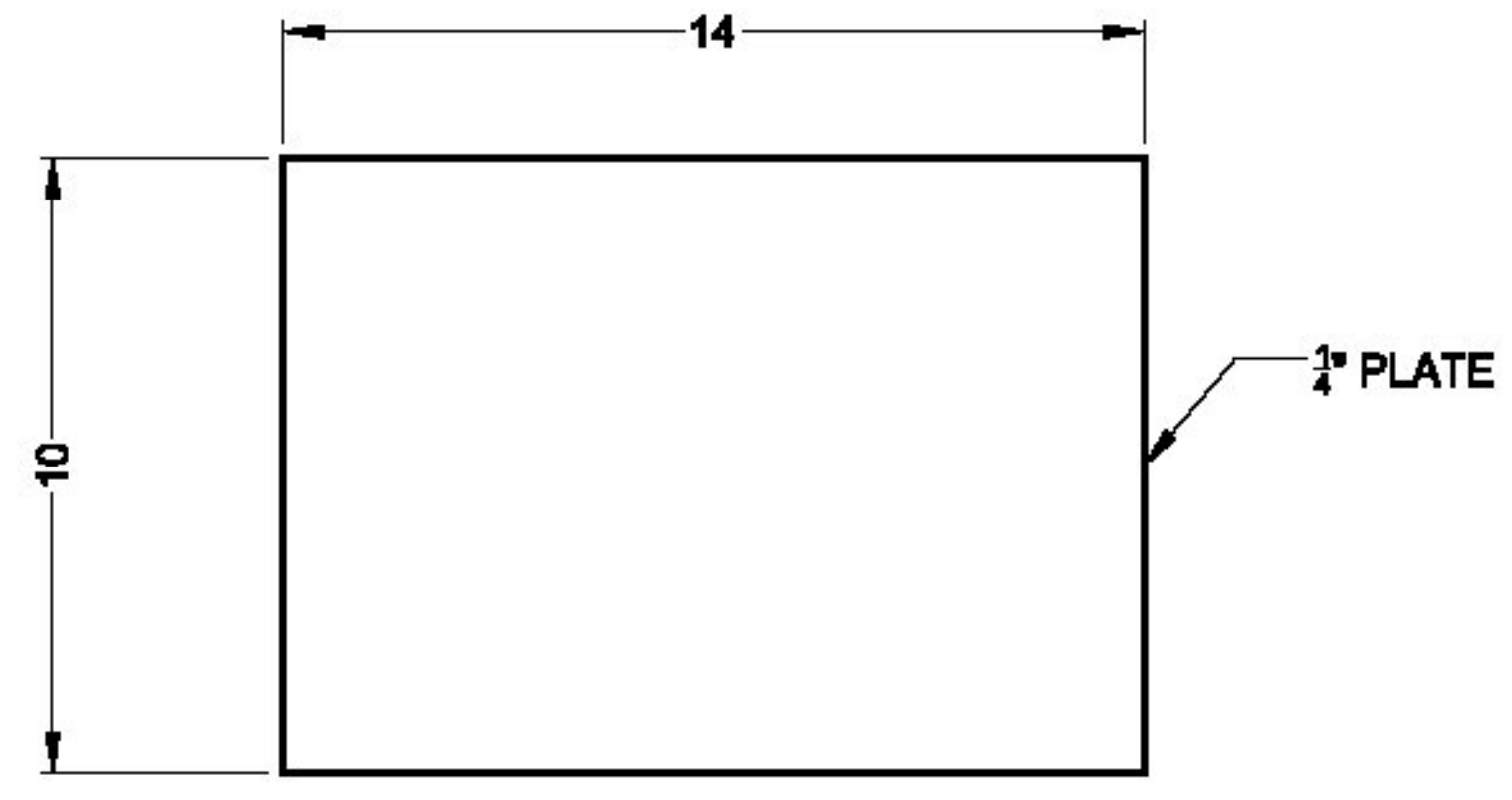


REVISIONS					
ZONE	REV	DESCRIPTION	REVISED BY	DATE	APPROVED
--	A	PER ENGINEERS MARKS	EG	1/27/15	BF



**PLAN PAD  
PLAN VIEW**

QTY. REQ'D. = 16  
AASHTO GRADE 50 DUROMETER

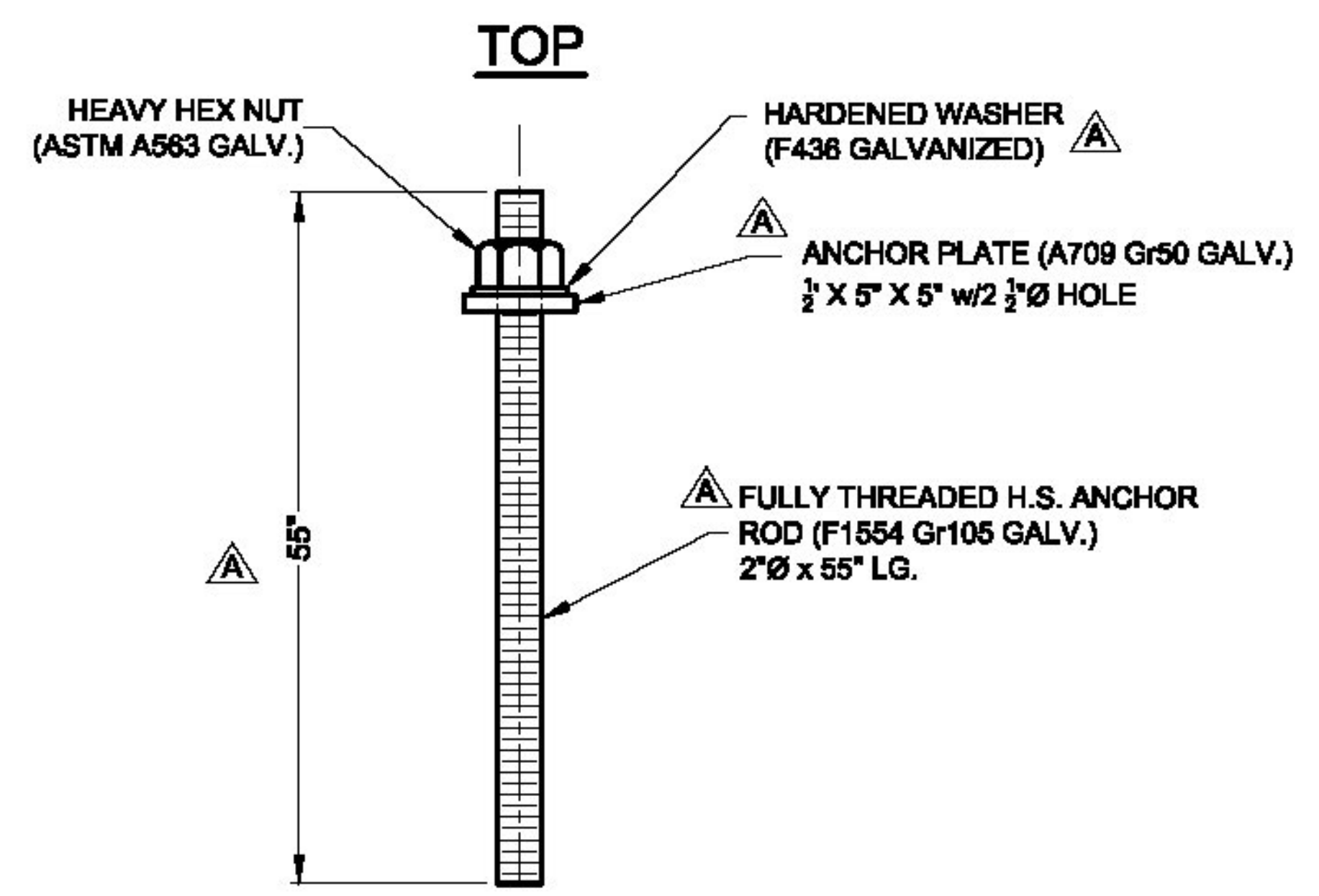


**GALVANIZED SHIM PLATE  
PLAN VIEW**

QTY. REQ'D. = 16  
ASTM A709 GR50

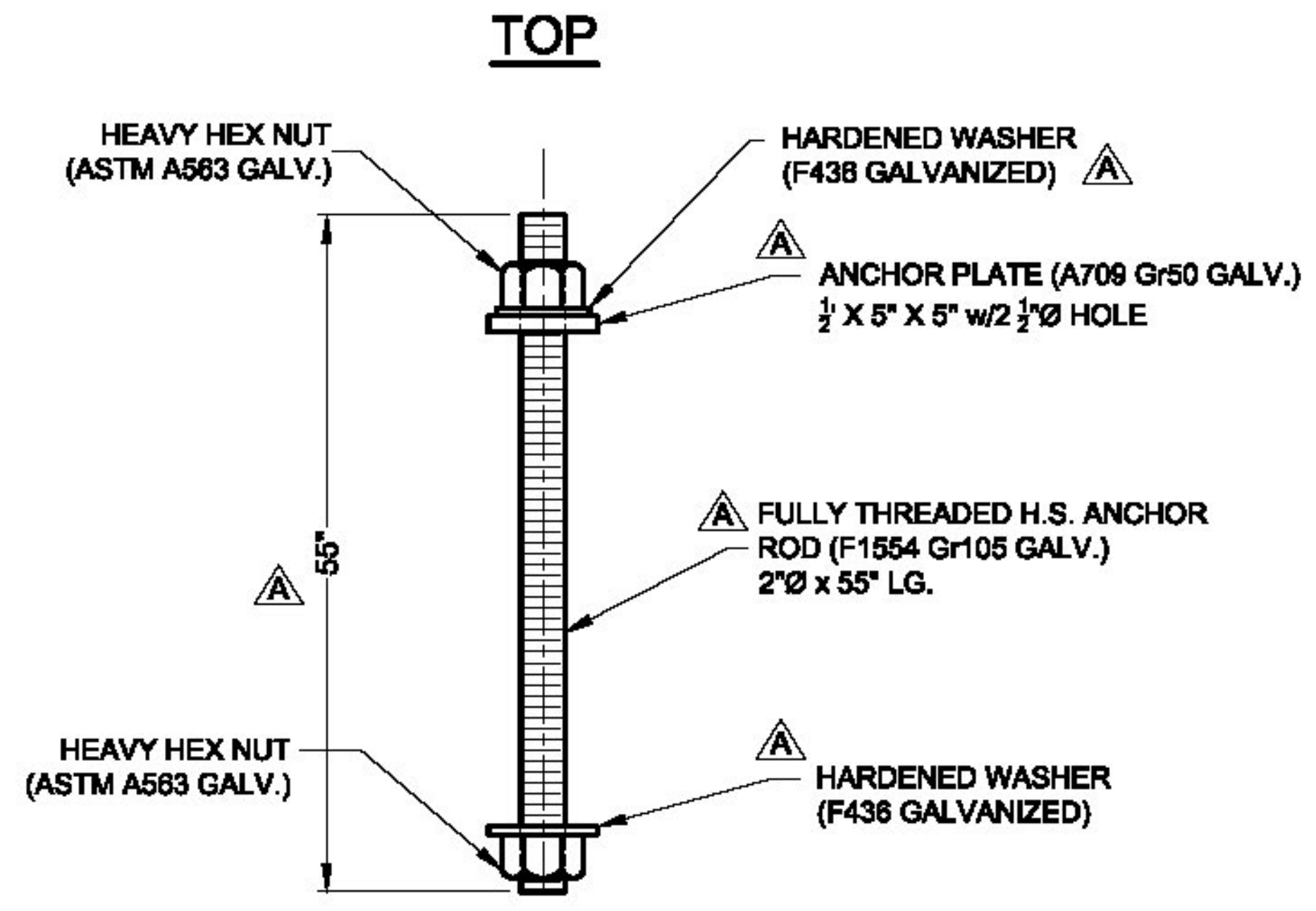
- NOTES:
- MANUFACTURING FACILITY LOCATION:  
AMSCOT STRUCTURAL PRODUCTS CORP.  
241 E. BLACKWELL STREET  
DOVER, N.J. 07801  
CONTACT- PETER SOMOGYI  
PH: 973-989-8800  
FAX: 973-989-5851
  - ALL BEARING PADS TO BE MANUFACTURED IN ACCORDANCE WITH AASHTO SECTION 18. THE ELASTOMER SHALL BE GRADE 3 NATURAL RUBBER WITH A DUROMETER HARDNESS OF 50 ± 5, WITH A SHEAR MODULUS OF 110 PSI ± 15%.
  - ALL DIMENSIONS ARE IN INCHES, UNLESS OTHERWISE NOTED.
  - TOLERANCES: THICKNESS -0 +1/8  
PLAN -0 +1/8

<b>Inspection Block</b>	
<b>Initial Dim. Check</b>	
Sign: _____	Date: _____
<b>In Process Dim. Chk.</b>	
Sign: _____	Date: _____
<b>100% Visual Weld Insp.</b>	
Sign: _____	Date: _____
<b>Point Insp.(see form)</b>	
Sign: _____	Date: _____
<b>Final Inspection</b>	
Sign: _____	Date: _____



**ANCHOR BOLT DETAIL**

QTY. REQ'D = 16 ASSY.



**ANCHOR BOLT DETAIL**

QTY. REQ'D = 16 ASSY.

AT PILE CAVITY LOCATIONS ONLY

Vermont Agency of Transportation  
**RECEIVED**  
CK'D BY RK OK'D BY RY  
January 29, 2015  
RESUBMIT No Approved  
BY RY DATE 02/10/2015

FAIRFIELD BRO 1448(41) VERMONT AGENCY OF TRANSPORTATION		
FEDERAL PROJECT NO. :		
CONTRACT NO. :	PIN NO. :	
ELASTOMERIC PAD, SHIM & ANCHOR BOLT DETAILS		
<b>AMSCOT</b> STRUCTURAL PRODUCTS CORP.		
SCALE: N.T.S.	APPRVD:	DRAWN BY: E.J.G.
DATE: 1/13/15	BF	REVISION: 0
FOR: AL. ST. ONGE		
DWG NO: ASO15A2RO	SHEET 2 OF 2	