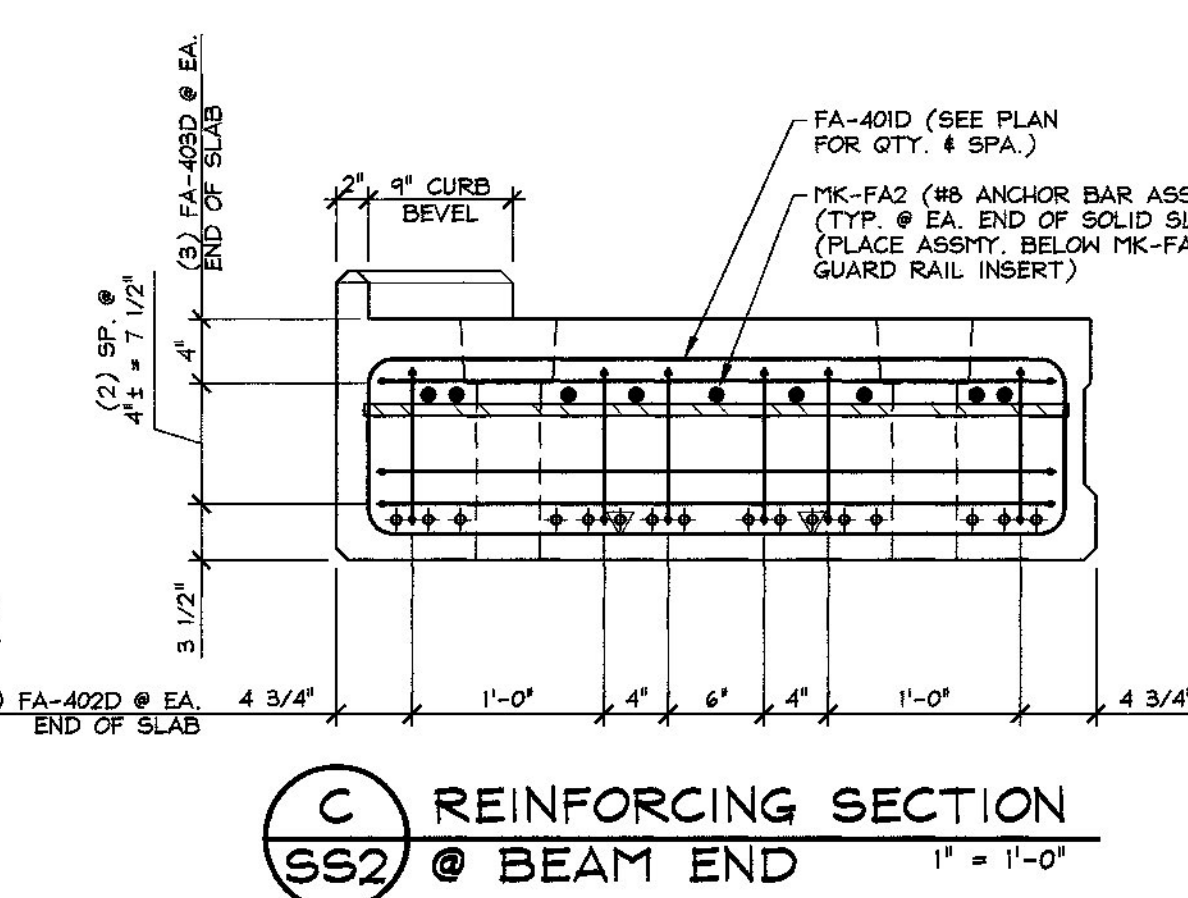
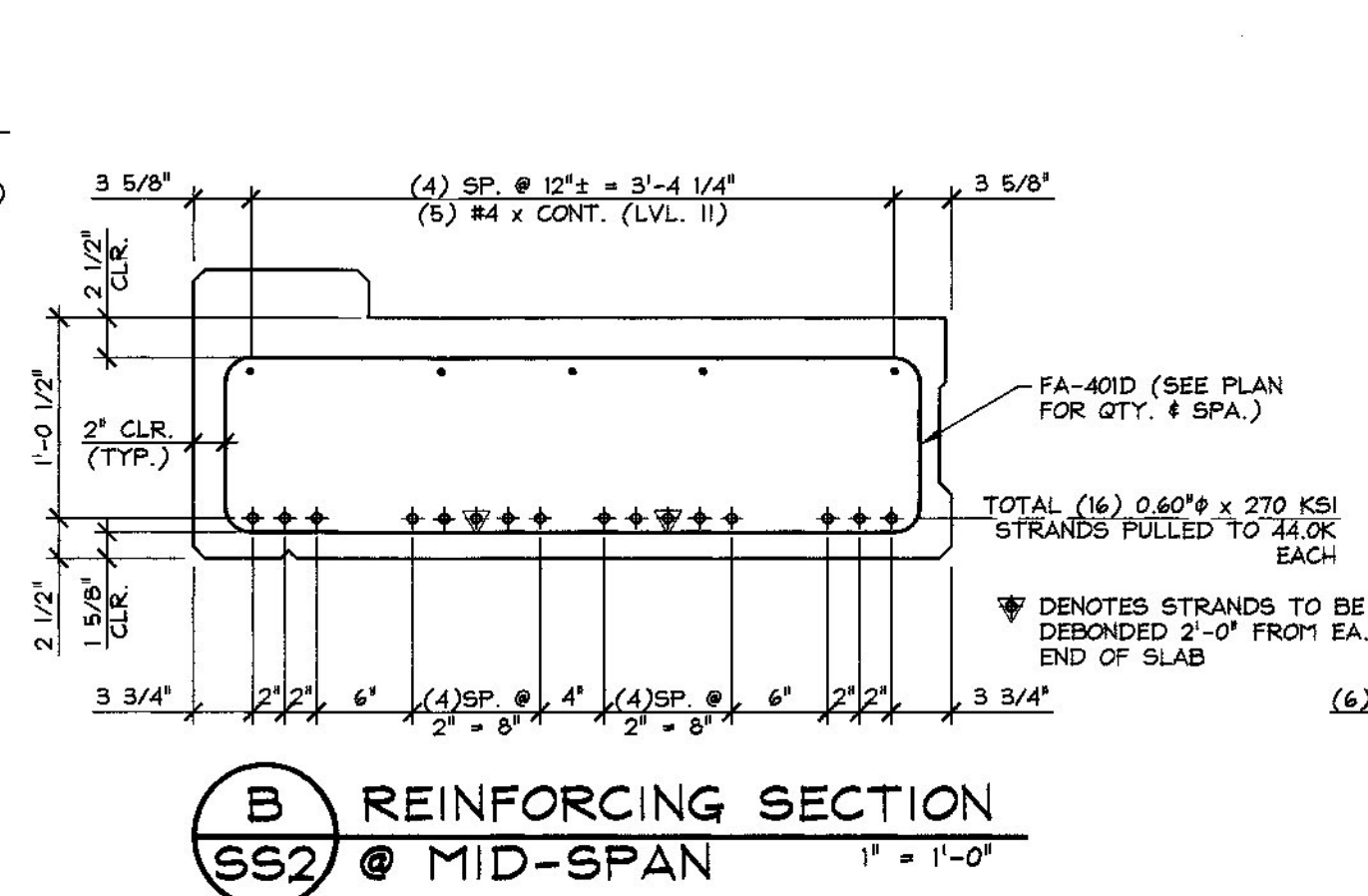
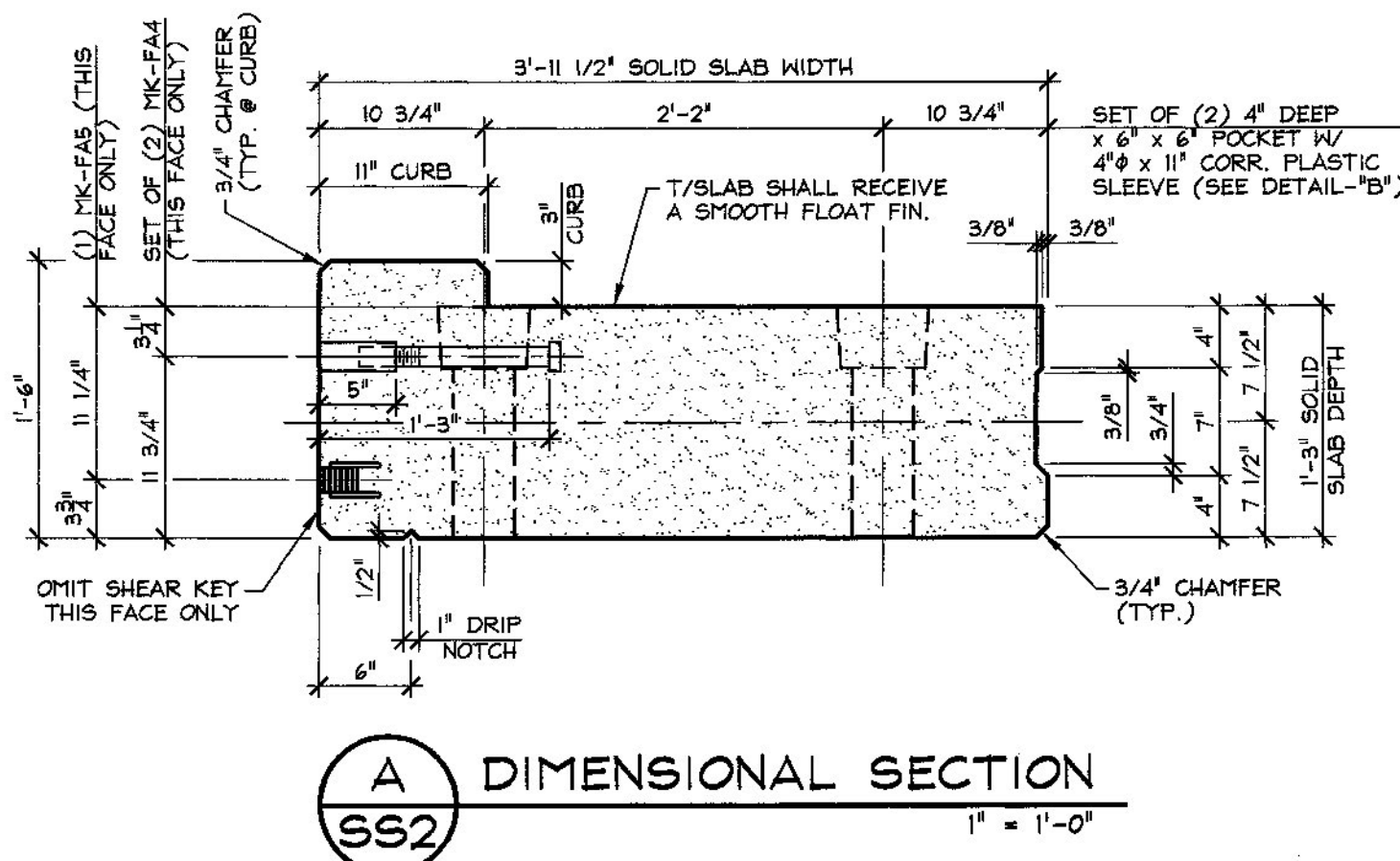


DETENSIONING SCHEDULE
 N.T.S.

1	3	5	7	9	11	13	15	16	14	12	10	8	6	4	2
---	---	---	---	---	----	----	----	----	----	----	----	---	---	---	---

Vermont Agency of Transportation
RECEIVED
 CK'D BY RK/JW OK'D BY RY
 February 12, 2015
 RESUBMIT No Approved AsNoted
 BY RY DATE 02/12/2015
 2-10-15 REVISED PER VT AOT COMMENTS

MARK: FA-SS2	QTY.: 2	WT.: 16.90 T	VOL.: 8.35 cy
MATERIAL LIST / SOLID SLAB			
ITEM	MARK	DESCRIPTION	QTY.
1	FA-401D	#4 BENT BAR (LEVEL II, DUAL COATED)	93
2	FA-402D	#4 BENT BAR (LEVEL II, DUAL COATED)	12
3	FA-403D	#4 BENT BAR (LEVEL II, DUAL COATED)	6
4		#4 x 36'-2" (LEVEL II, DUAL COATED)	5
5			
6	MK-FA2	ANCHOR BAR 3/4" THICK x 2 1/2" x 3'-8" (ASTM A36) W/ 4" x 11" CORR. PLASTIC SLEEVE (SEE DETAIL-"B") (TYP. @ EA. END OF SOLID SLAB)	2
7	MK-FA4	5" LG. SLEEVE NUT (GALV.) # 1 1/4" x 12" MACHINE BOLT (GALV.)	14
8	MK-FA5	2-BOLT FERRULE GUARD RAIL INSERT 1 1/4" x 7-UNC (GALV.)	7
9		8T x 10" SWIFT LIFT LIFTERS (GALV.)	4
10		4" x 11" CORRUGATED PLASTIC SLEEVE	8



APPROVAL STAMP:
 J.P. CARRARA & SONS INC.
 Precast & Prestress Manufacturer
 284 ONE STR. MONTAIRE, VERMONT 05753 Phone: (802)388-4361 Fax: (802)388-9010
 STATE OF VERMONT AGENCY OF TRANSPORTATION
 COUNTY OF FRANKLIN
 TOWN OF FAIRFIELD
 SOUTH ROAD, FAS 0281 (RURAL MAJOR COLLECTOR)
 BRIDGE NO.: 14 PROJECT NO.: BRF 0281(25)
 PRESTRESSED SOLID SLAB DETAILS
 DATE: NOV. 10, 2014
 SCALE: NOTED
 CHKD: B.C. DFTM: B.L.
 JOB NO: 23446-014
 DWG. NO: SS2