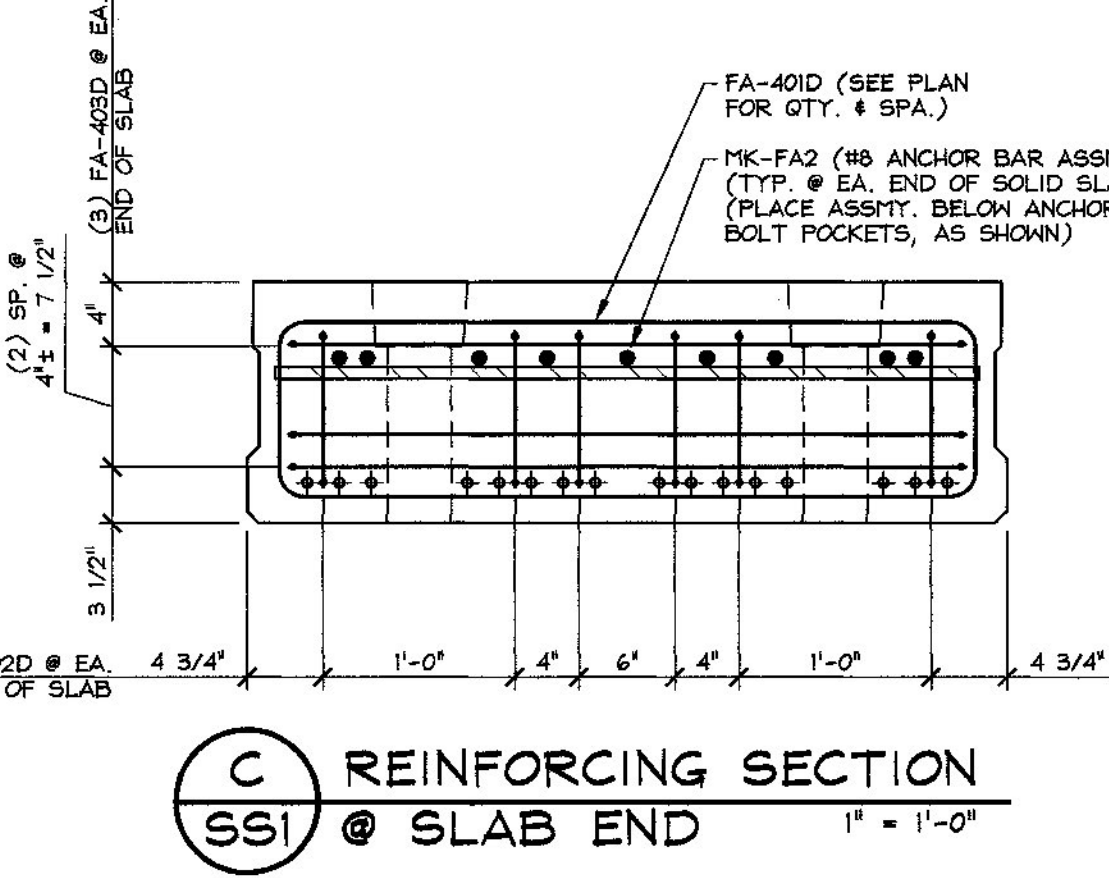
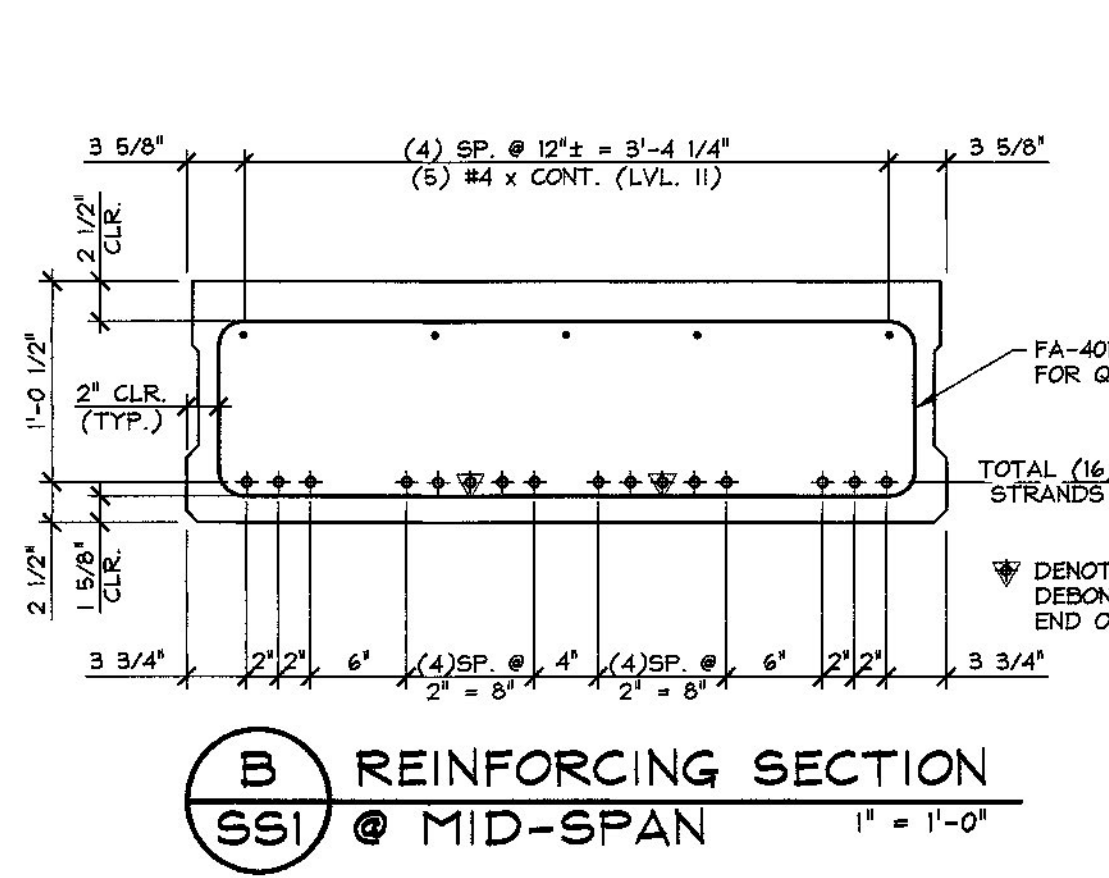
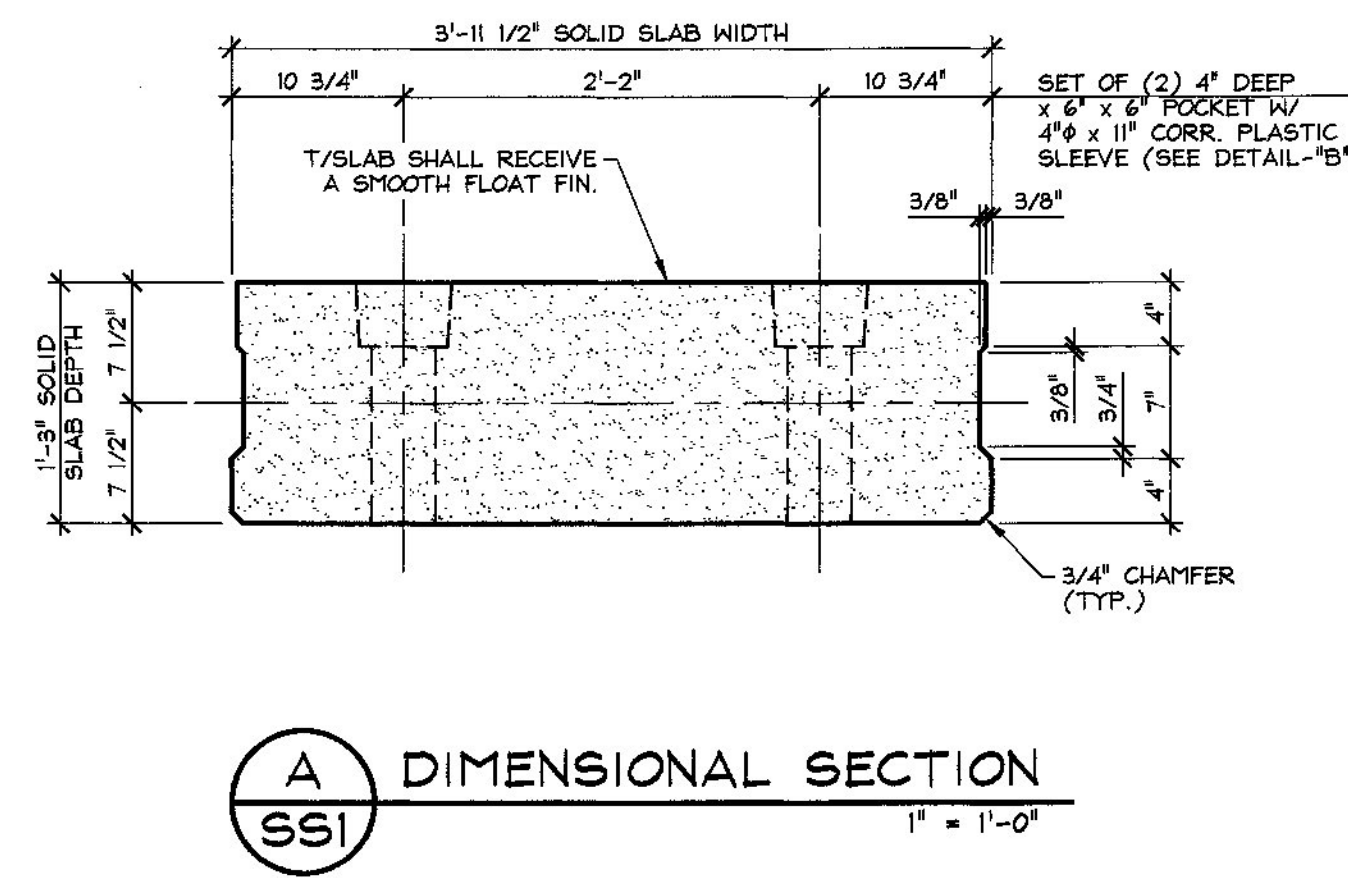


DETENSIONING SCHEDULE

N.T.S.

1	3	5	7	9	11	13	15	16	14	12	10	8	6	4	2
---	---	---	---	---	----	----	----	----	----	----	----	---	---	---	---



Vermont Agency of Transportation
RECEIVED
CK'D BY RKJW OK'D BY RY
February 12, 2015
RESUBMIT No Approved AsNoted
BY RY DATE 02/12/2015

2-10-15 REVISED PER VT AOT COMMENTS

MARK: FA-SSI	QTY.: 4	WT.: 16.02 T	VOL.: 7.91 cy
MATERIAL LIST / SOLID SLAB			
ITEM	MARK	DESCRIPTION	QTY.
1	FA-401D	#4 BENT BAR (LEVEL II, DUAL COATED)	93
2	FA-402D	#4 BENT BAR (LEVEL II, DUAL COATED)	12
3	FA-403D	#4 BENT BAR (LEVEL II, DUAL COATED)	6
4		#4 x 36'-2" (LEVEL II, DUAL COATED)	5
5			
6			
7			
8	MK-FA2	ANCHOR BAR 3/4" THICK x 2 1/2" x 3'-8" (ASTM A36) W/ (3) #8 x 12'-0" & (6) #8 x 6'-0" (ASTM A-706) (GALV. ASSMY.)	2
9		8T x 10' SHIFT LIFT LIFTERS (GALV.)	4
10		4" x 11" CORRUGATED PLASTIC SLEEVE	8

APPROVAL STAMP:

J.P. CARRARA & SONS INC.
Precast & Prestress Manufacturer
2464 GSE ST., MIDDLEBURY, VERMONT 05753 Phone: (802)388-6361 Fax: (802)388-8010

A.L. ST. ONGE
CONTRACTOR
MONTMERY, VERMONT

STATE OF VERMONT AGENCY OF TRANSPORTATION
COUNTY OF FRANKLIN

TOWN OF FAIRFIELD
SOUTH ROAD, FAS 0281 (RURAL MAJOR COLLECTOR)
BRIDGE NO.: 14 PROJECT NO.: BRF 0281(25)

DATE: NOV. 10, 2014
SCALE: NOTED
CHKD: B.C. DFTM: B.L.
JOB NO: 23446-014

PRESTRESSED SOLID SLAB DETAILS
DWG. NO: SSI