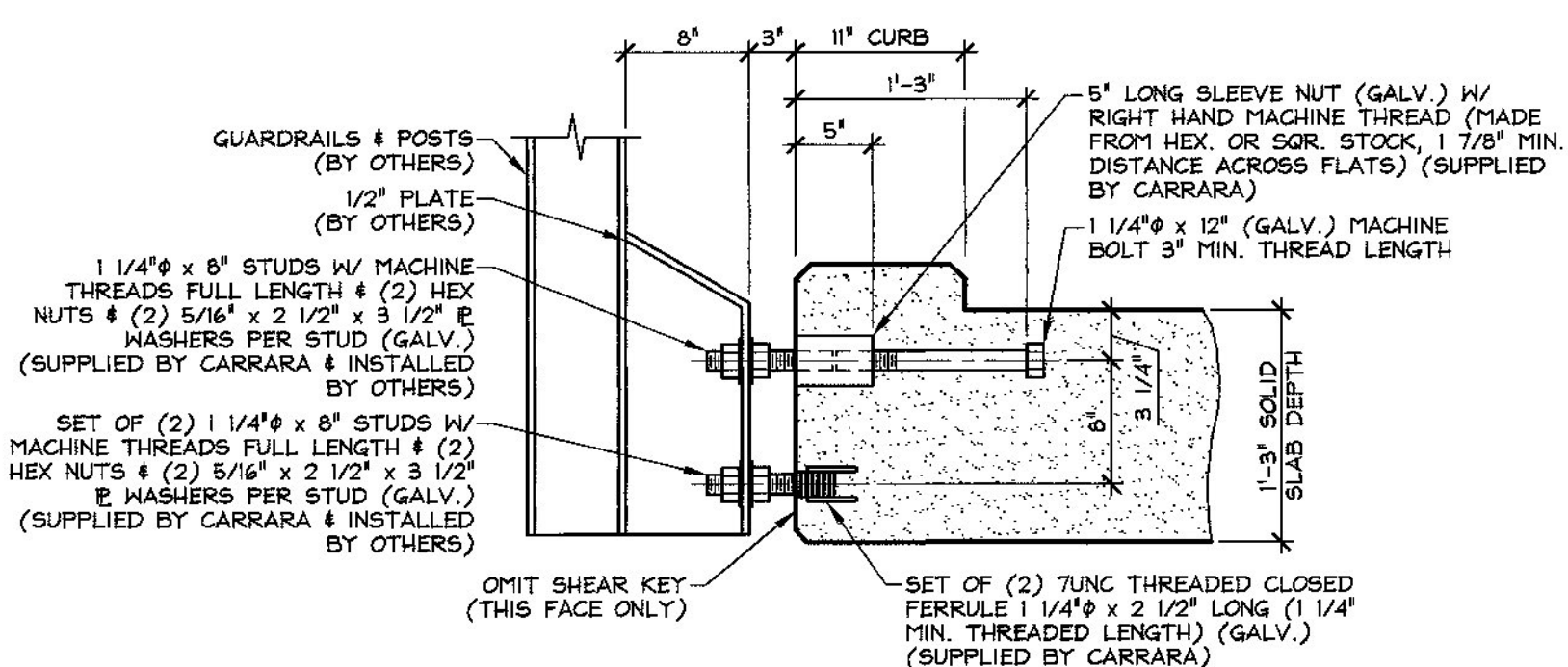
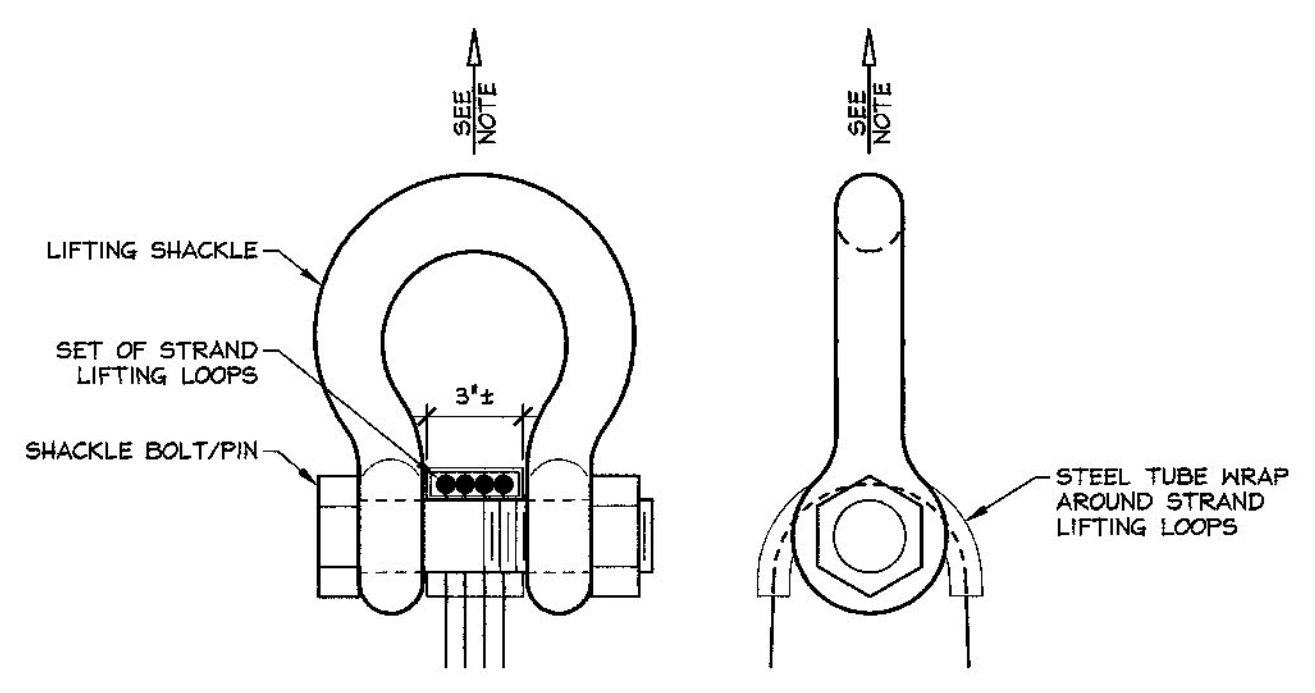


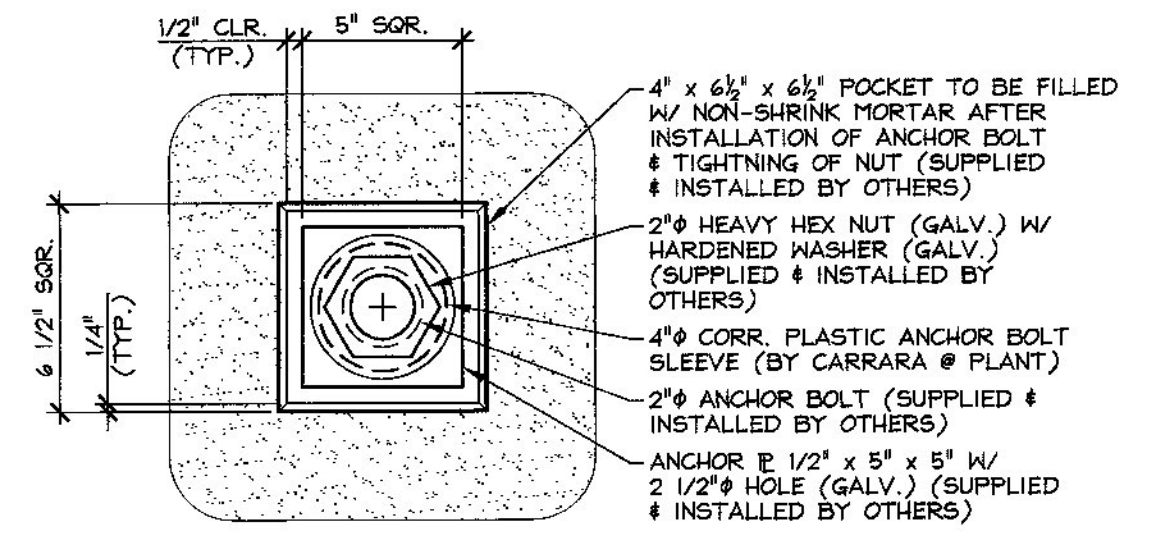
**A BEARING SECTION**  
 F4 3/4" = 1'-0"



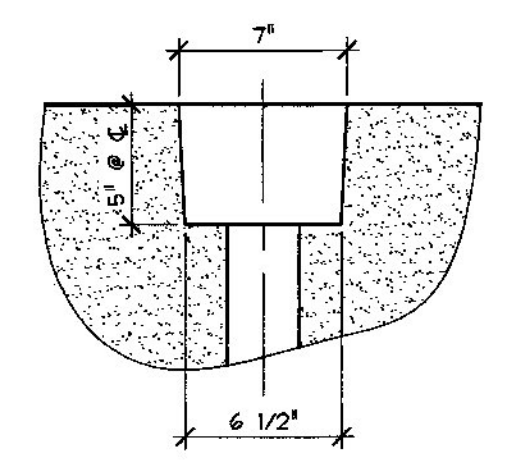
**B GUARDRAIL ANCHORAGE SECTION**  
 F4 1" = 1'-0"



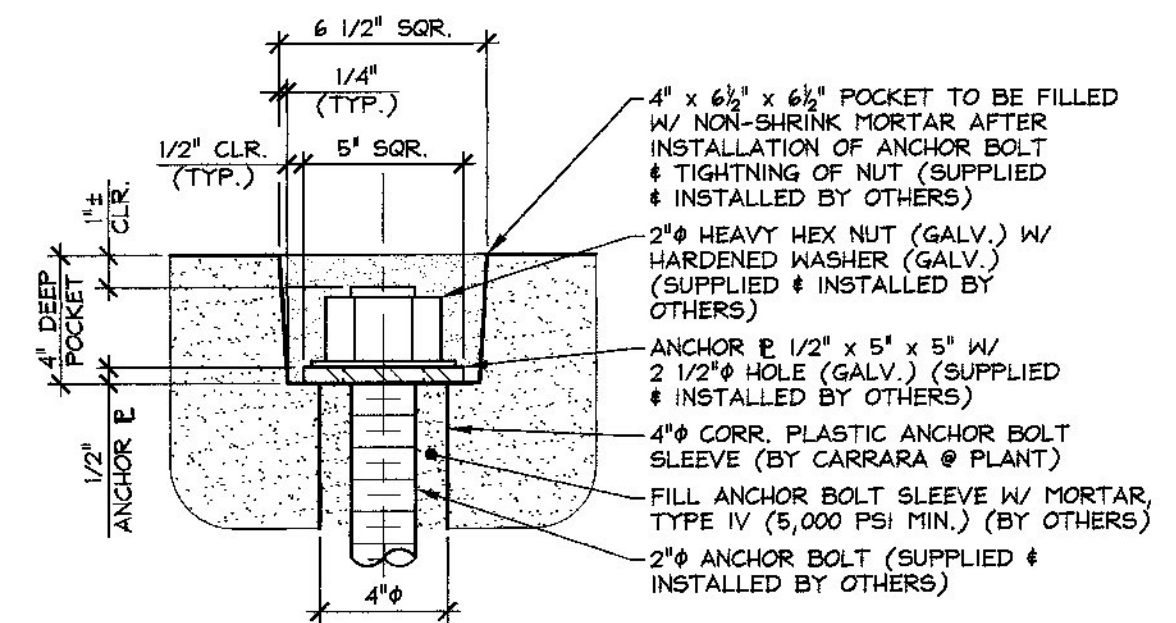
**LIFTING SHACKLE DETAILS**  
 N.T.S.



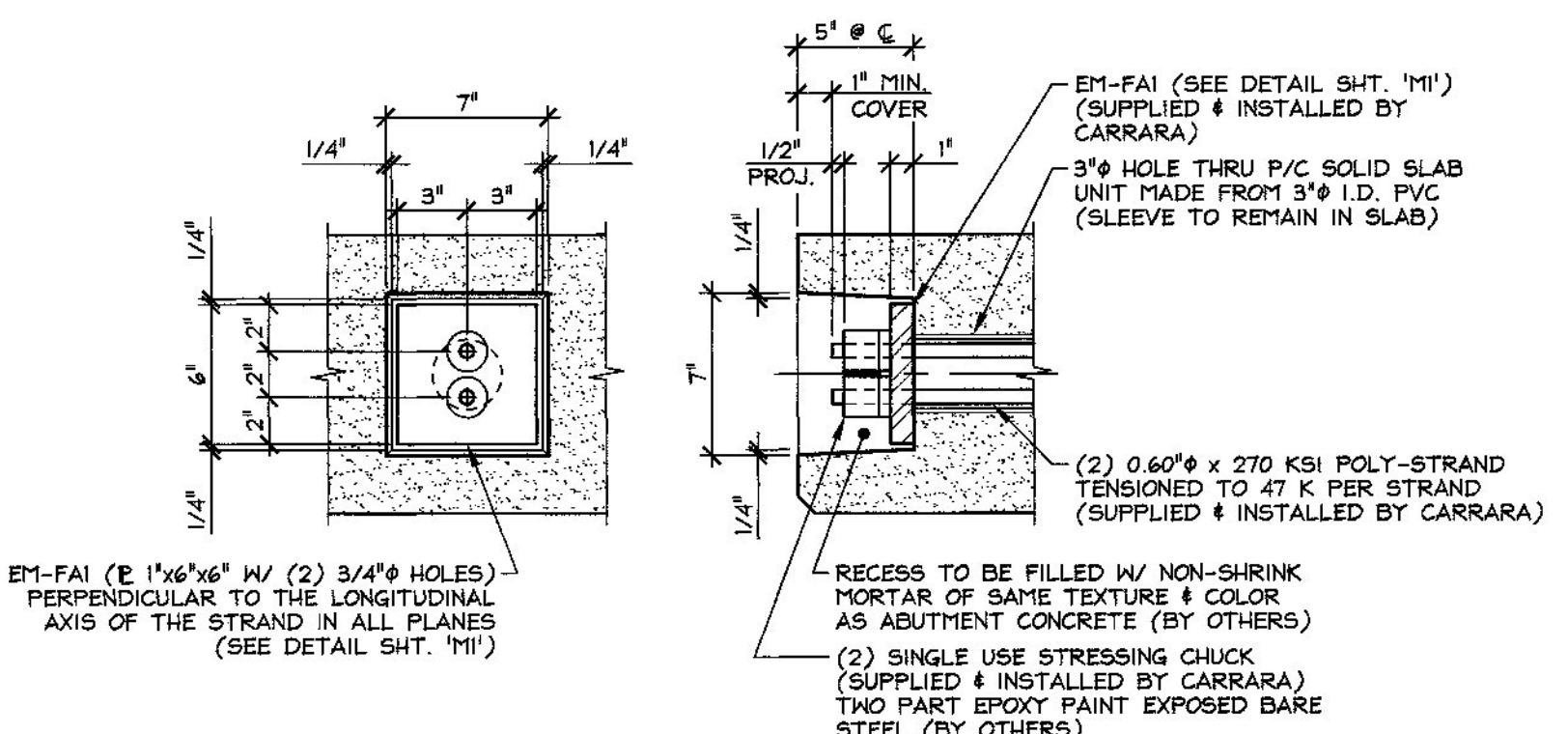
**PLAN VIEW**



**PLAN OF POCKET**



**SECTION DETAIL - "A"**  
 2" = 1'-0"



**FASCIA ELEVATION SECTION AT CENTERLINE DETAIL - "B"**  
 1 1/2" = 1'-0"

Vermont Agency of Transportation  
**RECEIVED**  
 CK'D BY RK/JW OK'D BY RY  
 February 12, 2015  
 RESUBMIT No Approved  
 BY RY DATE 02/12/2015

2-10-15 REVISED PER VT AOT COMMENTS

APPROVAL STAMP:	<b>J.P. CARRARA &amp; SONS INC.</b> Precast & Prestress Manufacturer 2404 USE STR., MONTPELIER, VERMONT 05753 Phone: (802) 388-6361 Fax: (802) 388-9010		A.L. St. ONGE CONTRACTOR MONTPELIER, VERMONT
	STATE OF VERMONT AGENCY OF TRANSPORTATION COUNTY OF FRANKLIN		DATE: NOV. 10, 2014 SCALE: NOTED
	TOWN OF FAIRFIELD SOUTH ROAD, FAS 0281 (RURAL MAJOR COLLECTOR) BRIDGE NO.: 14 PROJECT NO.: BRF 0281(25)		CHKD: B.C. DFTM: B.L. JOB NO: 23446-014
	<b>SECTIONS &amp; DETAILS</b>		DWG. NO: <b>F4</b>