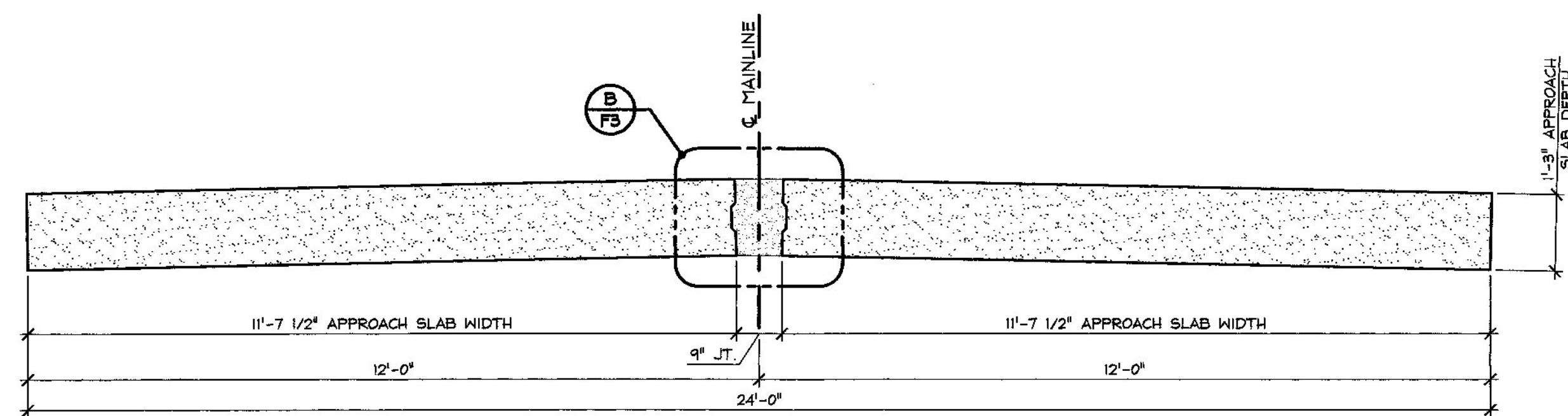
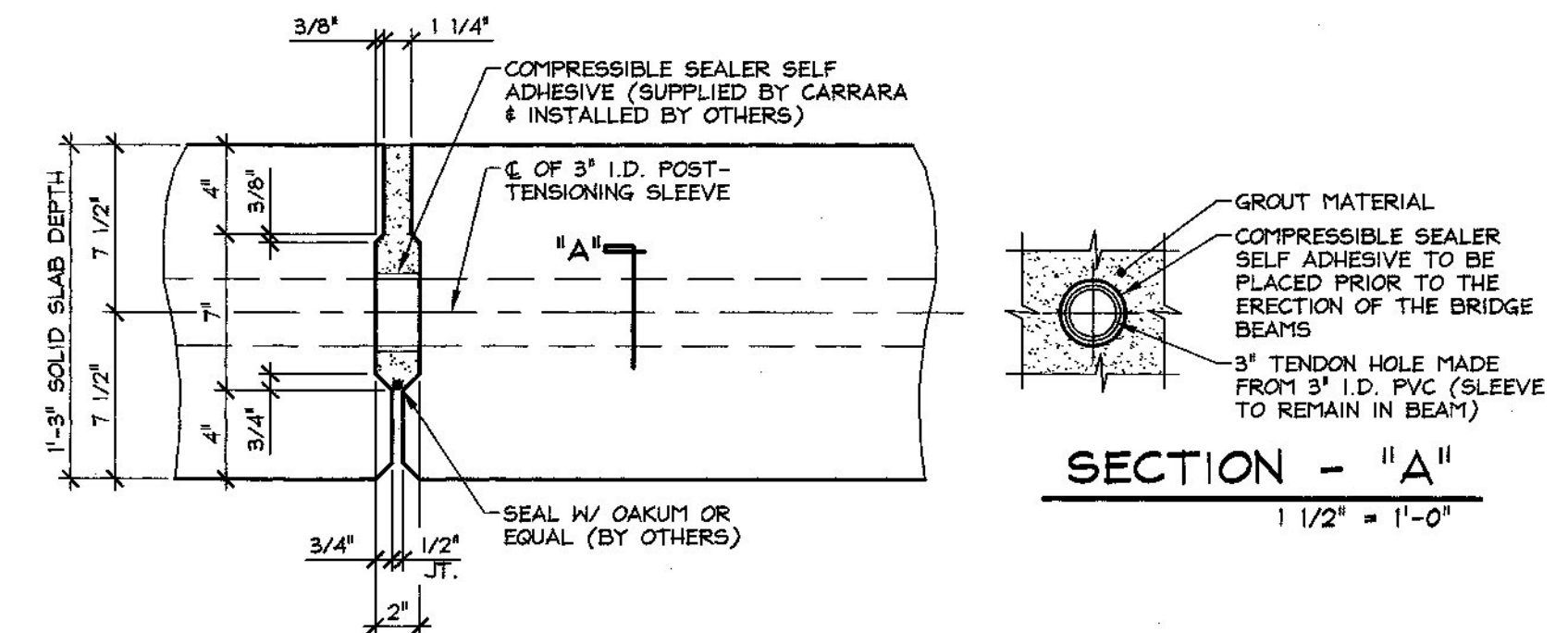


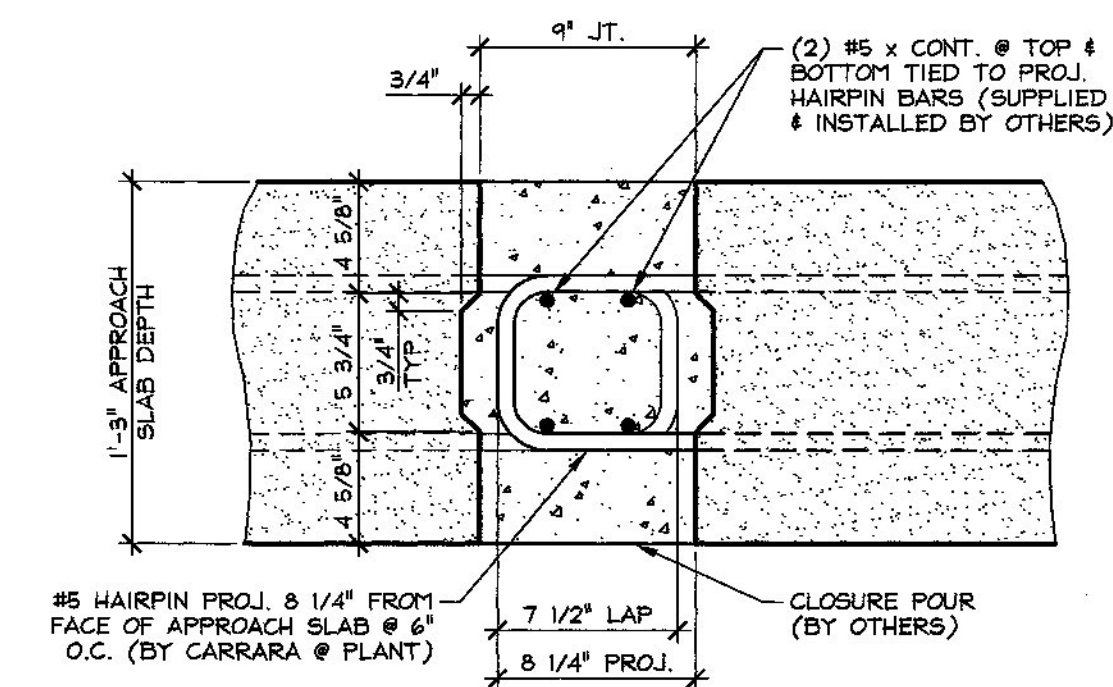
1 PRESTRESSED SOLID SLAB TRANSVERSE SECTION
F3 1/2" = 1'-0"



2 PRECAST APPROACH SLAB TRANSVERSE SECTION
F3 1/2" = 1'-0"



A SHEAR KEY SECTION @
F3 P.T. SLEEVE 1/2" = 1'-0"



B SHEAR KEY SECTION @
F3 APPROACH SLABS 1/2" = 1'-0"

Vermont Agency of Transportation
RECEIVED

CK'D BY RK/JW OK'D BY RY

February 12, 2015

RESUBMIT No Approved
BY RY DATE 02/12/2015

2-10-15 REVISED PER VT AOT COMMENTS

APPROVAL STAMP:	J.P. CARRARA & SONS INC. Precast & Prestress Manufacturer 2464 GAGE STR., WOODFORD, VERMONT 05753 Phone:(802)388-6361 Fax:(802)388-9010		A.L. St. ONGE CONTRACTOR MONTGOMERY, VERMONT	
	STATE OF VERMONT AGENCY OF TRANSPORTATION COUNTY OF FRANKLIN		DATE: NOV. 10, 2014	SCALE: NOTED
	TOWN OF FAIRFIELD SOUTH ROAD, FAS 0281 (RURAL MAJOR COLLECTOR) BRIDGE NO.: 14 PROJECT NO.: BRF 0281(25)		CHKD: B.C. DFTM: B.L.	JOB NO: 23446-014
	TRANSVERSE SECTIONS		DWG. NO: F3	