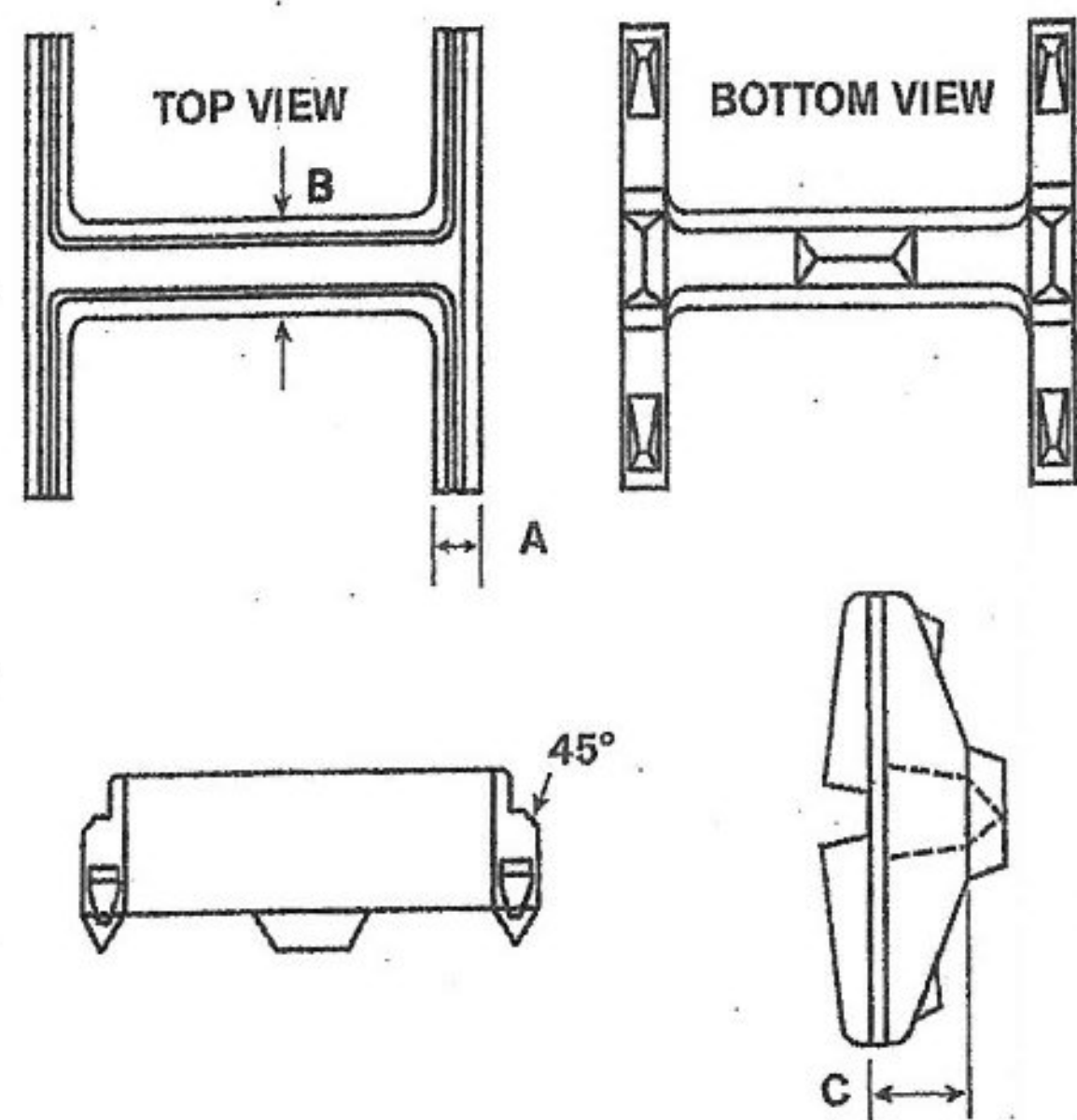


HARD-BITE™ – HP-77600-B 30#

Dimensions



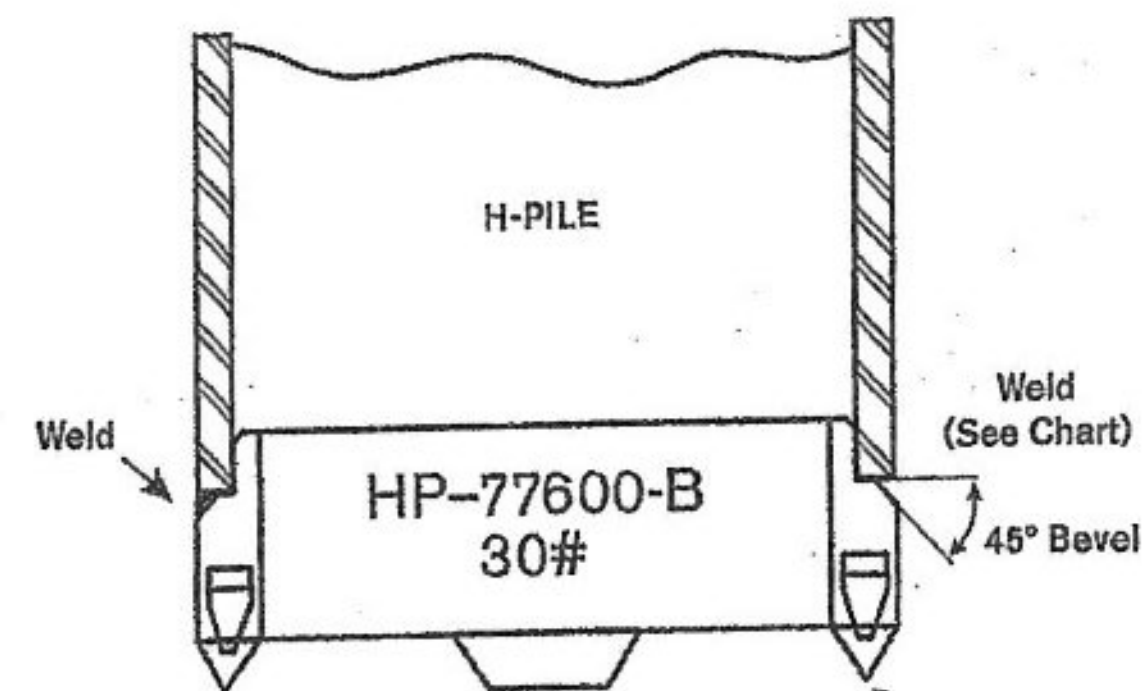
MATERIAL: CAST STEEL

ASTM A148 90/60

	12"
A	1"
B	1-5/16"
C	3"
Wt.	31#

Installation Instructions

1. Fit point onto the end of the square cut pile end.
2. Weld point to the pile in either flat or vertical position using E7018 electrodes.
3. Weld across full width of flange following chart below for minimum size weld.



Pile Size	Flange Thickness	Groove Weld
HP 12 x 84	.685	3/8
x 74	.610	3/8
x 63	.515	5/16
x 53	.435	5/16

Vermont Agency of Transportation

RECEIVED

CK'D BY _____ OK'D BY JC

May 29, 2015

RESUBMIT NO Approved

BY RY DATE 6-1-2015



ASSOCIATED PILE & FITTING

PO Box 5933 Parsippany, NJ 07054-5933
 Tel: 973-773-8400
 Fax: 973-428-5146
 email: apf@associatedpile.com
 www.associatedpile.com
 Call Toll Free: 800-526-9047