

GPS CONTROL POINTS

HVCTRL #1

ELMBROOK
 NORTH = 835145.869
 EAST = 1543642.073
 ELEV. = 402.610

GENERAL LOCATION, FAIRFIELD, VT., IN EAST FAIRFIELD. TO REACH FROM THE INTERSECTION VT ROUTE 36 AND VT ROUTE 108 IN BAKERSFIELD, GO WEST ALONG VT ROUTE 36 FOR 3.0 MI TO THE INTERSECTION OF MILL STREET LEFT. CONTINUE STRAIGHT AHEAD AND GO NORTHWEST ALONG VT ROUTE 36 FOR 0.7 MI TO THE INTERSECTION OF ELM BROOK ROAD LEFT. TURN LEFT AND GO NORTHWEST AND THEN SOUTHWEST ALONG ELM BROOK ROAD FOR 0.2 MI TO THE SITE OF THE MARK ON THE LEFT. THE MARK IS SET 2 CM BELOW GROUND SURFACE IN THE TOP OF A 30 CM DIAMETER CONCRETE MONUMENT POURED 1.2 M DEEP. IT IS 3.4 M EAST OF AND ABOUT 0.2 M LOWER THAN THE CENTERLINE OF ELM BROOK ROAD, 38.7 M SOUTH SOUTHWEST OF POLE NO 201/1, AND 31.0 M NORTH NORTHWEST OF POLE NO 2 AND A FIBERGLASS WITNESS POST.

HVCTRL #2

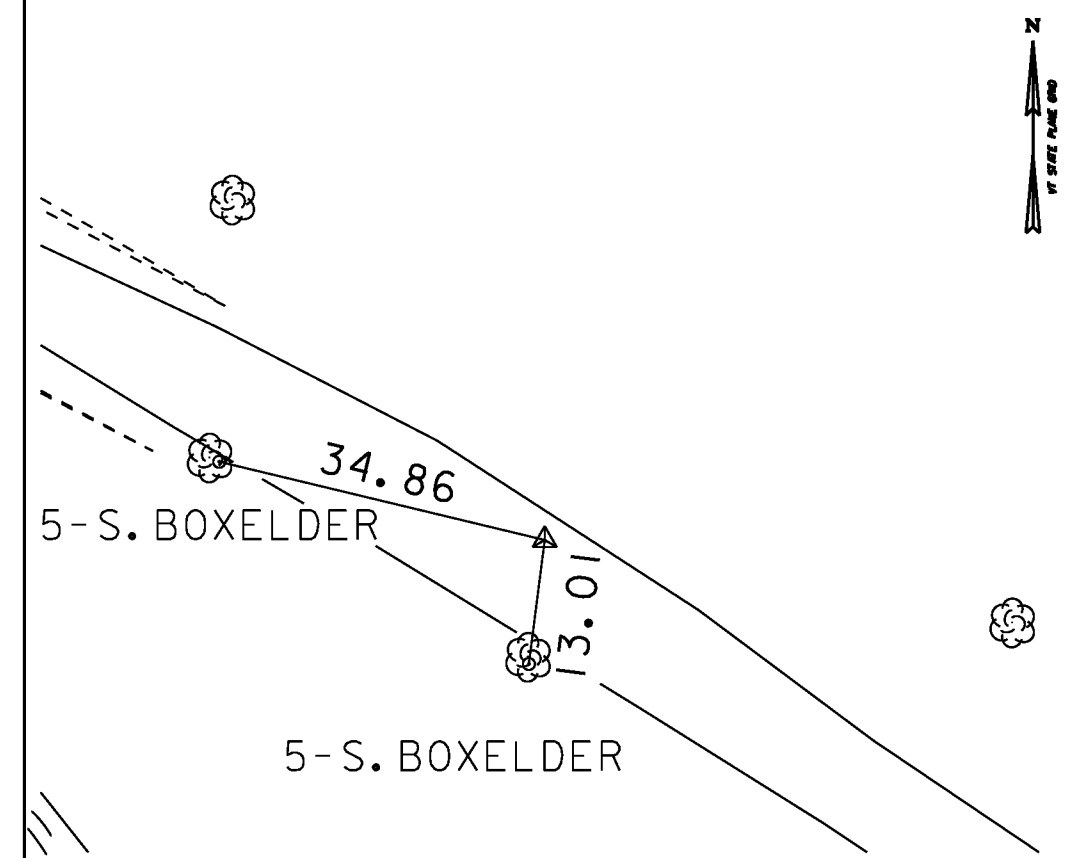
ELMBROOK AZ MK
 NORTH = 833823.024
 EAST = 1546286.569
 ELEV. = 398.720

GENERAL LOCATION, FAIRFIELD, VT., IN EAST FAIRFIELD. OWNERSHIP, SHANNON MITCHELL, 9240 VT ROUTE 36, EAST FAIRFIELD, VT 05448. TO REACH FROM THE INTERSECTION VT ROUTE 36 AND VT ROUTE 108 IN BAKERSFIELD, GO WEST ALONG VT ROUTE 36 FOR 3.0 MI TO THE INTERSECTION OF MILL STREET LEFT. CONTINUE STRAIGHT AHEAD AND GO NORTHWEST ALONG VT ROUTE 36 FOR 0.15 MI TO THE SITE OF THE MARK ON THE LEFT. THE MARK IS SET IN THE TOP OF A MASSIVE ROCK OUTCROP JUST NORTHWEST OF HOUSE NO 9240. IT IS 14.7 M SOUTHWEST OF AND ABOUT 4 M HIGHER THAN THE CENTERLINE OF VT ROUTE 36, 10.9 M NORTHWEST OF THE NORTH CORNER OF HOUSE NO 9240, 12.0 M NORTH OF THE WEST CORNER OF THE HOUSE, 2.1 M NORTH NORTHEAST OF A 14 MM DIAMETER STEEL BOLT WITH SQUARE NUT SET IN THE TOP OF THE OUTCROP, AND 3.6 M WEST SOUTHWEST OF THE WEST CORNER OF A GARDEN SHED.

TRAVERSE TIES

HVCTRL #3

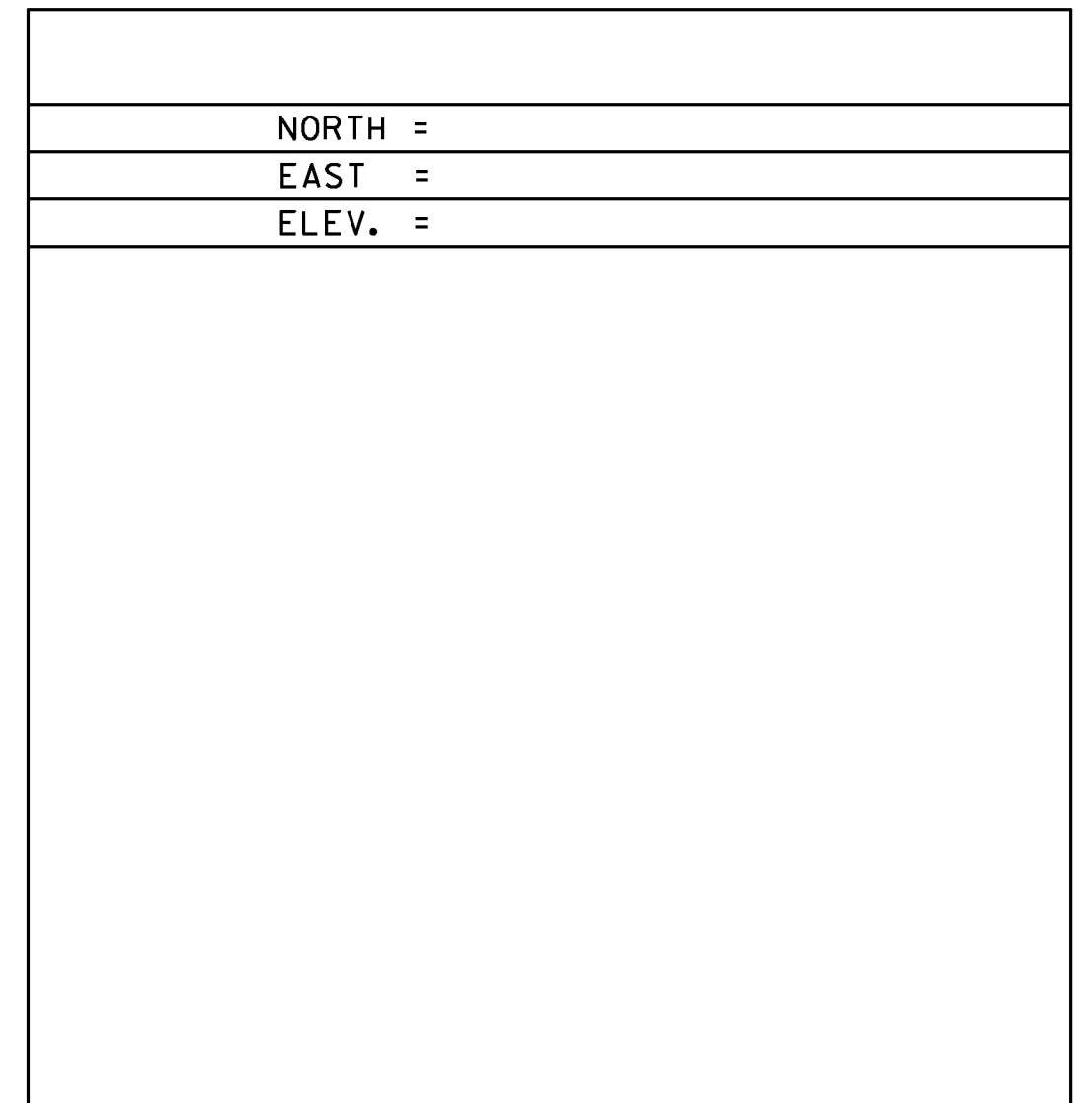
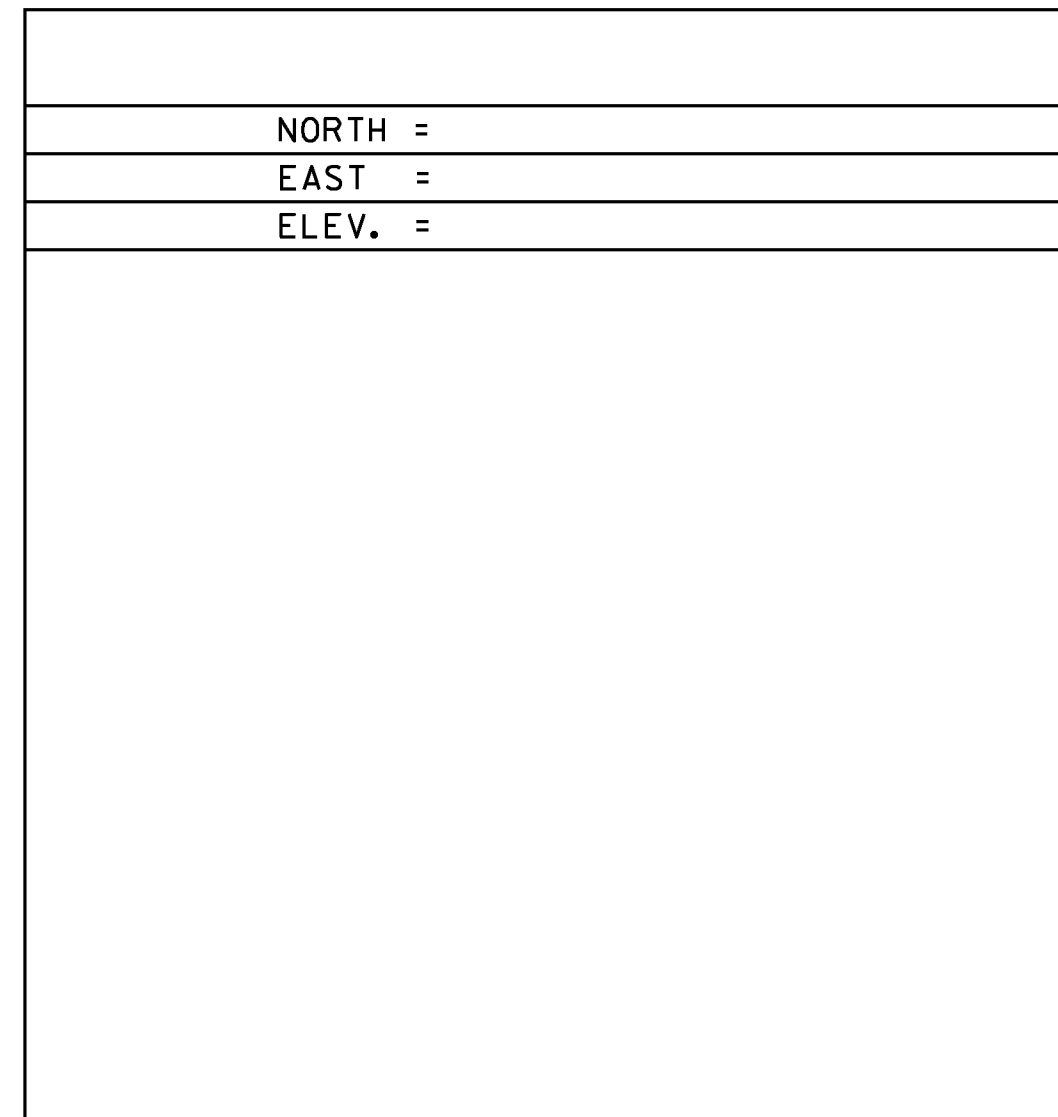
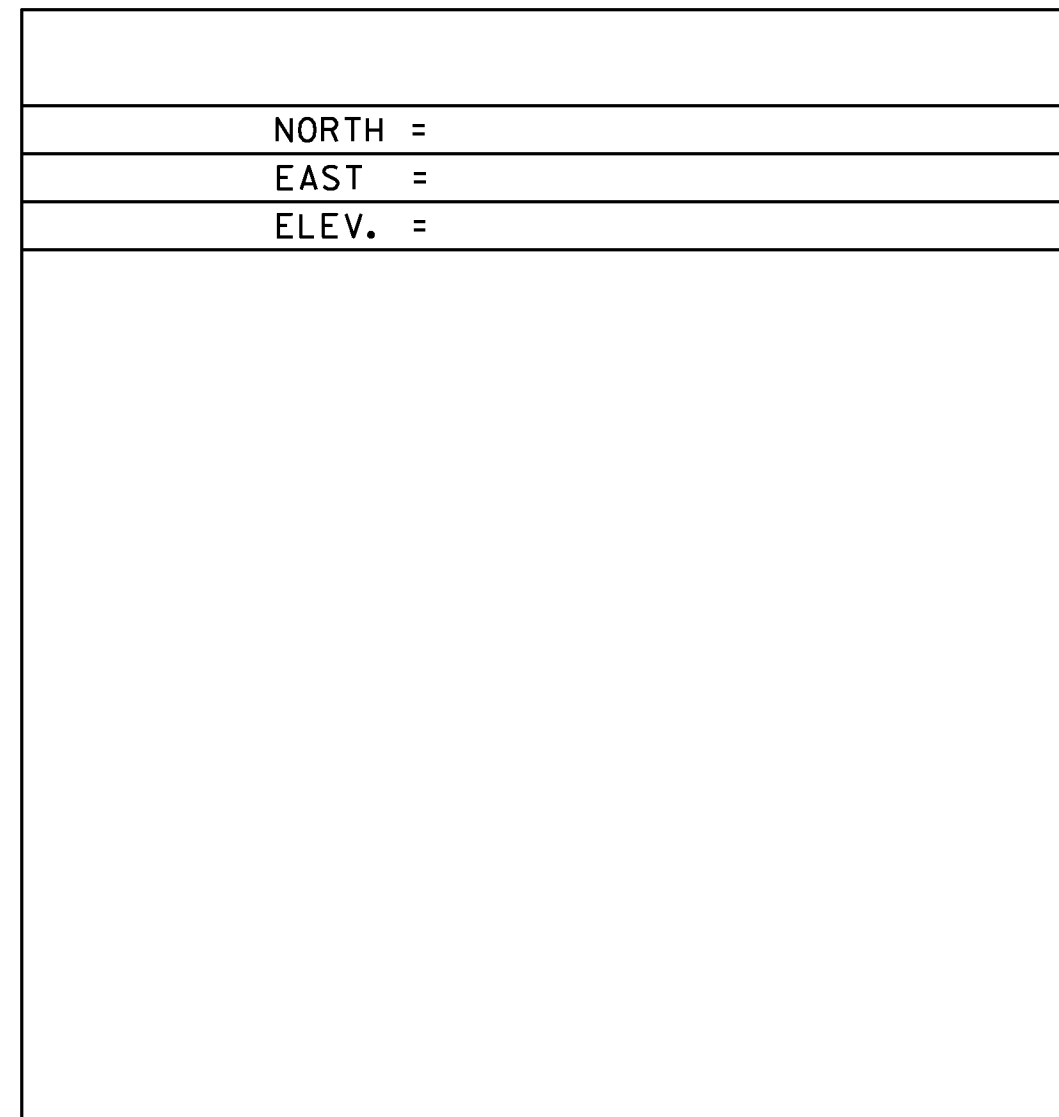
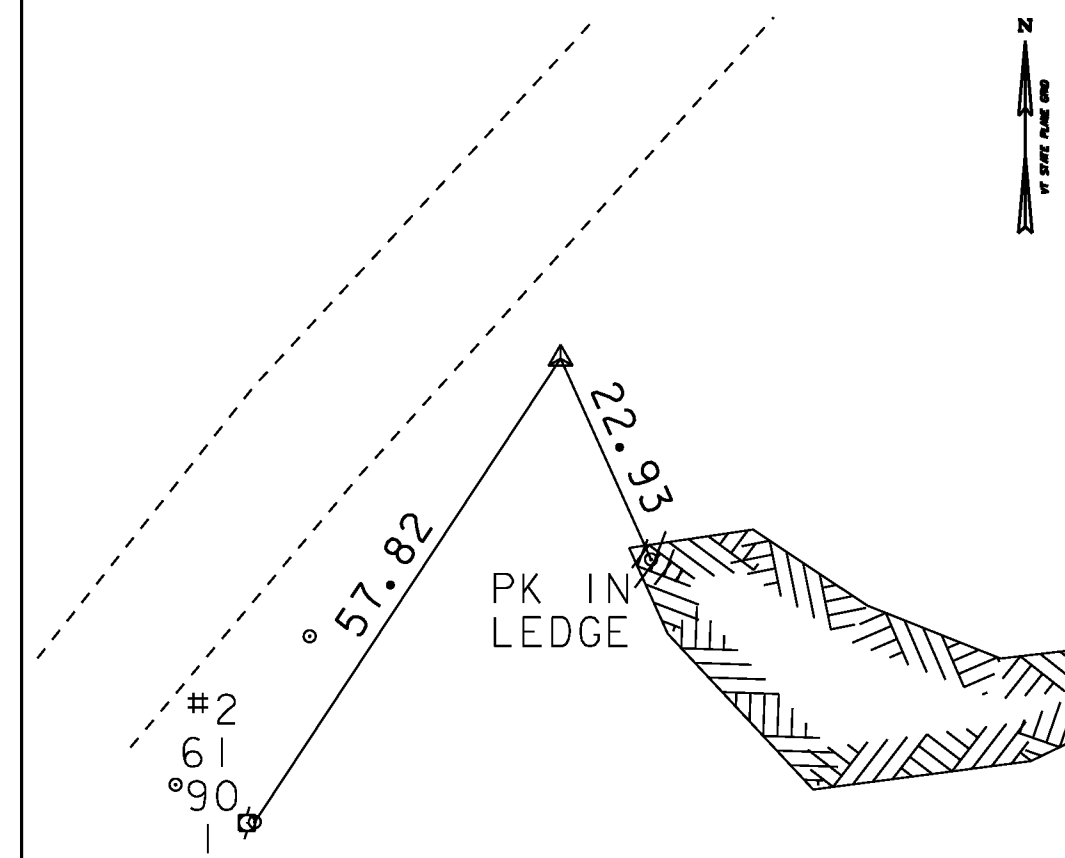
NORTH = 835608.228
 EAST = 1544118.760
 ELEV. = 378.248



*MAIN TRAVERSE COMPLETED 3/11/2012 BY L. ORVIS P.C. & G. HITCHCOCK

HVCTRL #4

NORTH = 835545.864
 EAST = 1543760.945
 ELEV. = 393.952



DATUM	
VERTICAL	NAVD 88
HORIZONTAL	NAD 83 (07)
ADJUSTMENT	COMPASS

PROJECT NAME: FAIRFIELD	
PROJECT NUMBER: BRO 1448 (41)	
FILE NAME: xl2j170+1.dgn	PLOT DATE: 18-AUG-2014
PROJECT LEADER: R. YOUNG	DRAWN BY: K. FRIEDLAND
DESIGNED BY: R. KLINFELTER	CHECKED BY: R. KLINFELTER
TIE SHEET	SHEET 45 OF 69