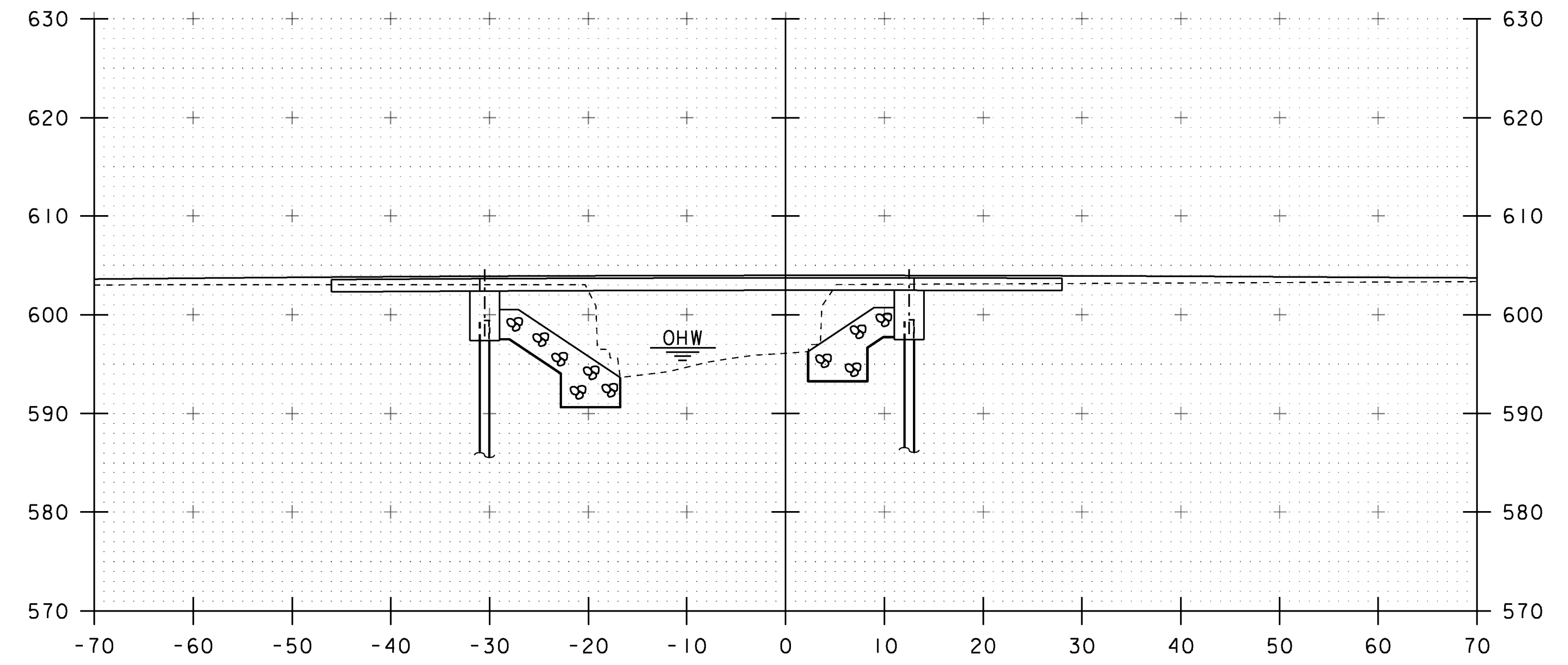
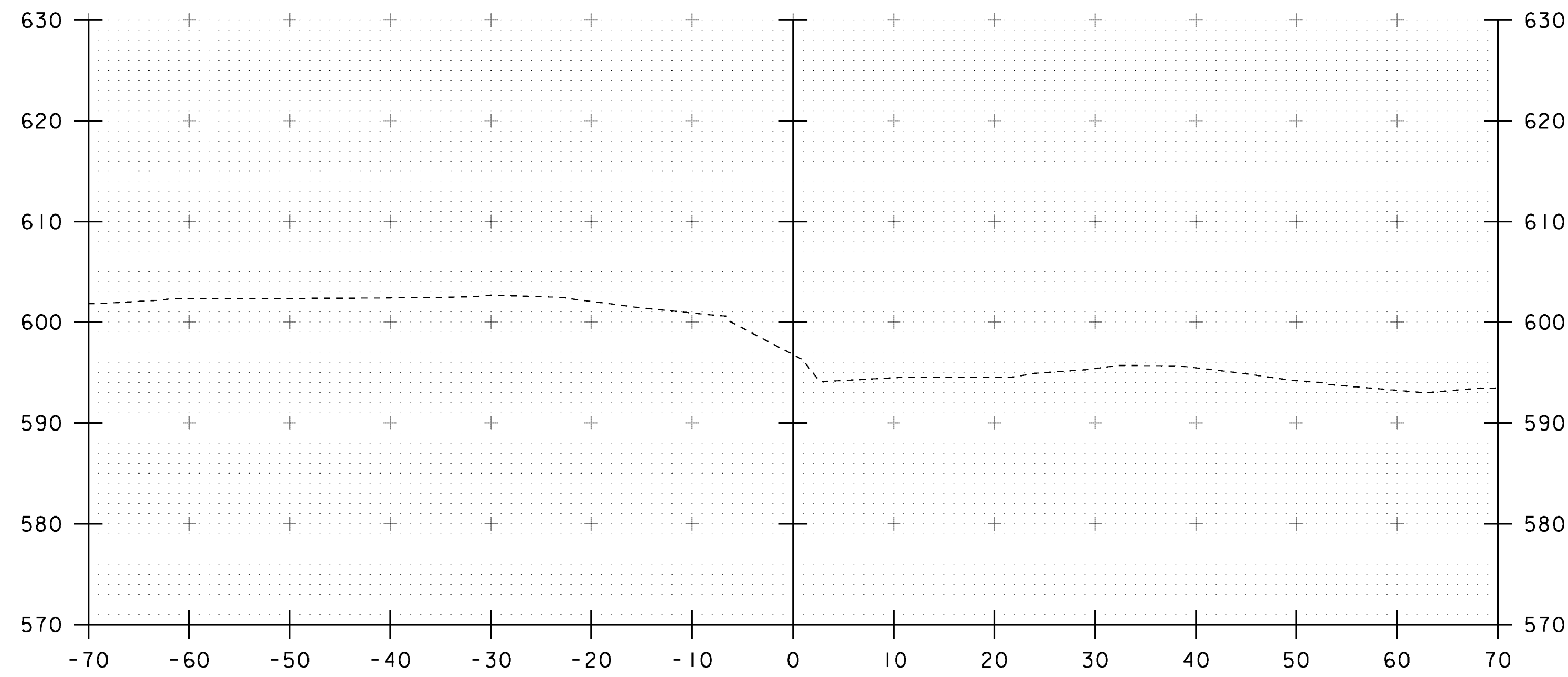


STA 50+65.00 LT - AUTHORIZED 7-27-15 (RMK)
 STA 50+78.00 LT AND RT
 BEGIN STONE FILL, TYPE III
 GEOTEXTILE UNDER STONE FILL
 GRUBBING MATERIAL
 UNCLASSIFIED CHANNEL EXCAVATION

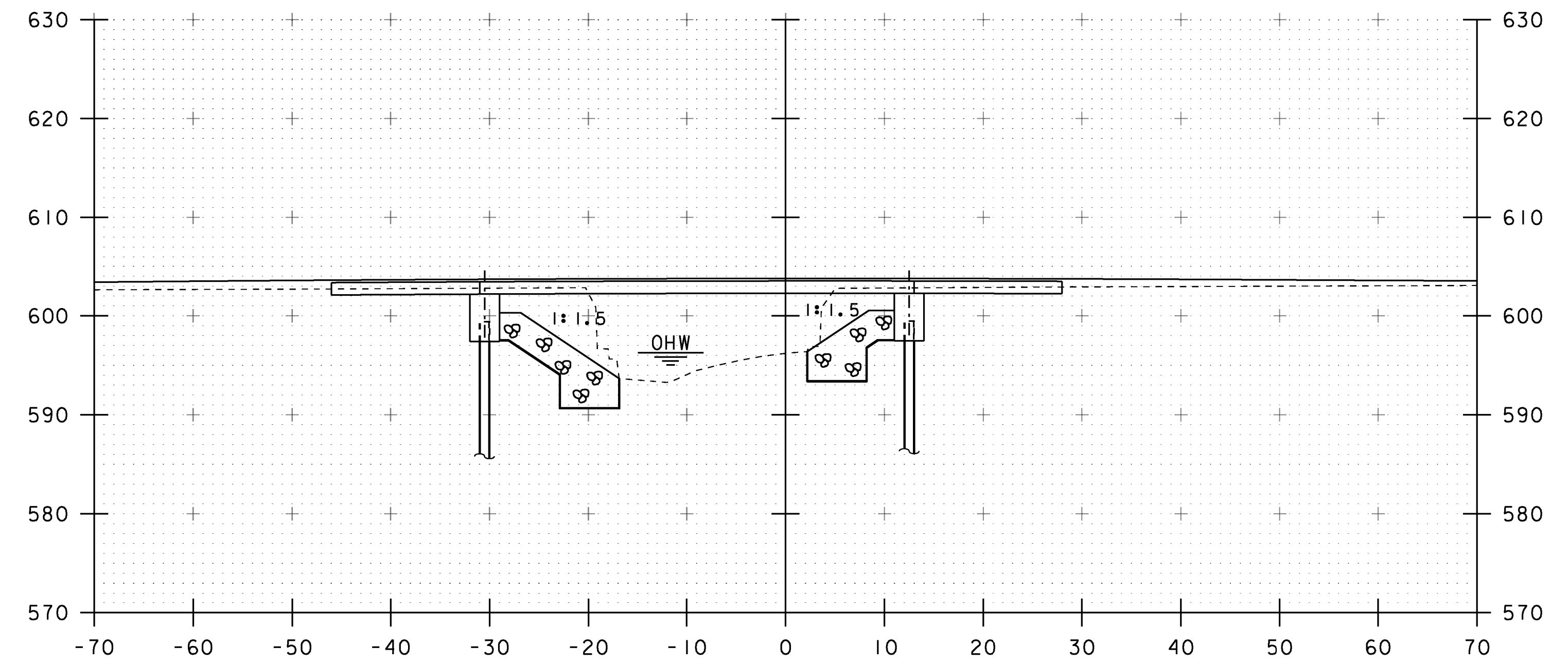
50+75



51+00



50+50



STA 50+85.00 LT AND RT
 END GRUBBING MATERIAL

50+90

STA. 50+50 TO STA. 51+00

| | | | |
|-----------------|----------------|------------------|----------------|
| PROJECT NAME: | FAIRFIELD | PLOT DATE: | 18-AUG-2014 |
| PROJECT NUMBER: | BRF 0281(25) | DRAWN BY: | R. KLINEFELTER |
| FILE NAME: | sl2j156xs.dgn | CHECKED BY: | J. SALVATORI |
| PROJECT LEADER: | R. YOUNG | SHEET | 36 OF 69 |
| DESIGNED BY: | R. KLINEFELTER | CHANNEL SECTIONS | |