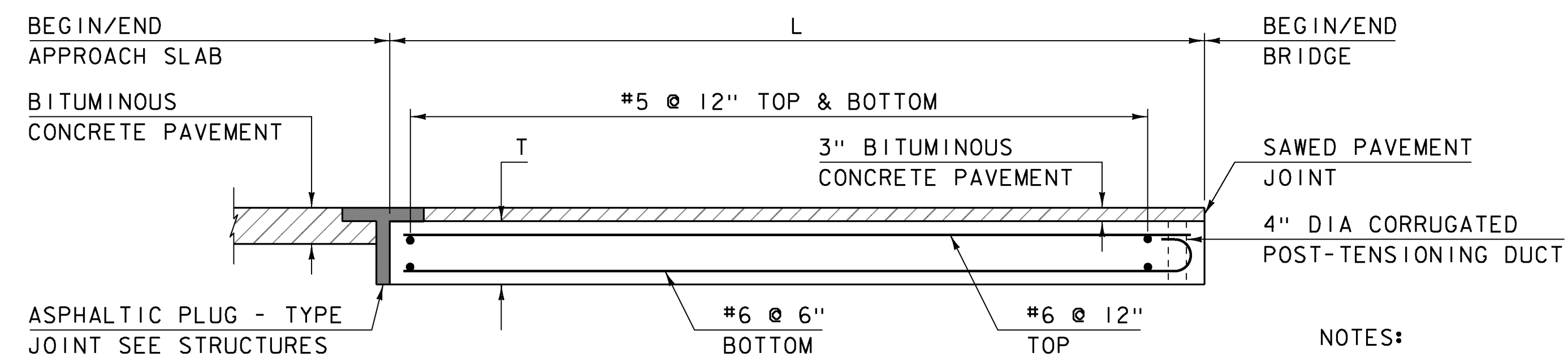


APPROACH SLAB #1 PLAN VIEW

SCALE 1/2" = 1'-0"

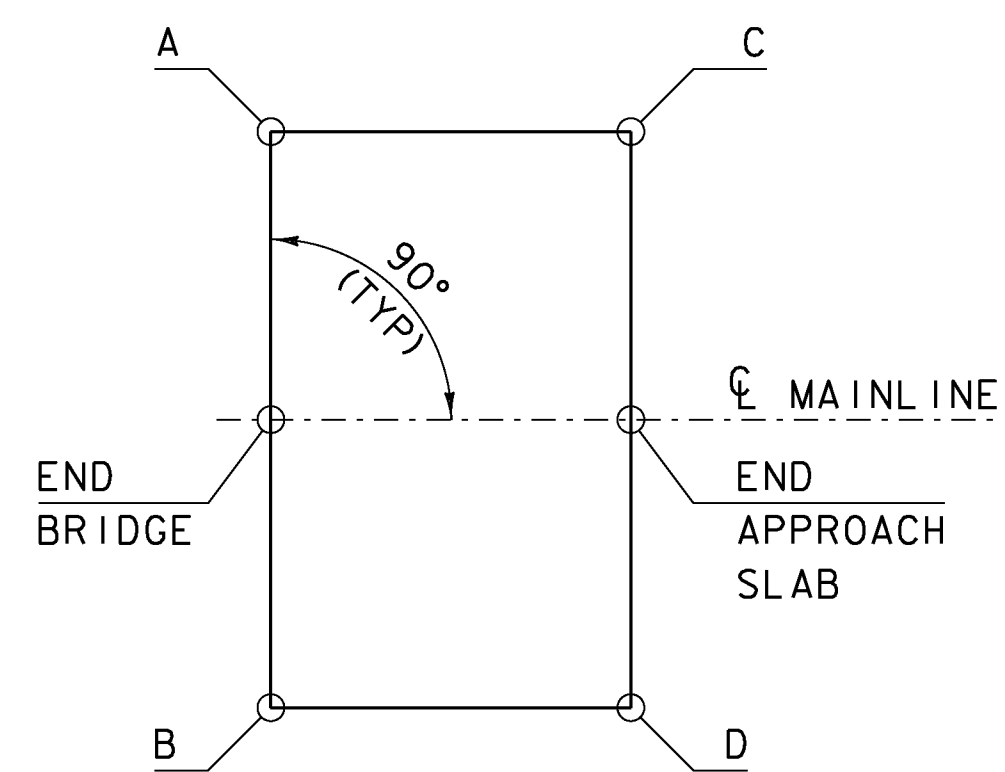


APPROACH SLAB ELEVATION VIEW

SCALE 1/2" = 1'-0"

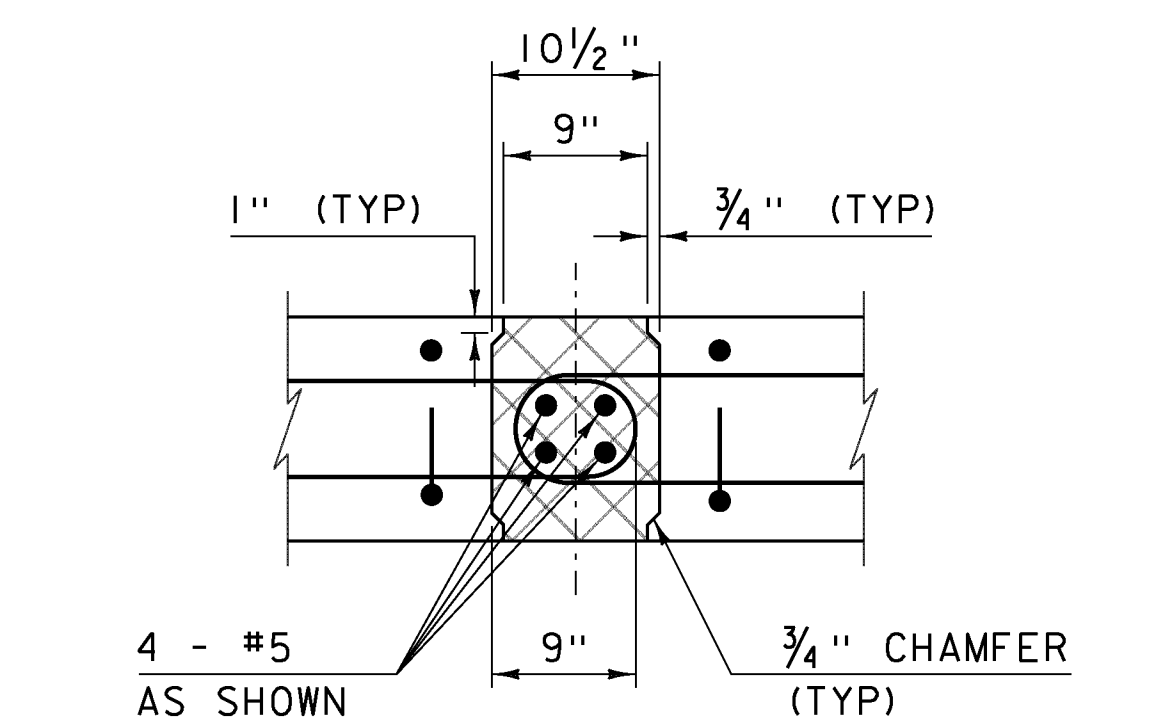
NOTES:

- 1) ALL REINFORCING SHALL BE LEVEL 2 OR HIGHER.
- 2) LIFTING POINTS SHALL BE DESIGNED BY FABRICATOR AND SUBMITTED WITH CALCULATIONS.



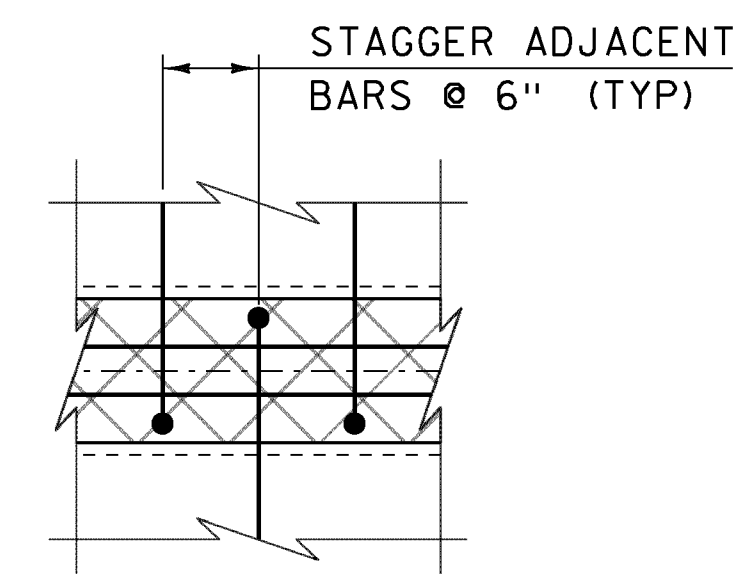
APPROACH SLAB #2 PLAN VIEW

NOT TO SCALE



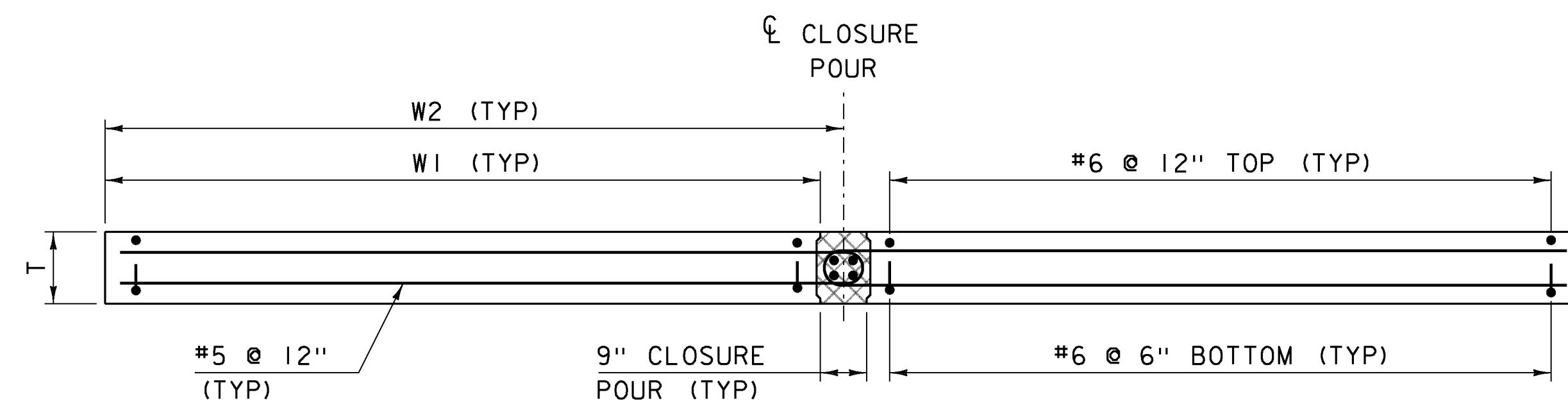
CONNECTION DETAIL SECTION

SCALE 1" = 1'-0"



CONNECTION DETAIL PLAN

SCALE 1" = 1'-0"



SECTION A-A

SCALE 1/2" = 1'-0"

T	1' - 3"
L	15' - 0"
W1	11' - 7 1/2"
W2	12' - 0"
A1	90°

APPROACH SLAB DIMENSIONS

APPROACH SLAB #1			
	STATION	OFFSET	ELEVATION
1A	16+47.00	-12.00	603.45
BEGIN AS #1	16+47.00	CL	603.69
1B	16+47.00	12.00	603.45
1C	16+62.00	-12.00	603.48
END AS #1	16+62.00	CL	603.72
1D	16+62.00	12.00	603.48

APPROACH SLAB #2			
	STATION	OFFSET	ELEVATION
2A	17+06.00	-12.00	603.40
BEGIN AS #2	17+06.00	CL	603.64
2B	17+06.00	12.00	603.40
2C	17+21.00	-12.00	603.31
END AS #2	17+21.00	CL	603.55
2D	17+21.00	12.00	603.31

APPROACH SLAB ELEVATIONS

ALL ELEVATIONS ARE TOP OF SLAB

NOTE:

- NF = NEAR FACE
- FF = FAR FACE
- EF = EACH FACE
- ▲ = CUT TO FIT IN FIELD
- 3" CLEAR, UNLESS OTHERWISE SPECIFIED ON THE PLANS.
- SPLICES NOT DETAILED SHALL BE DESIGNED

PROJECT NAME: FAIRFIELD
PROJECT NUMBER: BRF 028(25)

FILE NAME: sl2j156opslab.dgn
PROJECT LEADER: R. YOUNG
DESIGNED BY: R. KLINEFELTER
APPROACH SLAB DETAILS

PLOT DATE: 10-SEP-2014
DRAWN BY: K. FRIEDLAND
CHECKED BY: J. SALVATORI
SHEET 26 OF 69