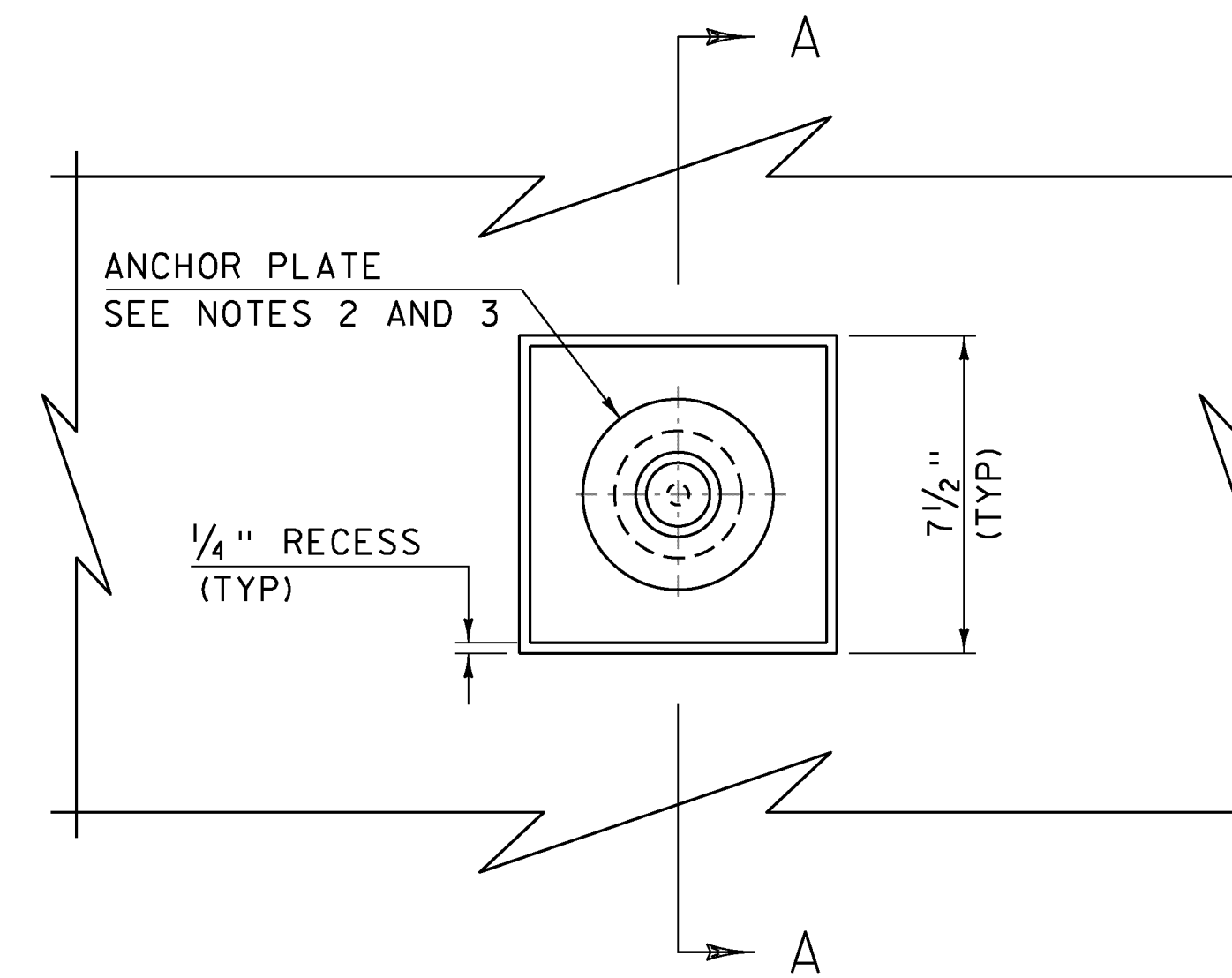


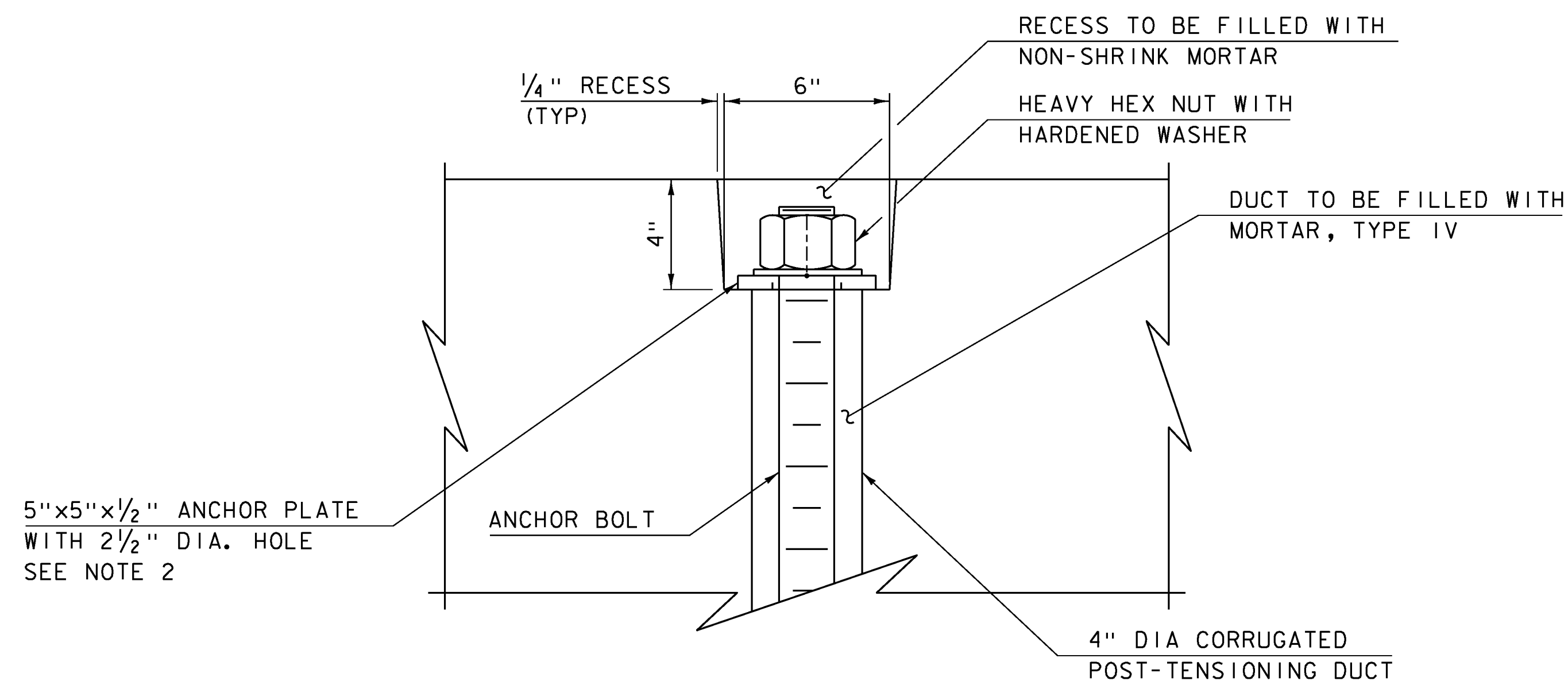
**ANCHOR BOLT DETAIL  
PLAN**

SCALE 3" = 1'-0"



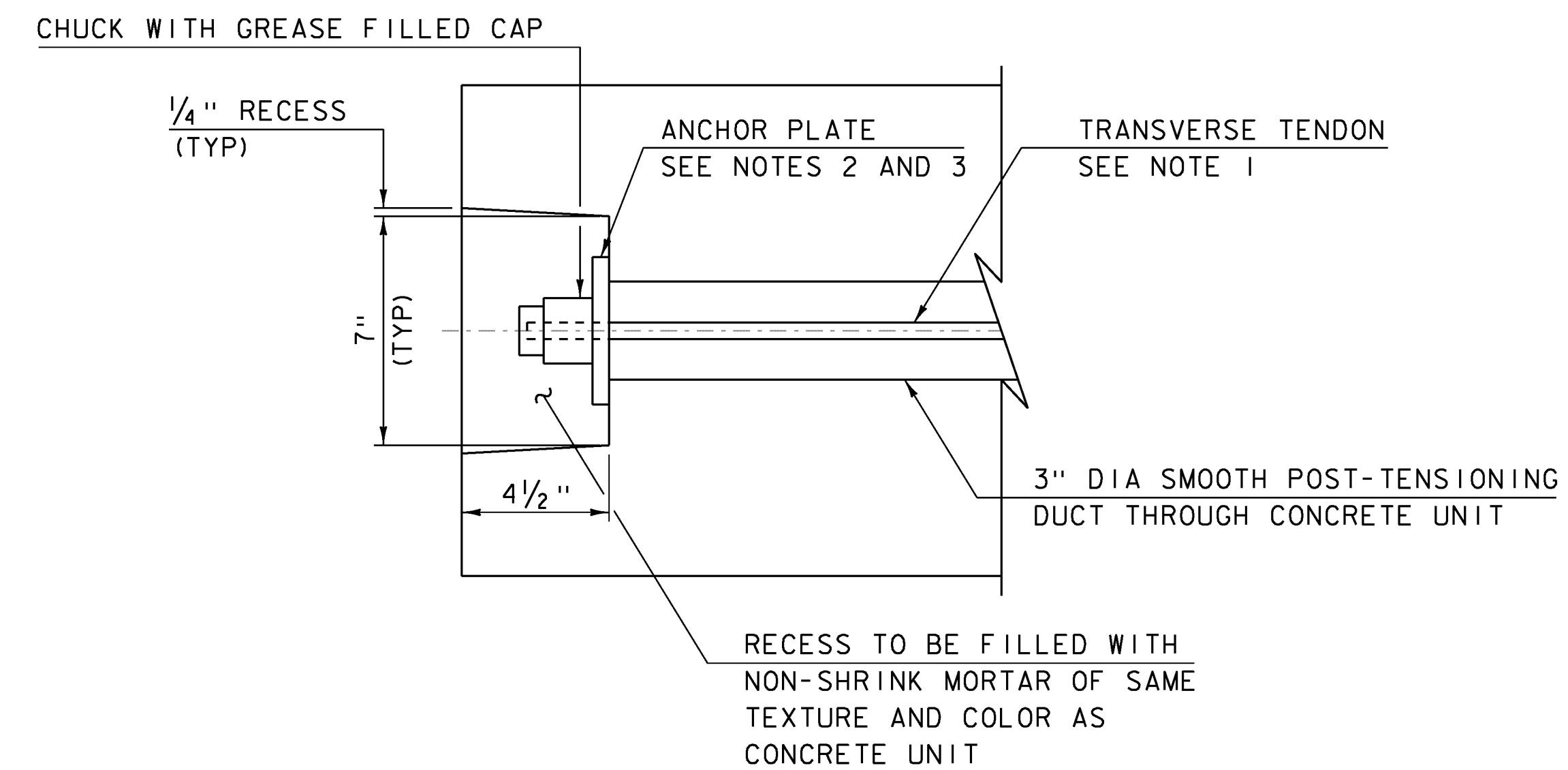
**TRANSVERSE POST-TENSIONING DETAIL  
ELEVATION**

SCALE 3" = 1'-0"



**ANCHOR BOLT DETAIL  
SECTION A-A**

SCALE 3" = 1'-0"



**TRANSVERSE POST-TENSIONING DETAIL  
SECTION A-A**

SCALE 3" = 1'-0"

**NOTES:**

- 1) TRANSVERSE TENDONS SHALL BE COVERED BY SEAMLESS POLYPROPYLENE SHEATH (WITH CORROSION INHIBITER GREASE BETWEEN SHEATH AND STRAND) FOR THE LENGTH OF STRAND, EXCEPT AT ANCHORAGE LOCATIONS. EACH STRAND SHALL BE TENSIONED TO 33 KIPS FOR 0.5" DIA STRAND AND TO 47 KIPS FOR 0.6" DIA STRAND.
- 2) ANCHOR PLATES SHALL CONFORM TO AASHTO M 270M/M 270, GRADE 345 (GRADE 50) AND BE GALVANIZED IN ACCORDANCE WITH AASHTO M 111M/M 111.
- 3) ANCHOR PLATES FOR TRANSVERSE POST-TENSIONING ARE TO BE DESIGNED BY THE FABRICATOR FOR THE SPECIFIC POST-TENSIONING SYSTEM USED. DETAILS FOR THE ANCHOR PLATE SHALL BE PROVIDED ON THE FABRICATION DRAWINGS.

PROJECT NAME: FAIRFIELD  
PROJECT NUMBER: BR 028(25)

FILE NAME: sl2j156sup.dgn  
PROJECT LEADER: R. YOUNG  
DESIGNED BY: T. FILLBACH  
SUPERSTRUCTURE DETAILS 2

PLOT DATE: 18-AUG-2014  
DRAWN BY: K. FRIEDLAND  
CHECKED BY: R. KLINEFELTER  
SHEET 24 OF 69