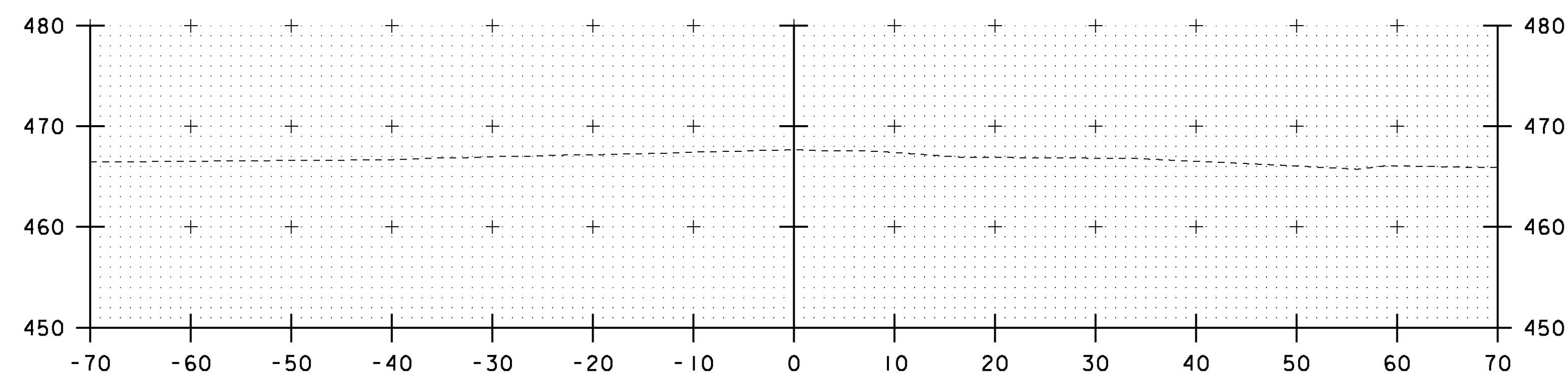
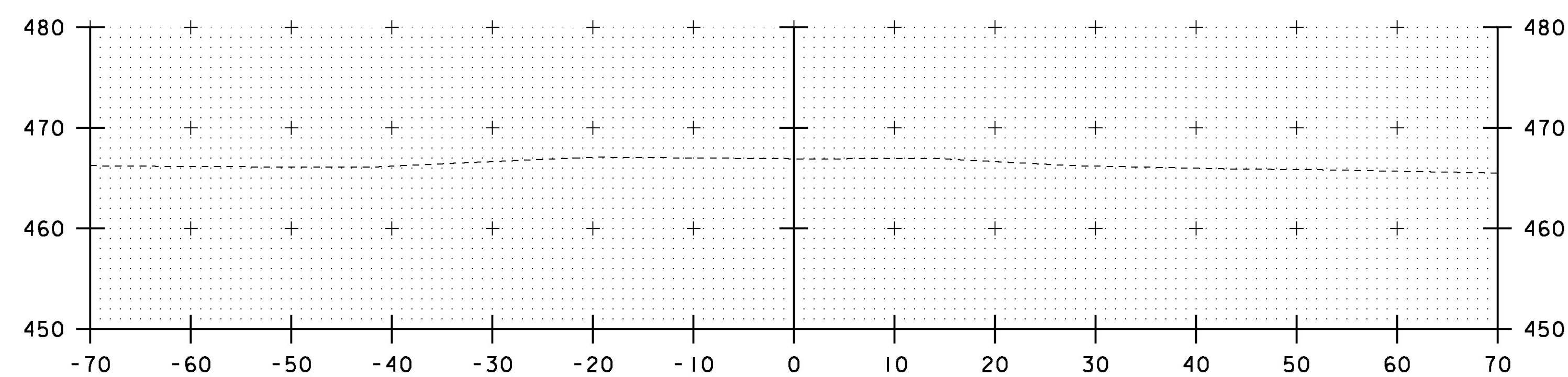


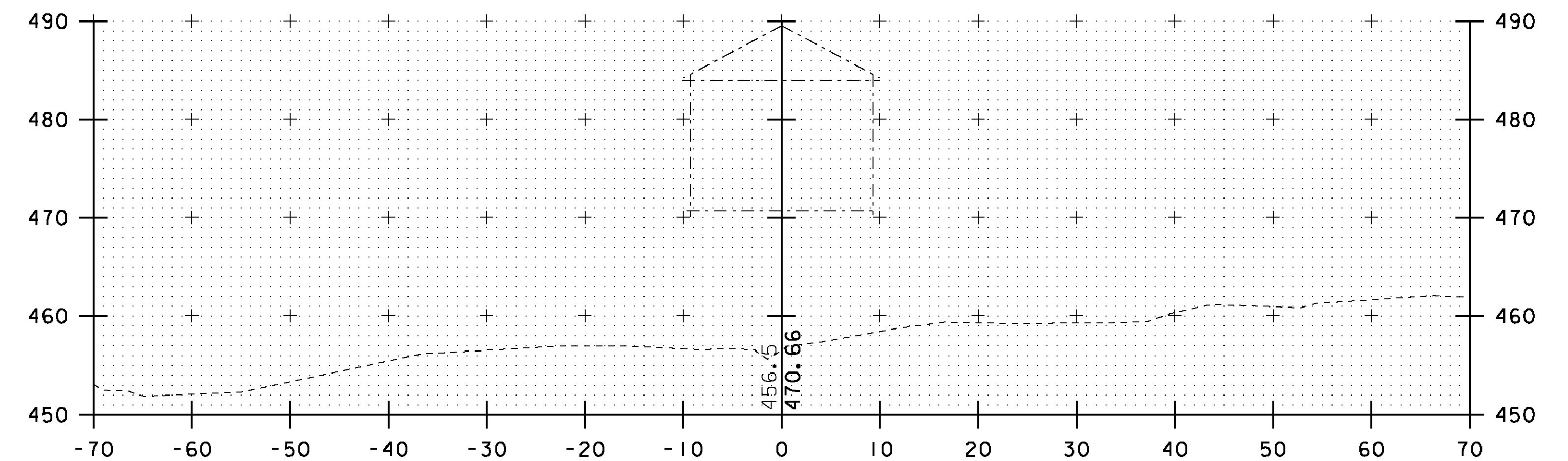
0+34.47  
BEGIN PROJECT



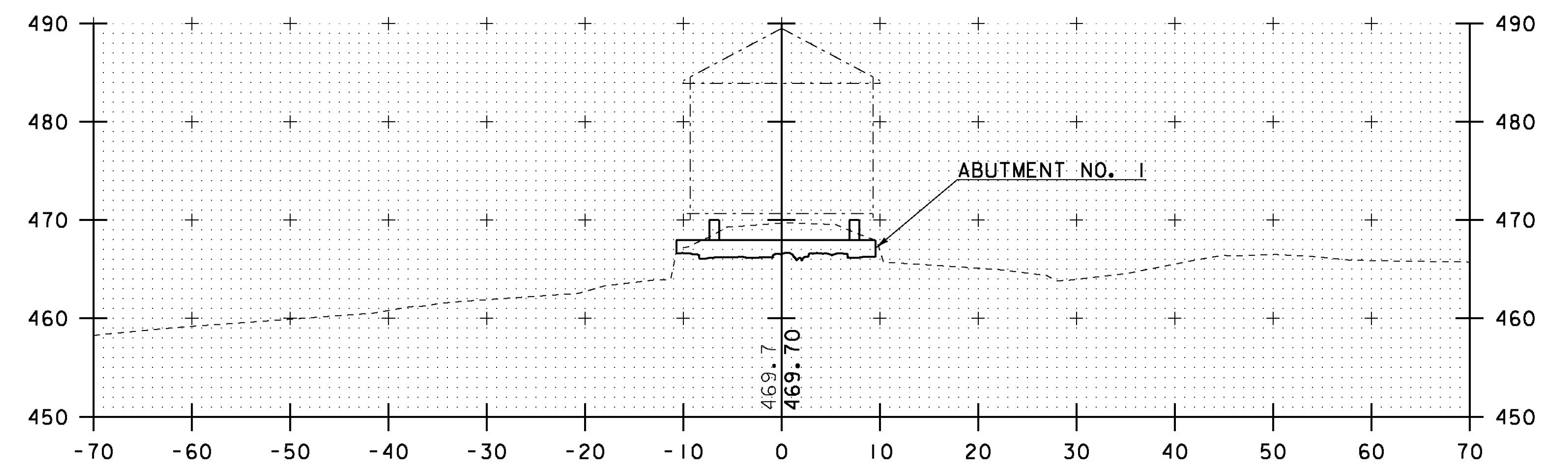
0+25



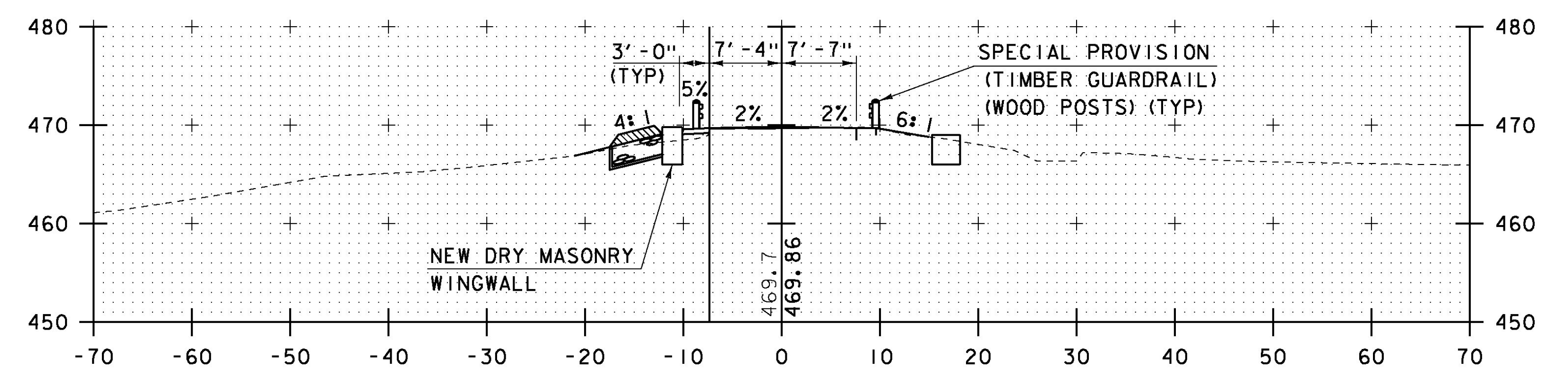
0+00



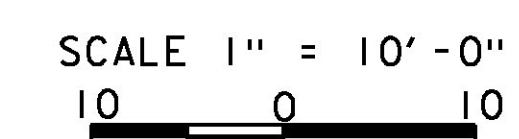
0+75



0+58.40  
BEGIN BRIDGE



0+50



STA. 0+00 TO STA. 0+75



HTA PROJECT	MODEL
904225	904225XSI

PROJECT NAME: TOWNSHEND	PLOT DATE: 8/13/2015
PROJECT NUMBER: STP SCTT(1)	DRAWN BY: T.A.GELINAS
FILE NAME: 904225xsi.dgn	CHECKED BY: S.T.JAMES
PROJECT LEADER: M.D.SARGENT	SHEET 52 OF 60
DESIGNED BY: J.C.RIPLEY	
<b>ROADWAY CROSS SECTIONS (1 OF 2)</b>	

8/13/2015 10:02:25 AM C:\Users\jcr\OneDrive\Projects\Townshend\904225xsi.dgn