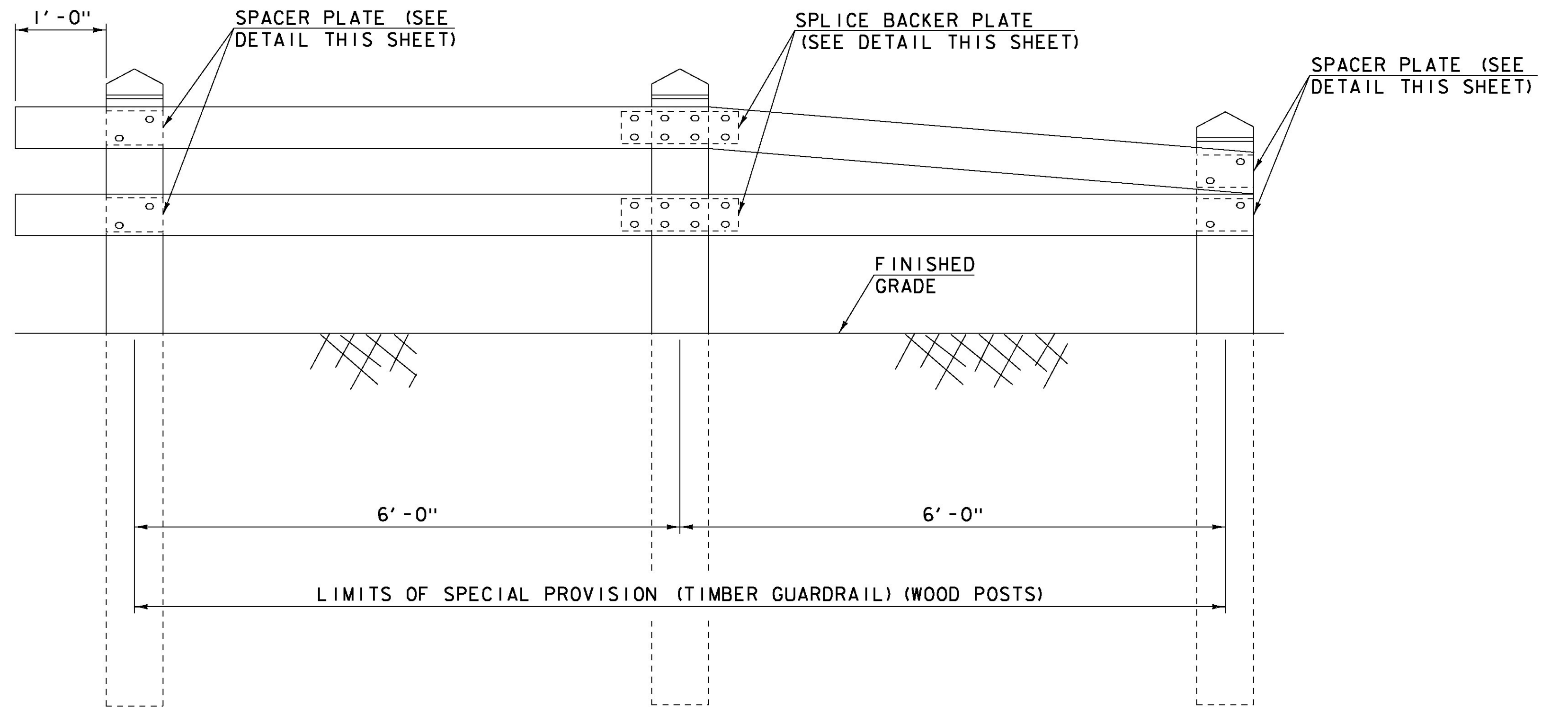
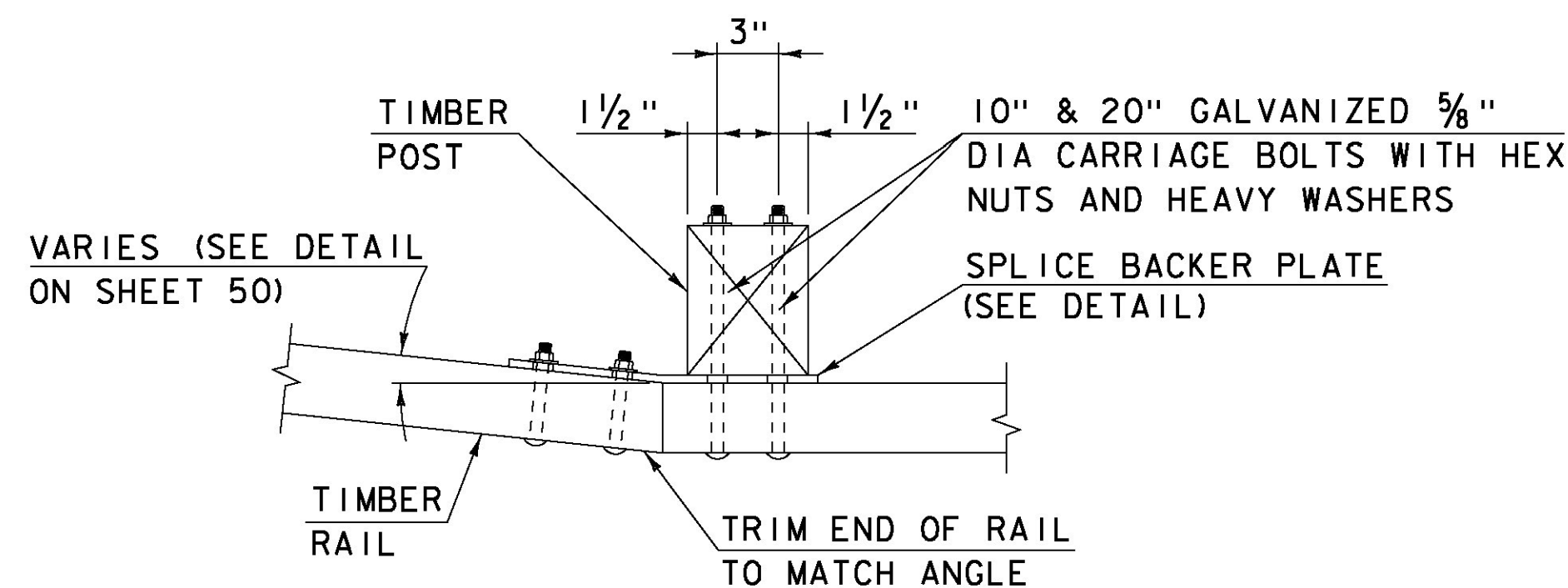


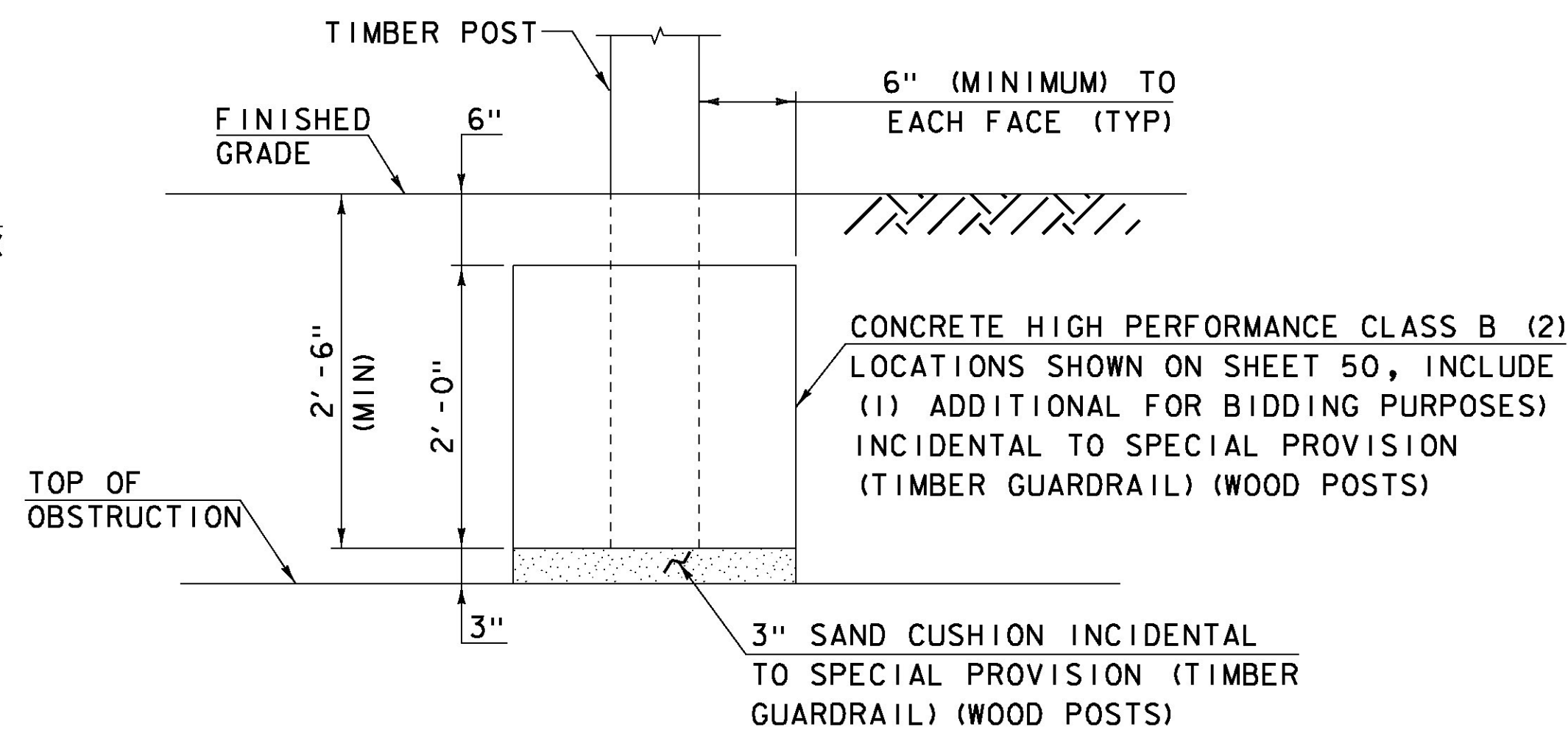
**TIMBER APPROACH RAIL**  
SCALE: 1" = 1'-0"



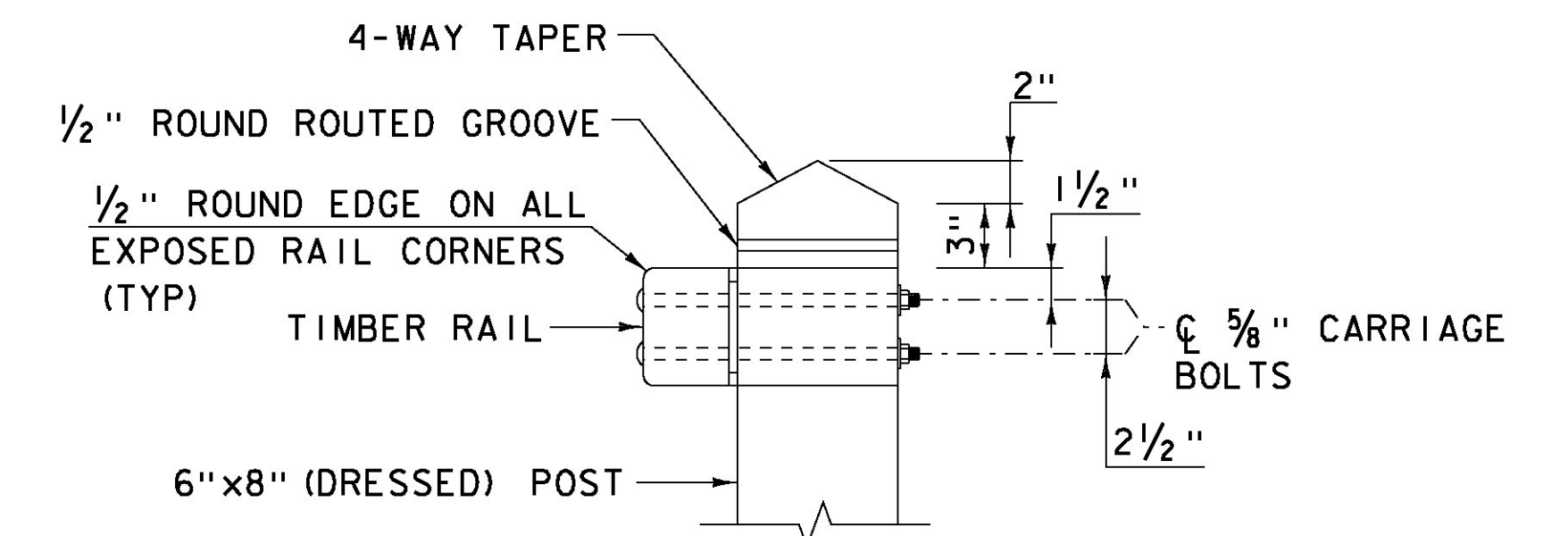
**TYPICAL TIMBER RAIL ASSEMBLY ELEVATION**  
SCALE: 1" = 1'-0"



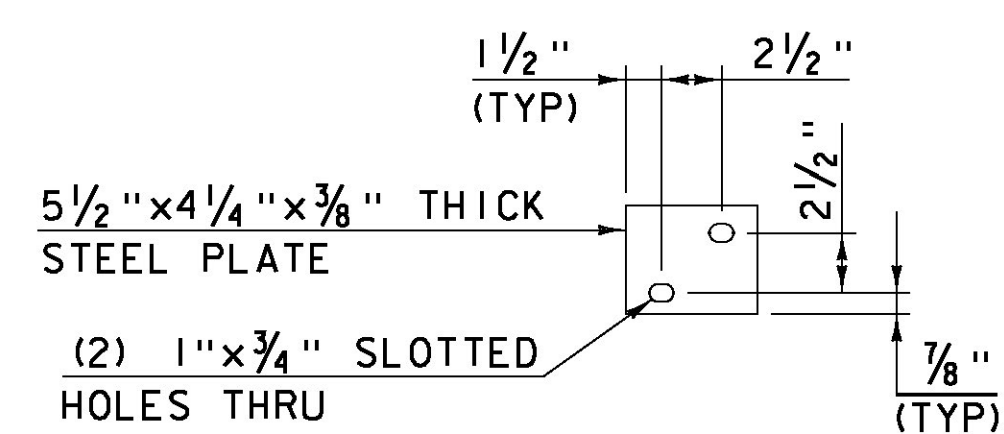
**BENT SPLICE CONNECTION**  
SCALE: 1 1/2" = 1'-0"



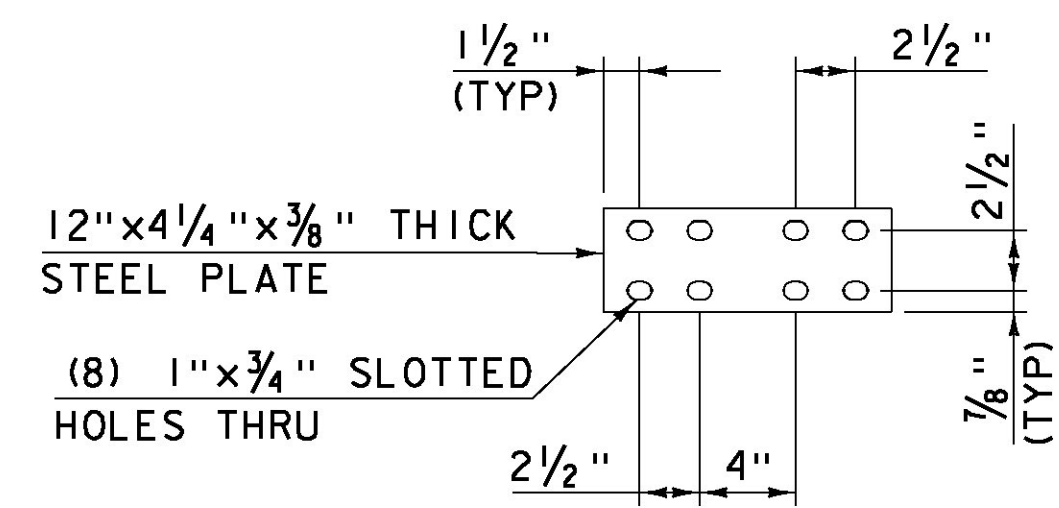
**MODIFIED TIMBER RAIL POST INSTALLATION**  
SCALE: 1" = 1'-0"



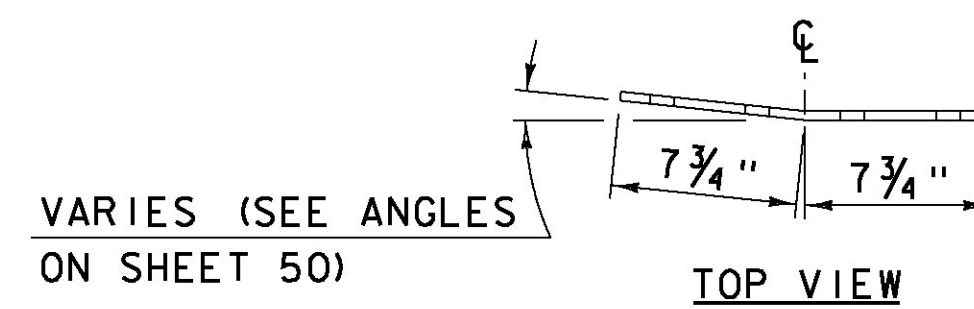
**TIMBER POST DETAIL**  
SCALE: 1 1/2" = 1'-0"



**SPACER PLATE DETAIL**  
SCALE: 1 1/2" = 1'-0"



**SPLICE BACKER PLATE DETAIL**  
SCALE: 1 1/2" = 1'-0"



**BENT SPLICE BACKER PLATE DETAIL**  
SCALE: 1 1/2" = 1'-0"



HTA PROJECT	MODEL
904225	904225Brall

PROJECT NAME:	TOWNSHEND	FILE NAME:	904225Brall.dgn	PLOT DATE:	8/13/2015
PROJECT NUMBER:	STP SCTT(I)	PROJECT LEADER:	M.D.SARGENT	DRAWN BY:	T.A.GELINAS
		DESIGNED BY:	J.C.RIPLEY	CHECKED BY:	S.T.JAMES
		<b>WEST APPROACH RAILING DETAILS</b>			SHEET 51 OF 60

8/13/2015 1:56:42 PM C:\Users\hoyle\OneDrive\904225Brall.dgn