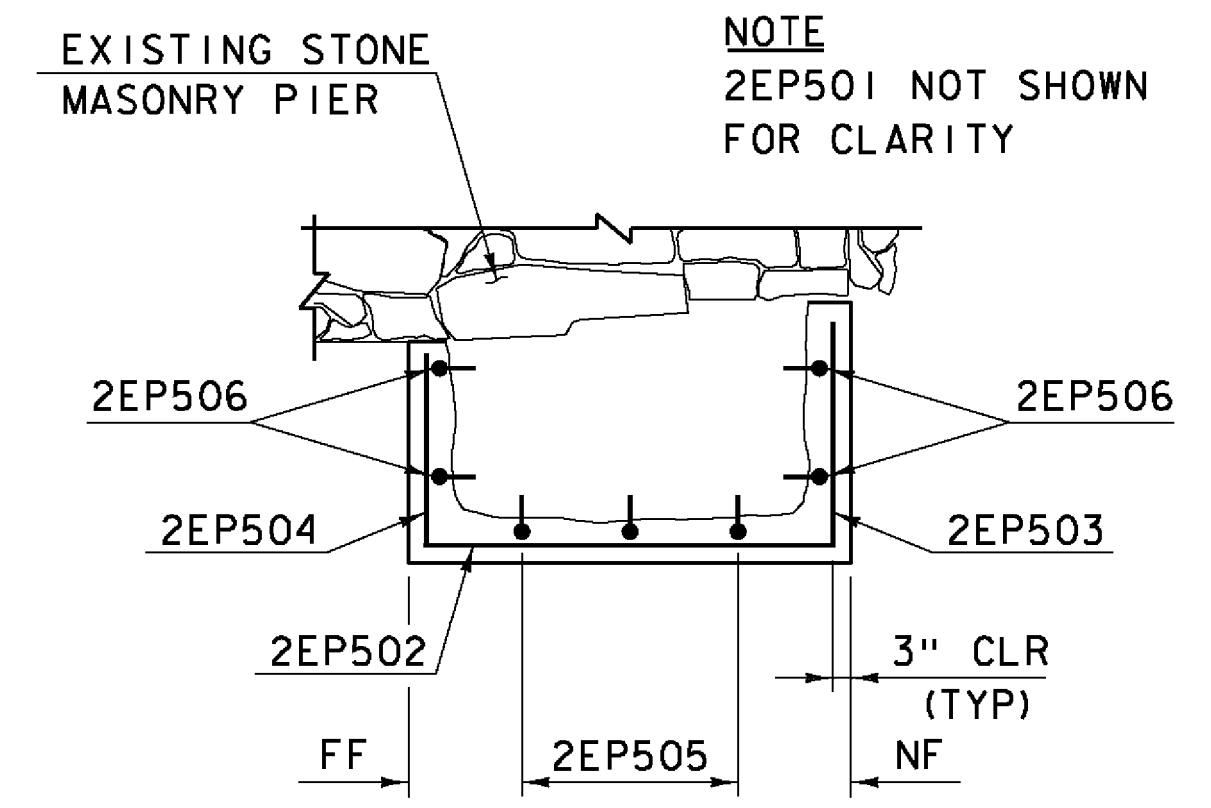
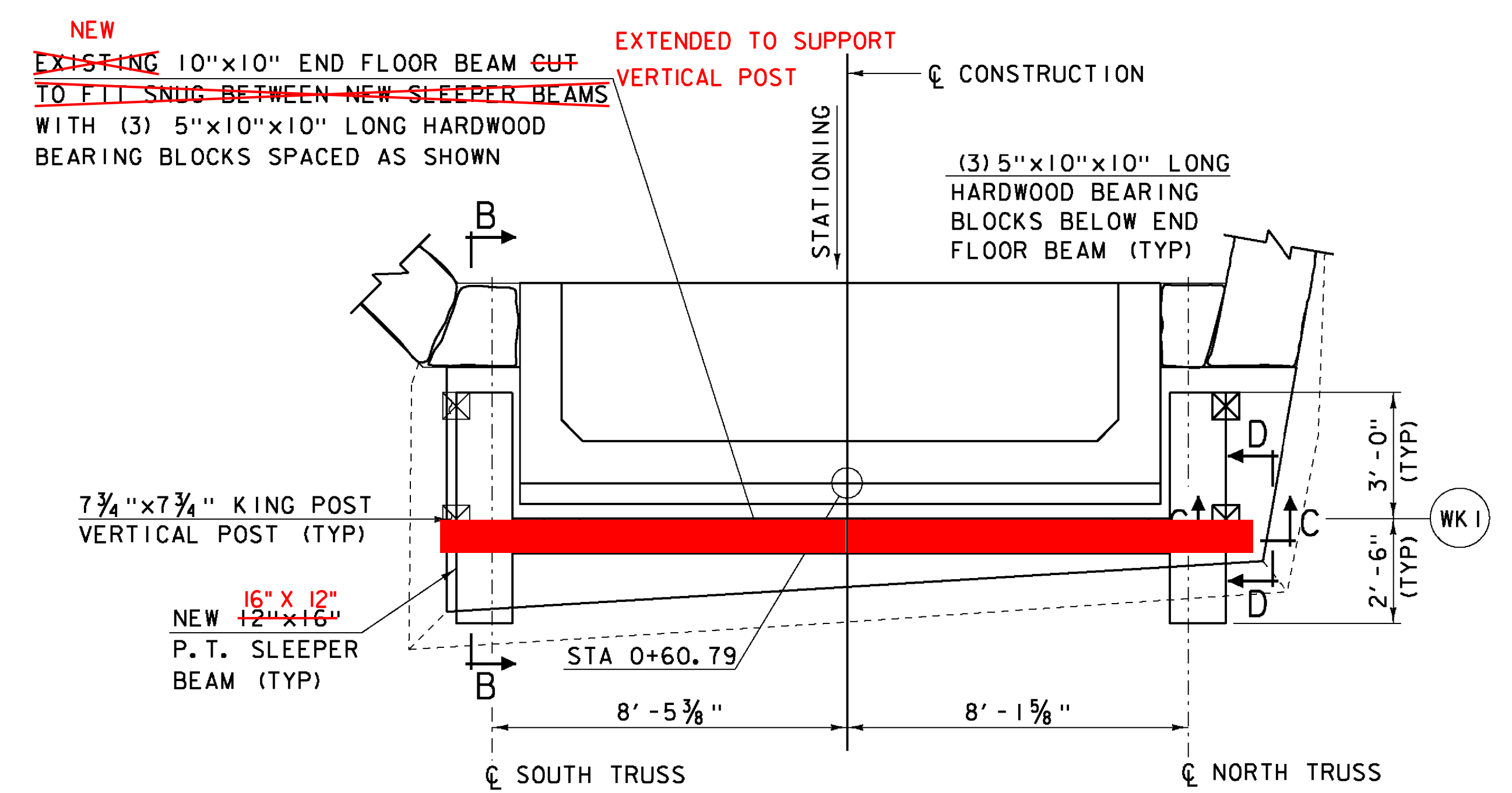


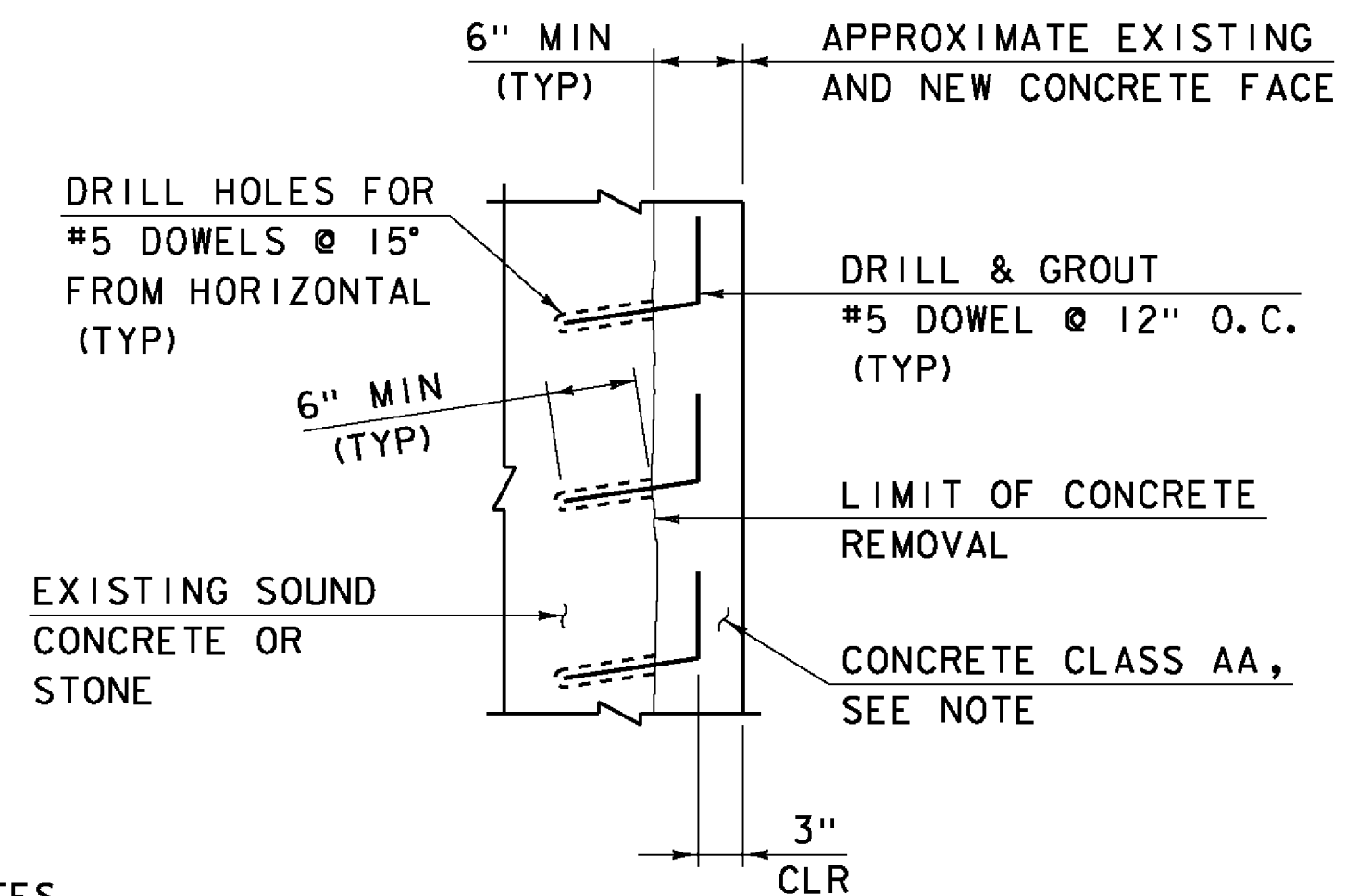
PIER NO. 2 SOUTH PEDESTAL ELEVATION
(WEST SIDE)
SCALE: 3/8" = 1'-0"



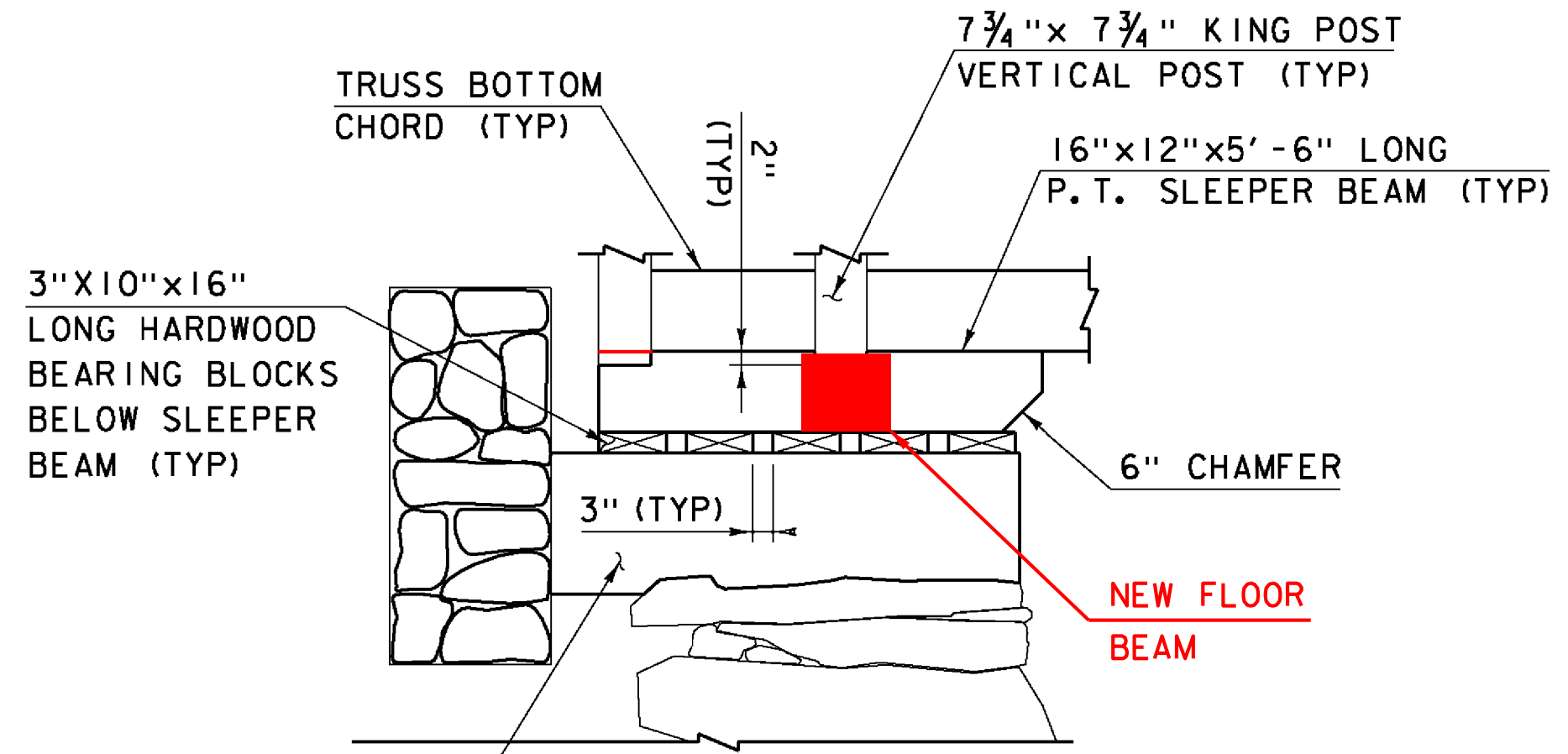
SECTION A-A
SCALE: 3/8" = 1'-0"



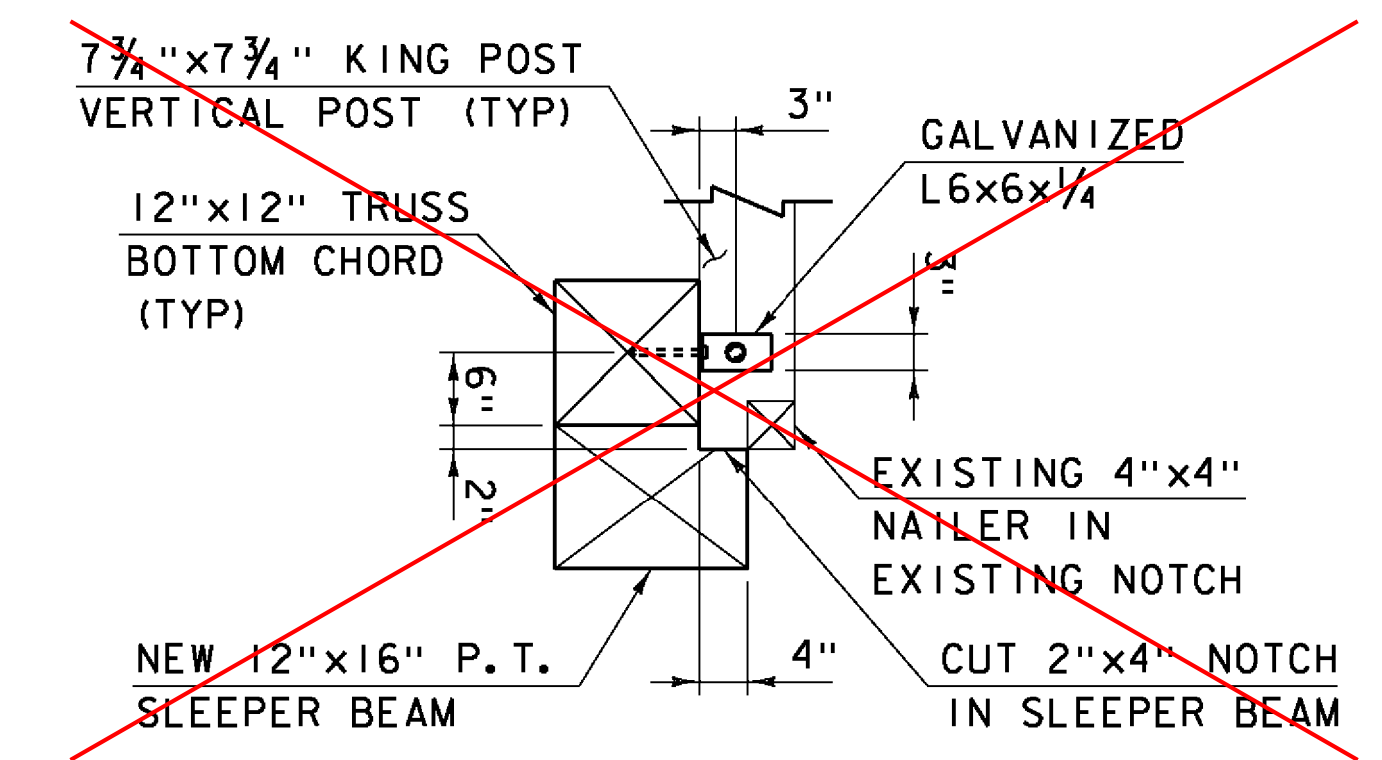
ABUTMENT NO. 1 PROPOSED BEDDING TIMBERS
SCALE: 3/8" = 1'-0"



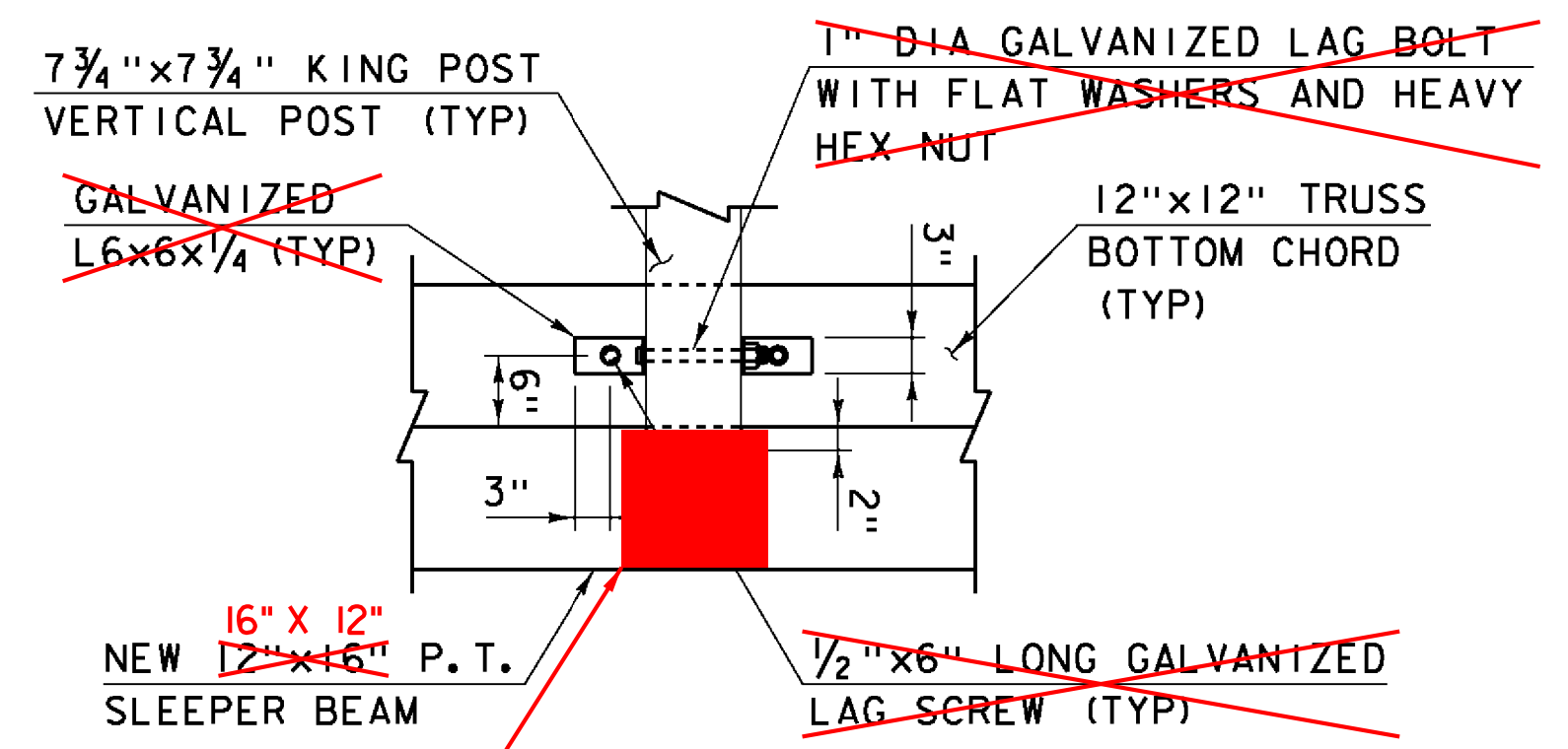
DOWELED CONCRETE REPAIR DETAIL
SCALE: 1" = 1'-0"



SECTION B-B
SCALE: 1/2" = 1'-0"



SECTION C-C
SCALE: 3/4" = 1'-0"



SECTION D-D
SCALE: 3/4" = 1'-0"

LEGEND
NF = NEAR FACE
FF = FAR FACE
EF = EACH FACE
▲ = CUT TO FIT IN FIELD

- NOTES**
- PAYMENT FOR CONCRETE REPAIR WILL BE PAID UNDER ITEM 580.14, REPAIR OF CONCRETE SUBSTRUCTURE SURFACE, CLASS 11.
 - PAYMENT FOR INSTALLING DOWELS WILL BE PAID UNDER ITEM 507.16, DRILLING AND GROUTING DOWELS.

Hoyle, Tanner & Associates, Inc.

HTA PROJECT	MODEL
904225	904225ssDetail2

PROJECT NAME: TOWNSHEND	FILE NAME: 904225ssDetail2.dgn	PLOT DATE: 8/13/2015
PROJECT NUMBER: STP SCTT(I)	PROJECT LEADER: M.D.SARGENT	DRAWN BY: T.A.GELINAS
	DESIGNED BY: J.C.RIPLEY	CHECKED BY: S.T.JAMES
	SUBSTRUCTURE DETAILS (2 OF 3)	SHEET 47 OF 60

8/13/2015 10:04:25 AM K:\04225\ssDetail2.dgn