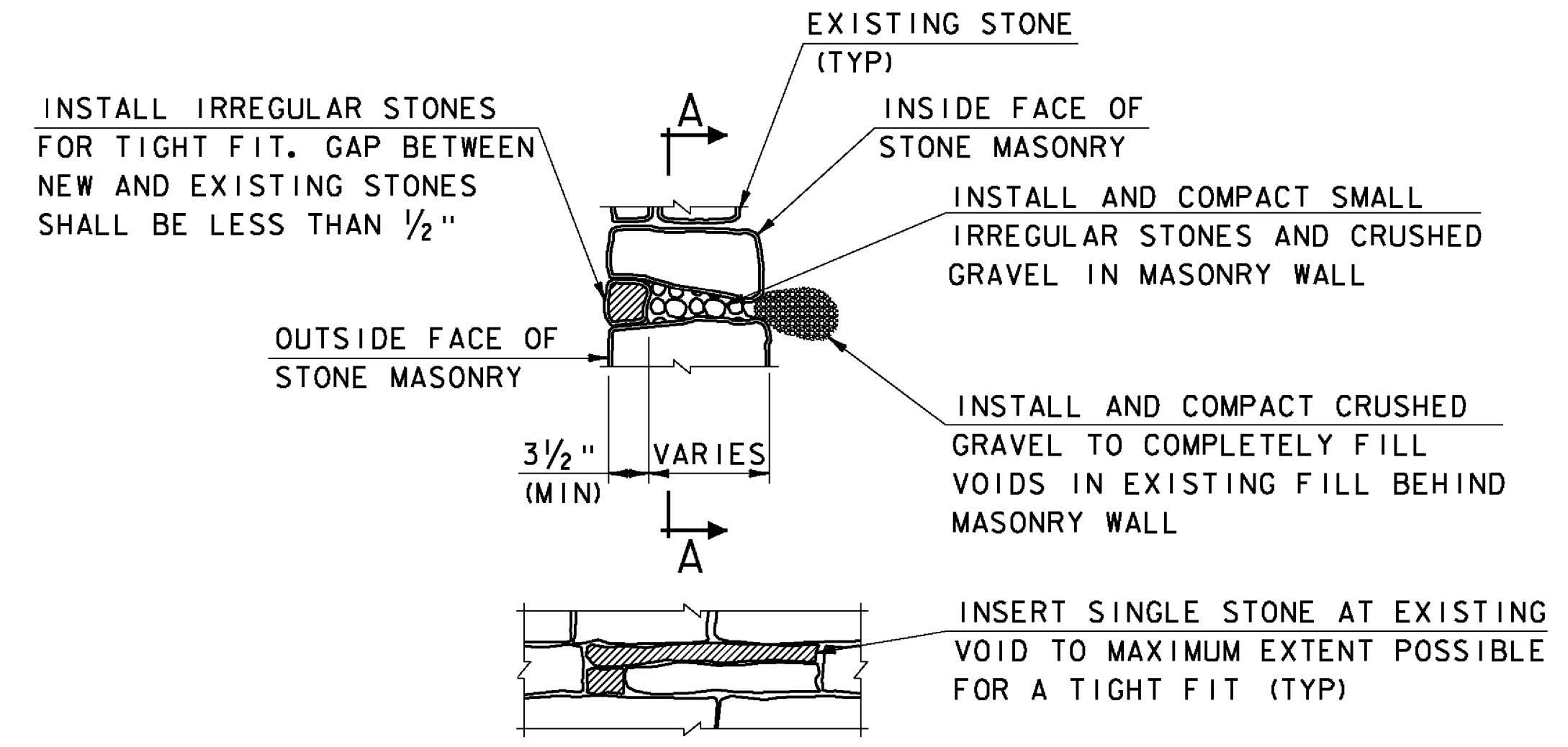


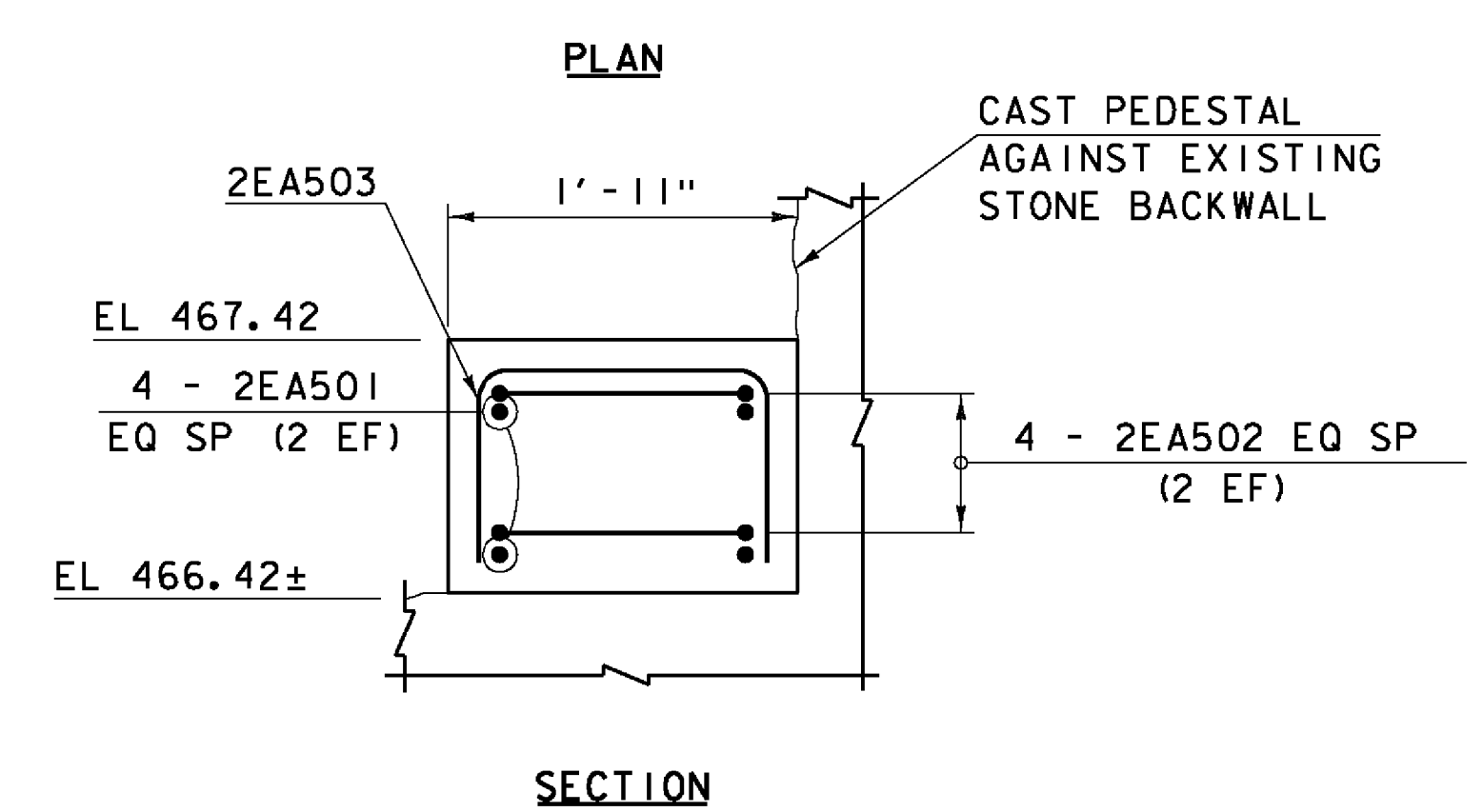
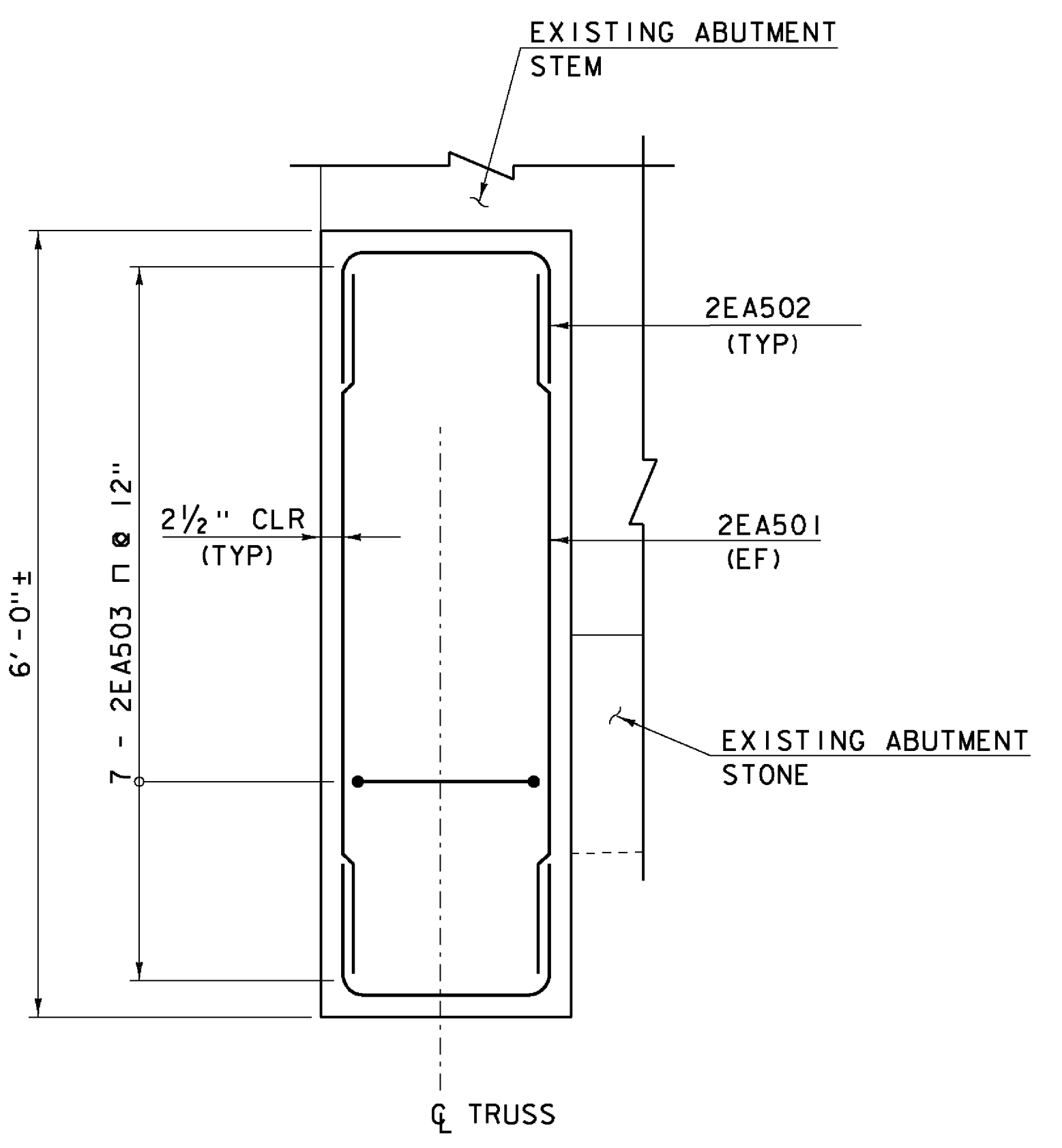
- NOTES**
- BACKWALL REPAIR WILL BE PAID UNDER ITEM 580.14, REPAIR OF CONCRETE SUBSTRUCTURE SURFACE, TYPE 11.
 - DRILLING AND GROUTING WILL BE PAID UNDER ITEM 507.16, DRILLING AND GROUTING BARS.
 - SAWCUT EACH END OF REPAIR AREA. COST PAID UNDER ITEM 580.14, REPAIR OF CONCRETE SUBSTRUCTURE SURFACE, TYPE 11.

ABUTMENT NO. 2 BACKWALL REPAIR DETAIL
SCALE: 1" = 1'-0"

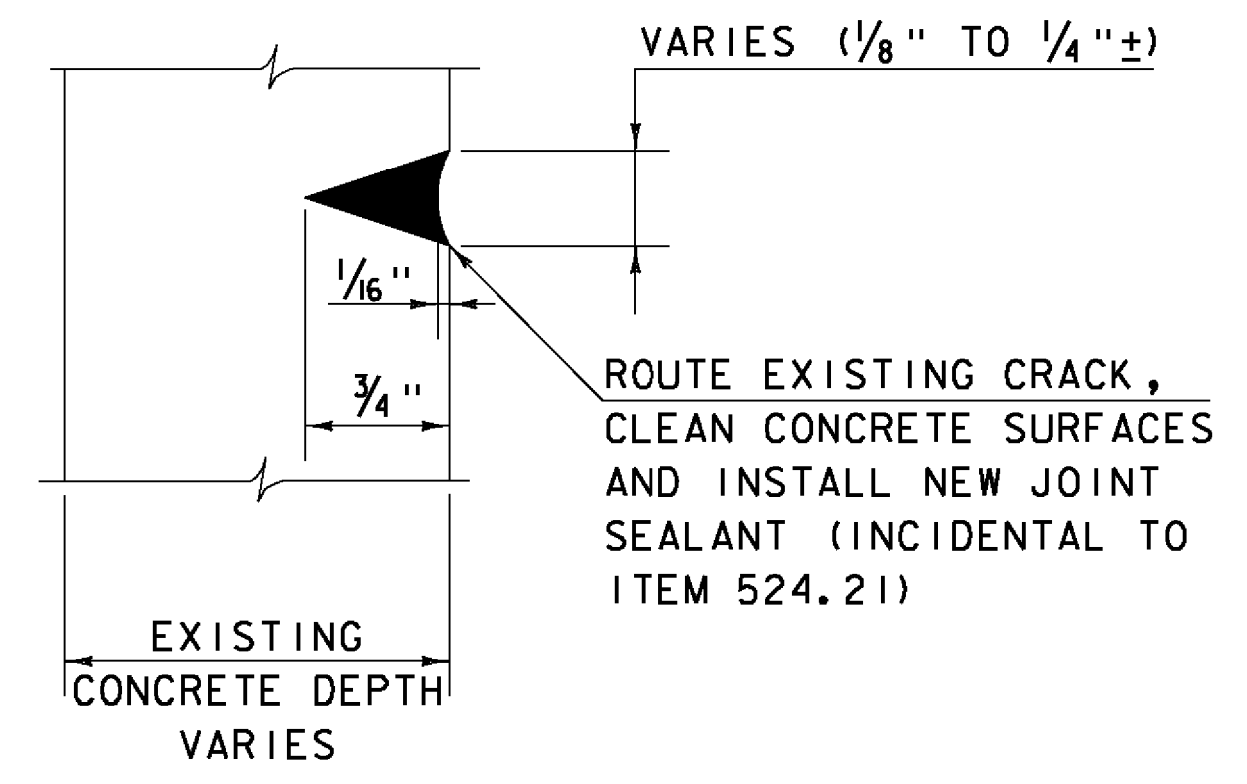


NOTE
WORK SHALL CONFORM TO AND BE PAID UNDER ITEM 602.40, REPAIRING STONE MASONRY

SECTION A-A
NOT TO SCALE
STONE MASONRY REPAIR DETAIL
NOT TO SCALE

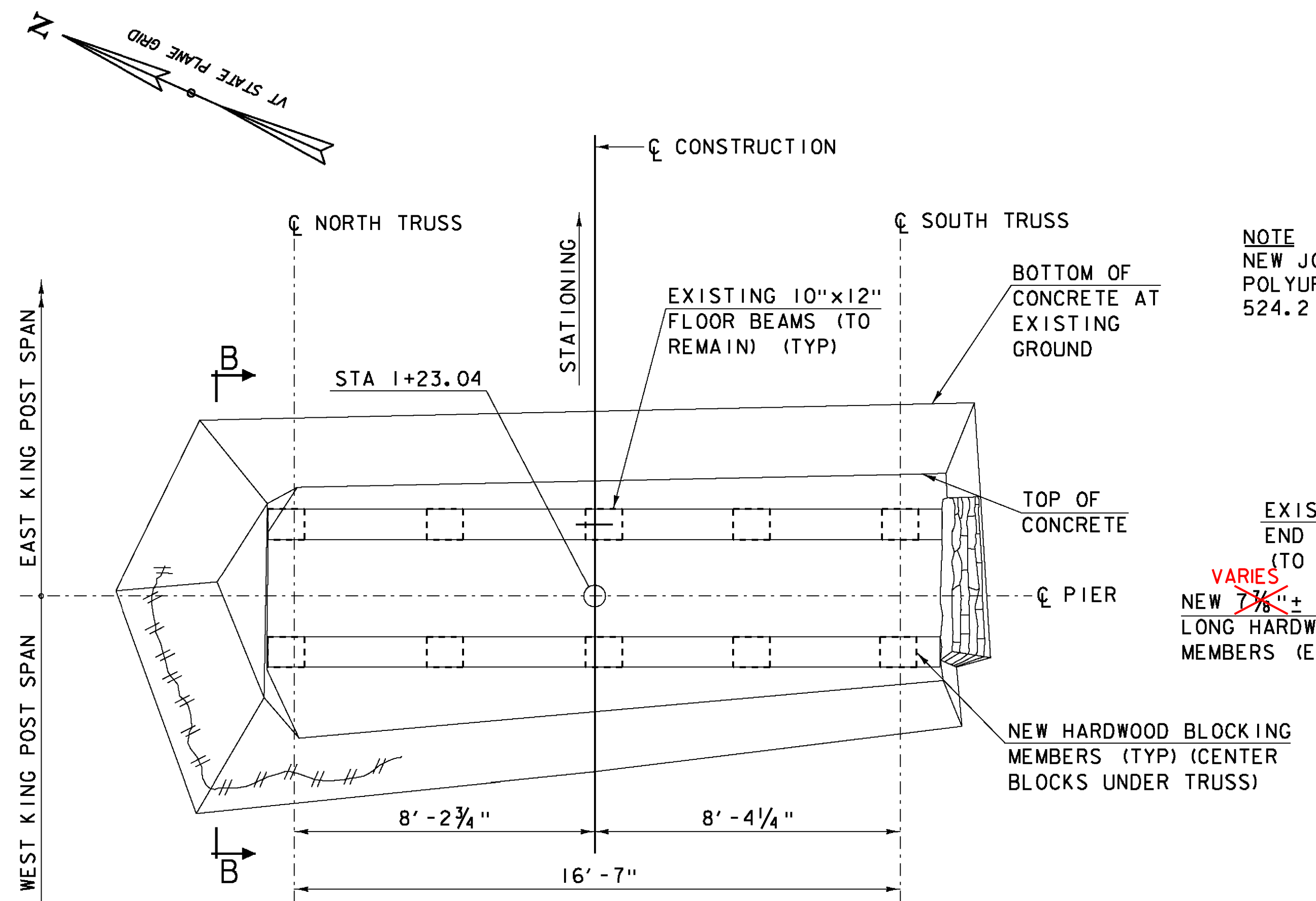


SECTION
ABUTMENT NO. 2 PEDESTAL REINFORCEMENT
SCALE: 1" = 1'-0"

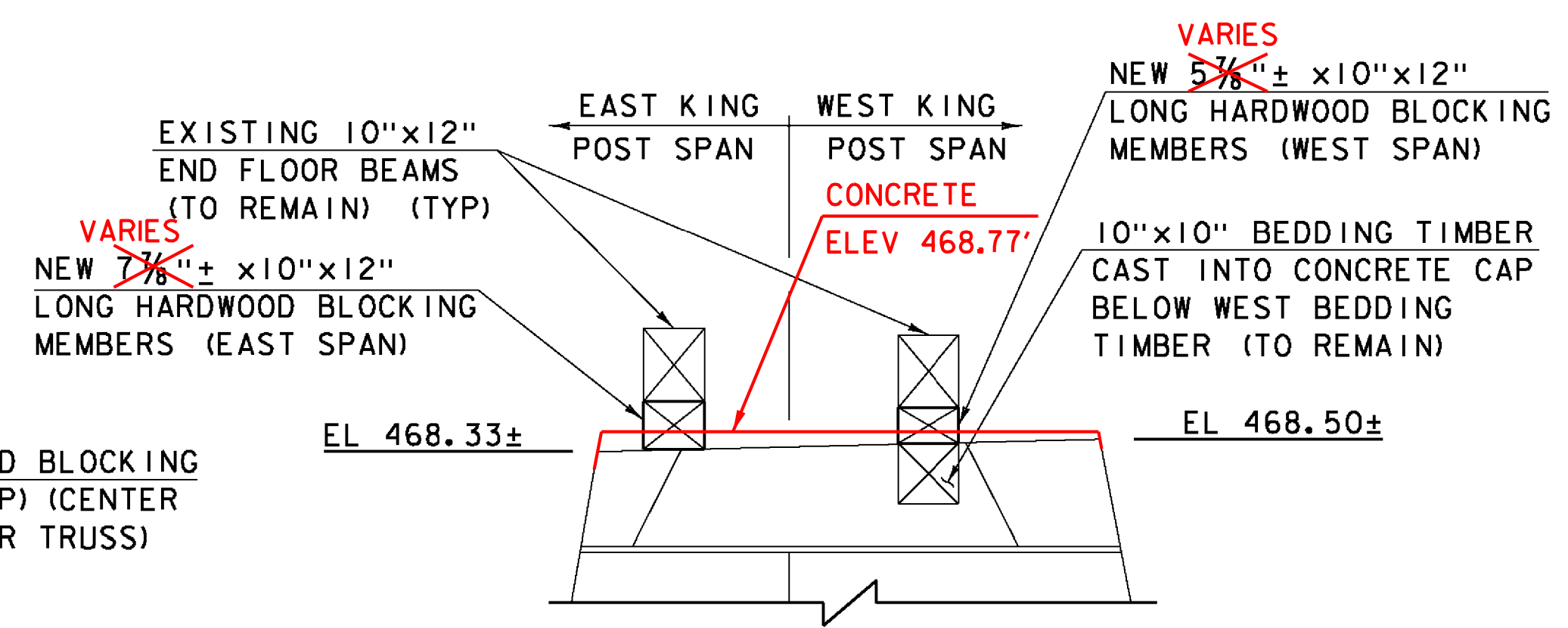


NOTE
NEW JOINT SEALANT SHALL BE AN APPROVED ONE COMPONENT POLYURETHANE ELASTOMERIC SEALANT COMPLYING WITH ITEM 524.21, JOINT SEALER, POLYURETHANE.

CRACK SEAL DETAIL
NOT TO SCALE



PIER NO. 1 PROPOSED BEDDING TIMBER DETAIL
SCALE: 3/8" = 1'-0"



SECTION B-B
SCALE: 1/2" = 1'-0"

- LEGEND**
- NF = NEAR FACE
 - FF = FAR FACE
 - EF = EACH FACE
 - ▲ = CUT TO FIT IN FIELD

Hoyle, Tanner & Associates, Inc.

HTA PROJECT	MODEL
904225	904225ssDetail

PROJECT NAME: TOWNSEND	FILE NAME: 904225ssDetail.dgn	PLOT DATE: 8/13/2015
PROJECT NUMBER: STP SCTT(1)	PROJECT LEADER: M.D.SARGENT	DRAWN BY: T.A.GELINAS
	DESIGNED BY: J.C.RIPLEY	CHECKED BY: S.T.JAMES
	SUBSTRUCTURE DETAILS (1 OF 3)	SHEET 46 OF 60

8/13/2015 1:00:25 PM K:\04225\ssDetail.dgn