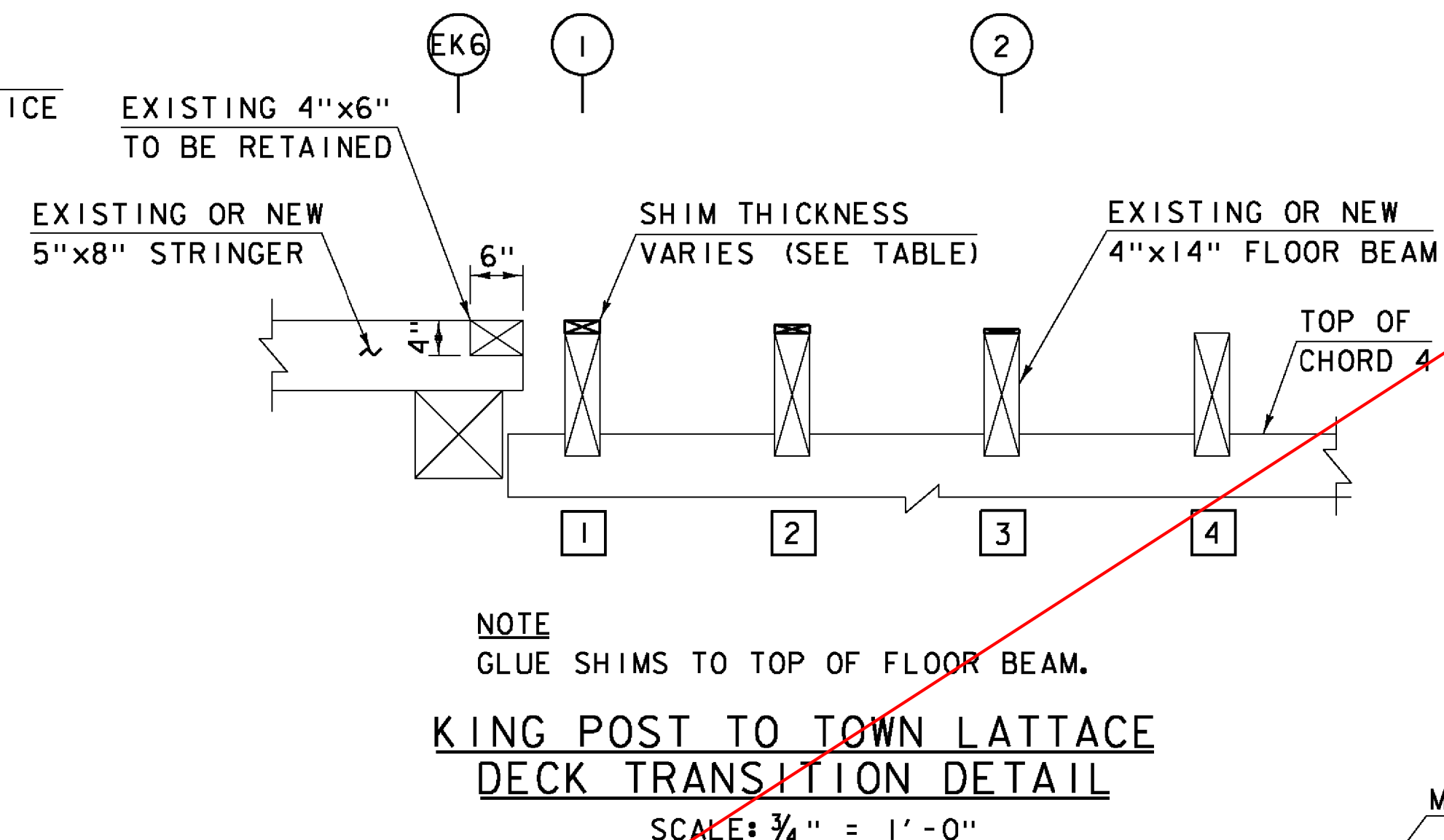
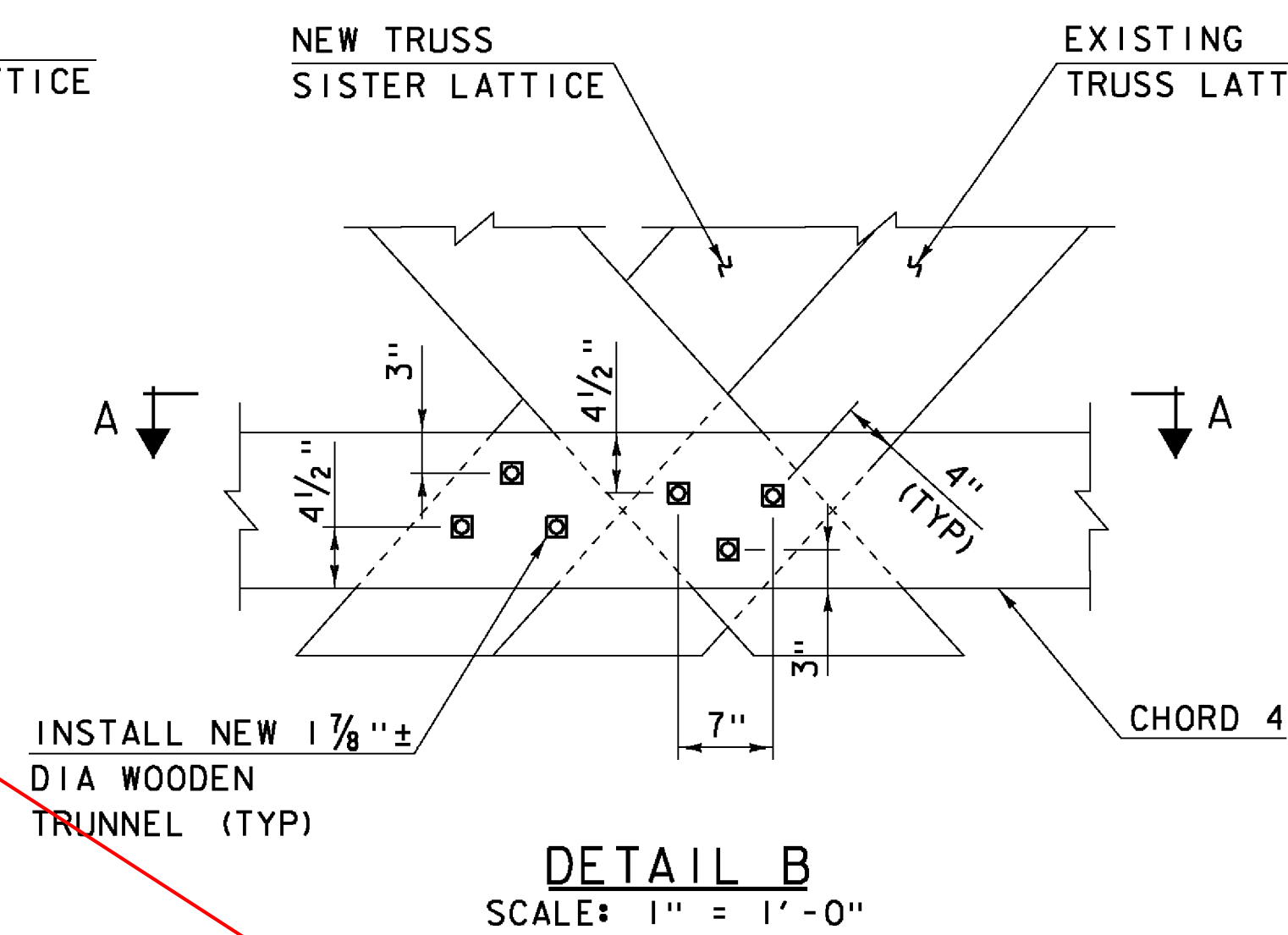
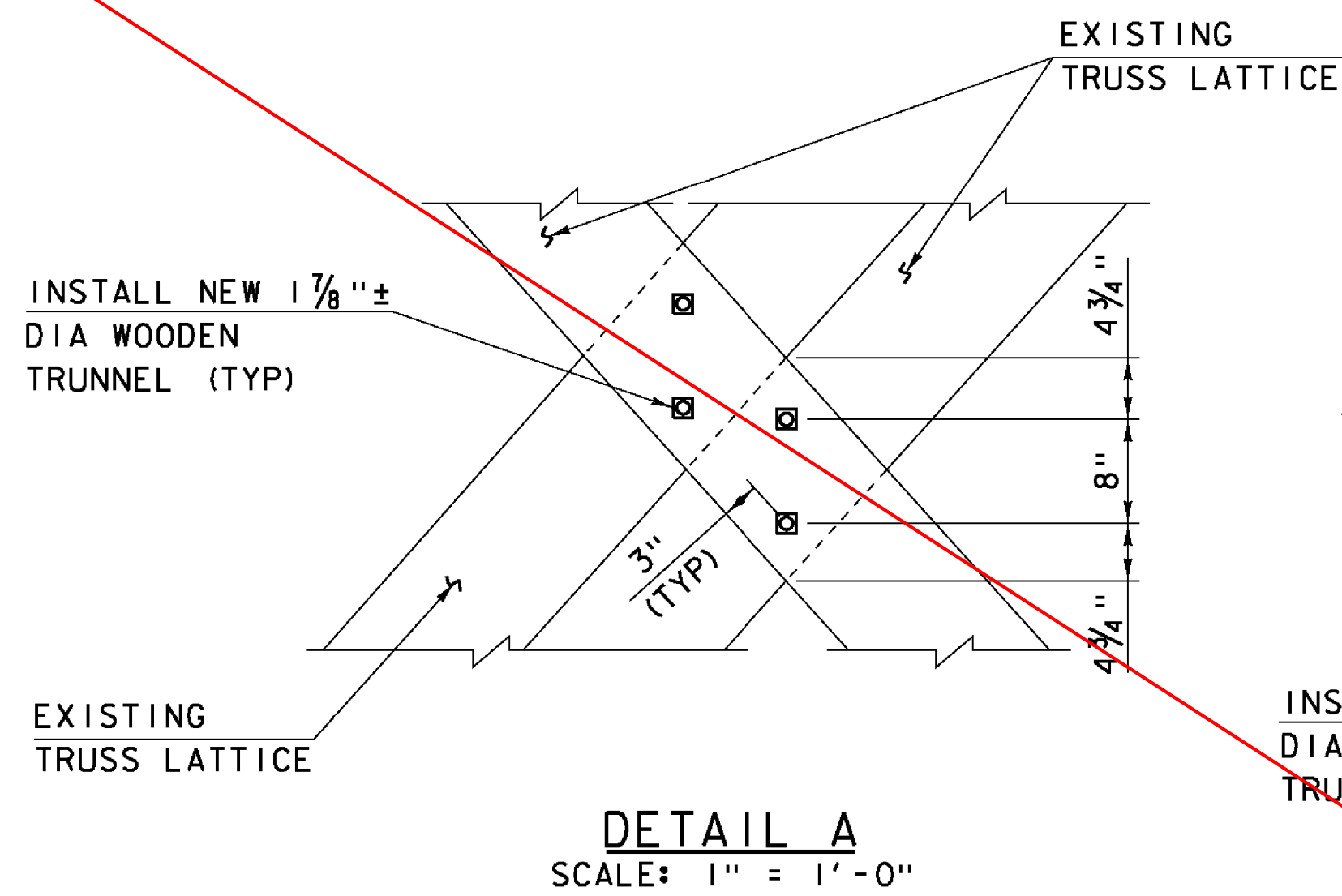
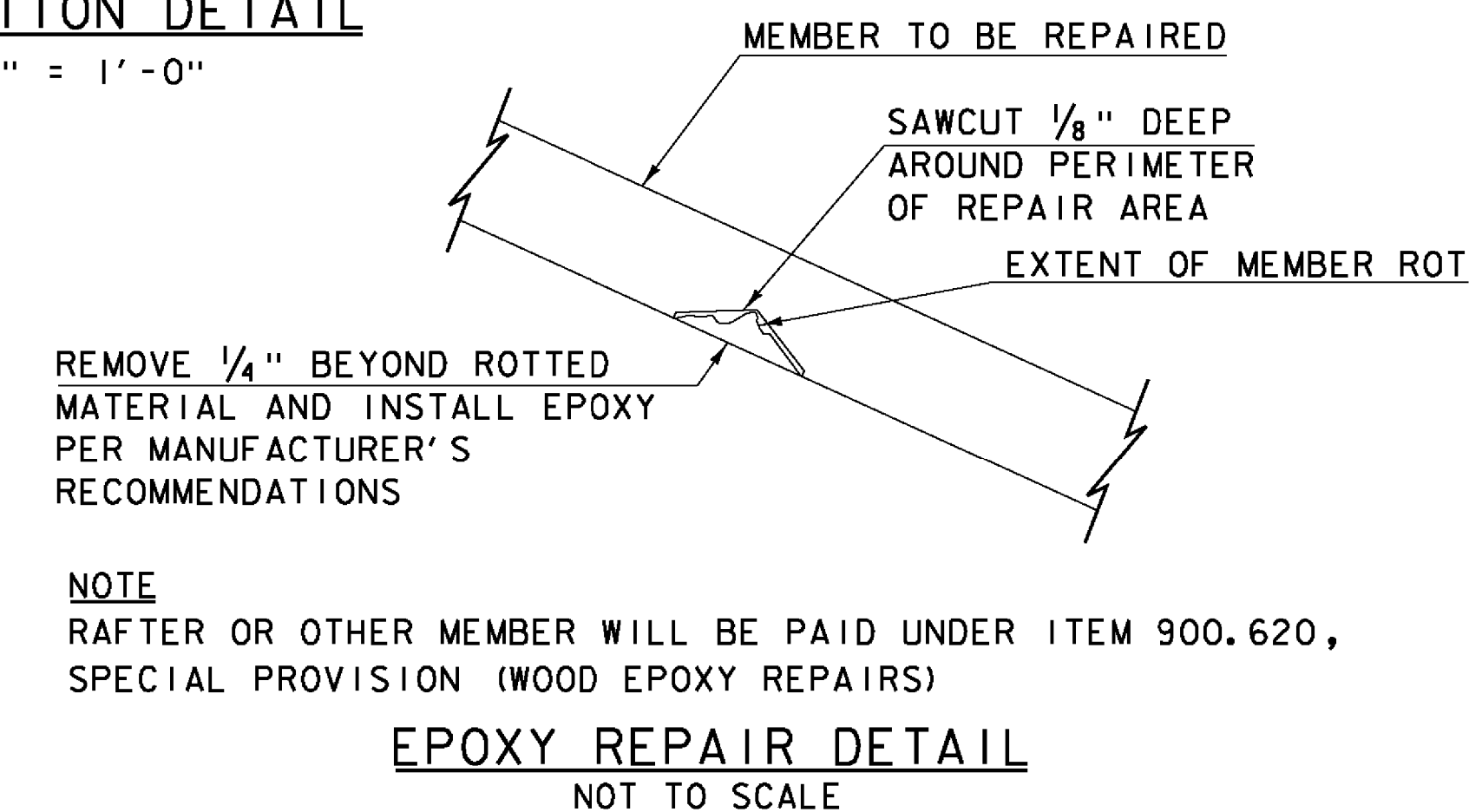
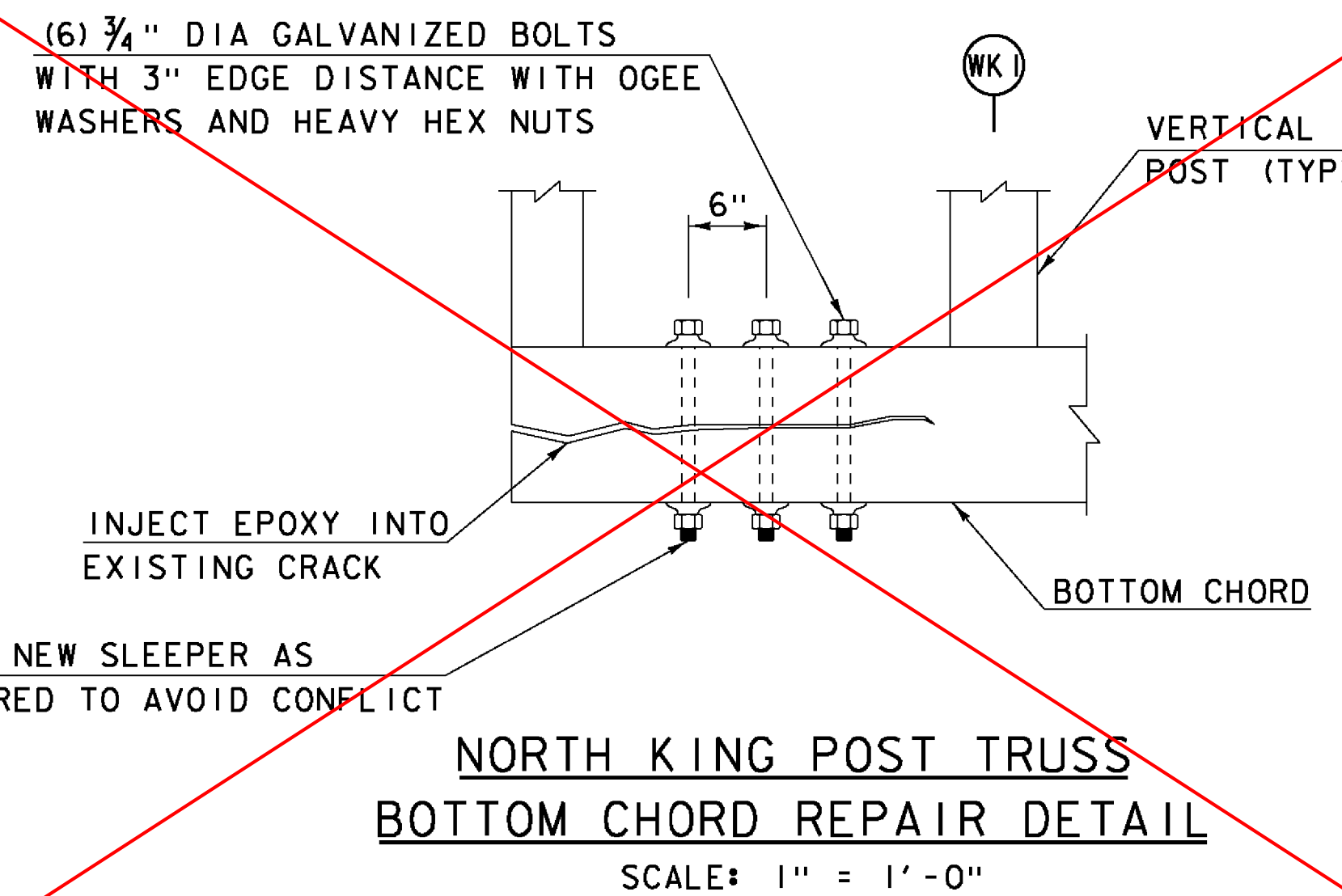
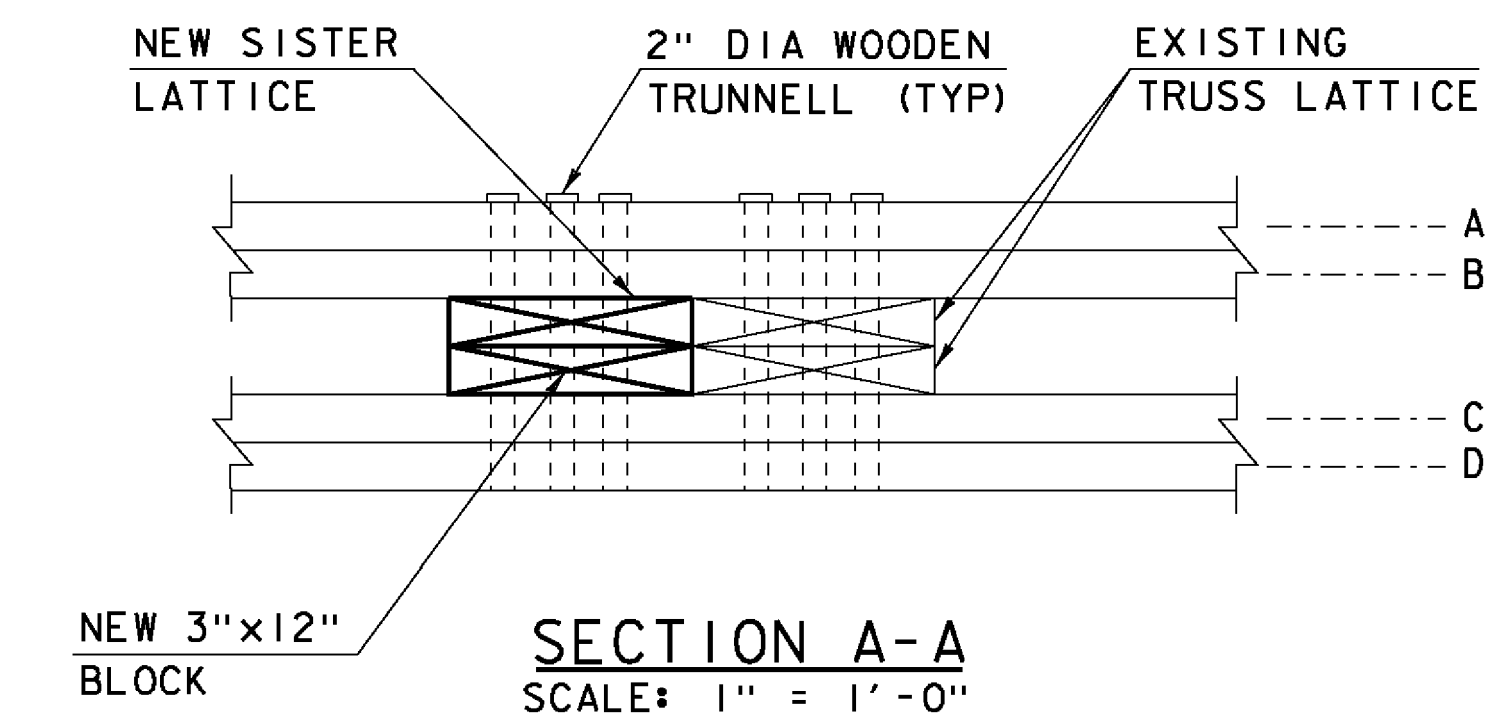


SEE REVISED
SHEET 45B



FLOOR BEAM	SHIM THICKNESS (INCHES)
1	1.5
2	1
3	0.5
4	0

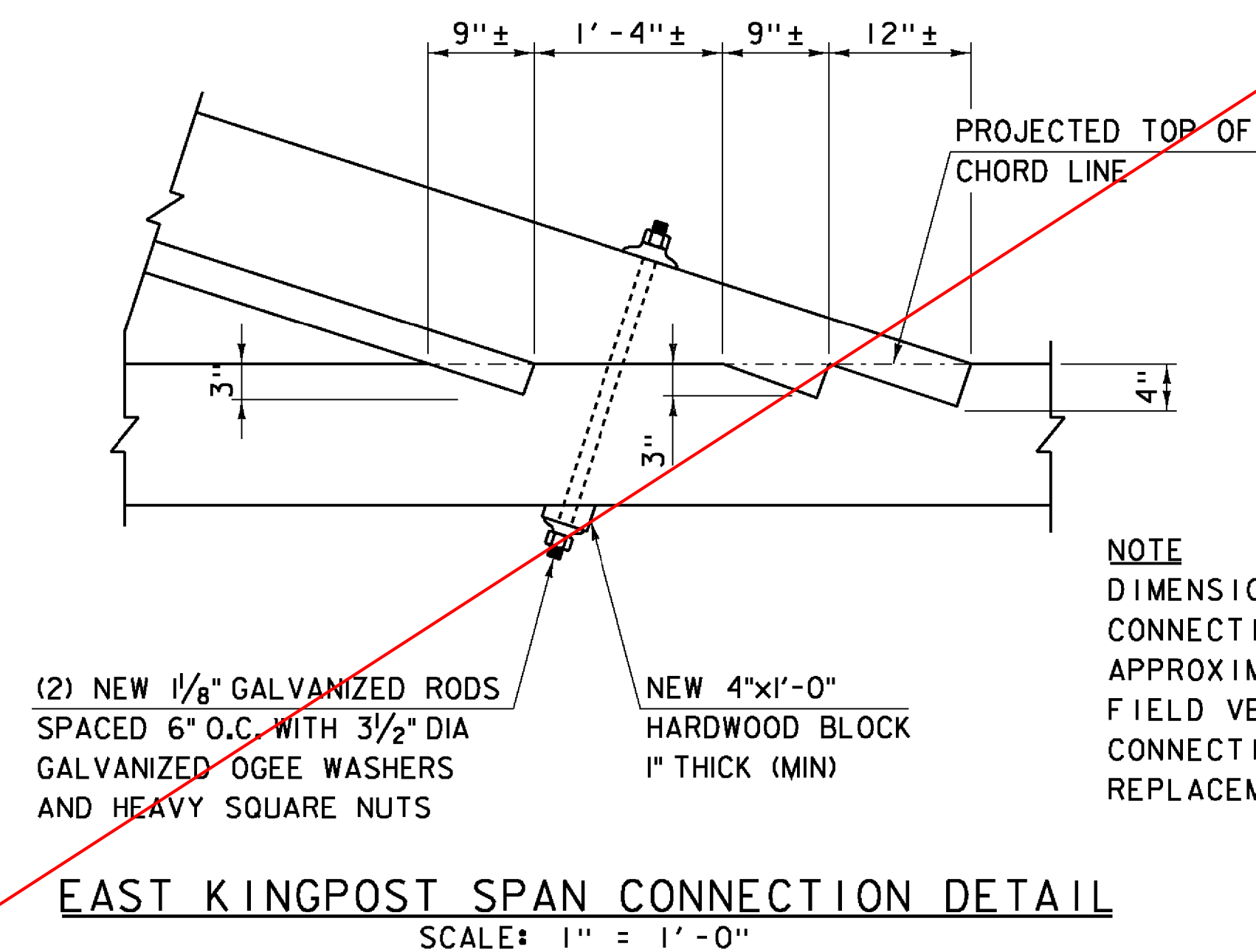


RECOMMENDED REPAIR SEQUENCE

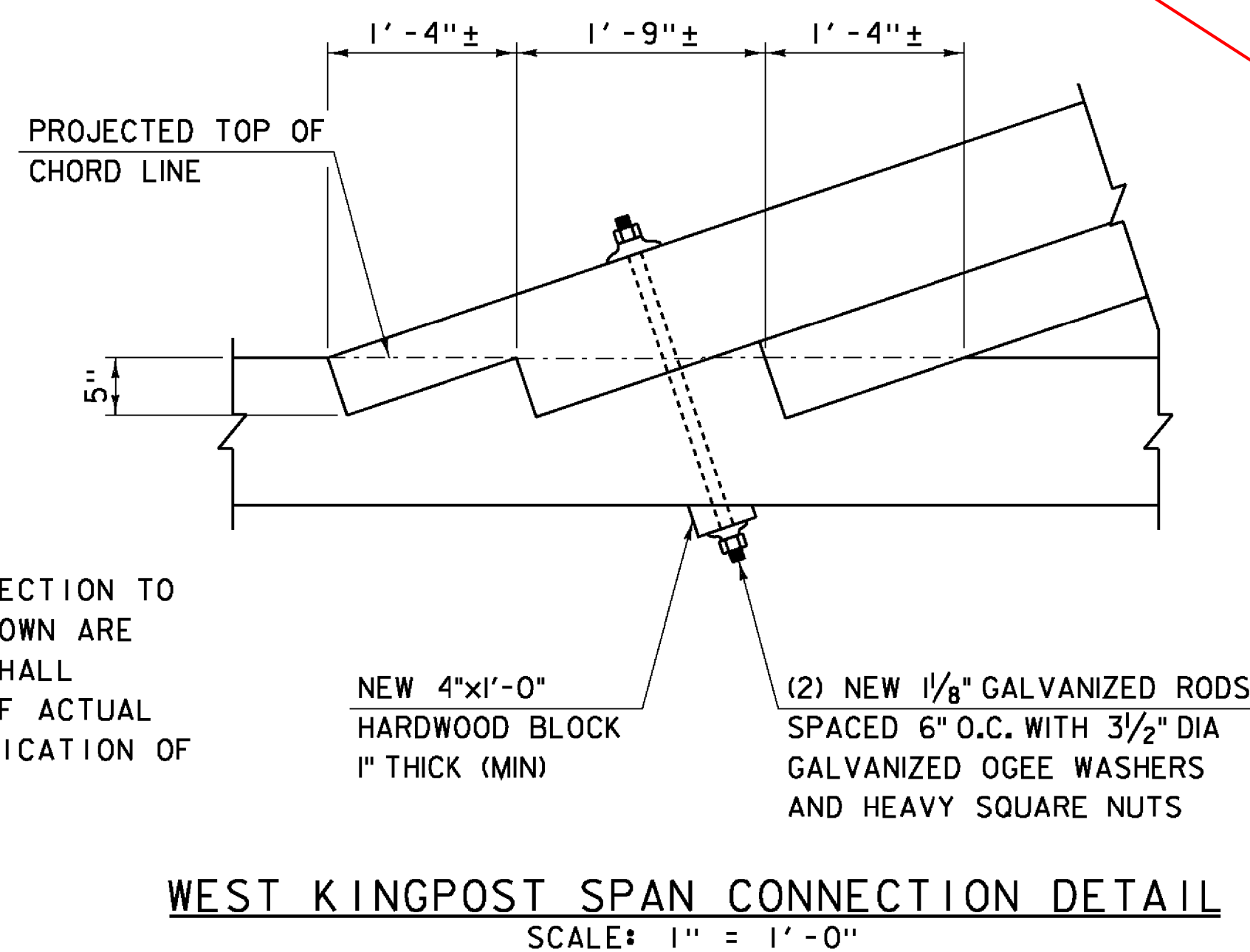
1. IDENTIFIED ROTTED MATERIAL IN LUMBER AND TIMBER MEMBERS, IF LESS THAN 1 INCH IN DEPTH, SHALL BE REPAIRED AS SHOWN ABOVE ON THE "EPOXY REPAIR DETAIL". IF ROT IS GREATER THAN 1 INCH IN DEPTH, THE ENTIRE MEMBER SHALL BE REPLACED AS DIRECTED BY THE RESIDENT ENGINEER.
2. REMOVE ALL ROTTED MATERIAL TO A MINIMUM OF 1/4" BEYOND EXTENT OF ROT. SAWCUT 1/4" DEEP AROUND PERIMETER OF REPAIR AREA.
3. CLEAN EXISTING MEMBER OF ALL DIRT, SAWDUST, ETC. AND PREPARE SURFACE PER MANUFACTURER'S RECOMMENDATIONS.
4. INSTALL/INJECT APPROVED EPOXY REPAIR MATERIAL PER MANUFACTURER'S RECOMMENDATIONS, (PAID UNDER ITEM 900.620, SPECIAL PROVISION (WOOD EPOXY REPAIRS)). COLOR OF REPAIR MATERIAL TO MATCH EXISTING WOOD. A COMPLETED TEST SECTION SHALL BE MADE FOR APPROVAL BY THE RESIDENT ENGINEER.
5. INSTALL TWO GALVANIZED LAG SCREWS INTO EXISTING SPLIT THROUGH REPAIR MATERIAL (IF REQUIRED). SIZE OF LAG SCREWS TO BE DETERMINED BY THE RESIDENT ENGINEER.

NOTE

1. SEE SHEET 41 FOR NOTES PERTAINING TO THIS SHEET.



NOTE
DIMENSIONS VARY FROM CONNECTION TO CONNECTION. DIMENSIONS SHOWN ARE APPROXIMATE. CONTRACTOR SHALL FIELD VERIFY DIMENSIONS OF ACTUAL CONNECTIONS PRIOR TO FABRICATION OF REPLACEMENT ELEMENT.



Hoyle, Tanner & Associates, Inc.

HTA PROJECT	MODEL
904225	904225Detail5

PROJECT NAME: TOWNSHEND	PROJECT NUMBER: STP SCTT(1)
FILE NAME: 904225Detail5.dgn	PLOT DATE: 8/13/2015
PROJECT LEADER: M.D.SARGENT	DRAWN BY: T.A.OELINAS
DESIGNED BY: J.C.RIPLEY	CHECKED BY: S.T.JAMES
STRUCTURAL DETAILS (5 OF 5)	SHEET 45A OF 60