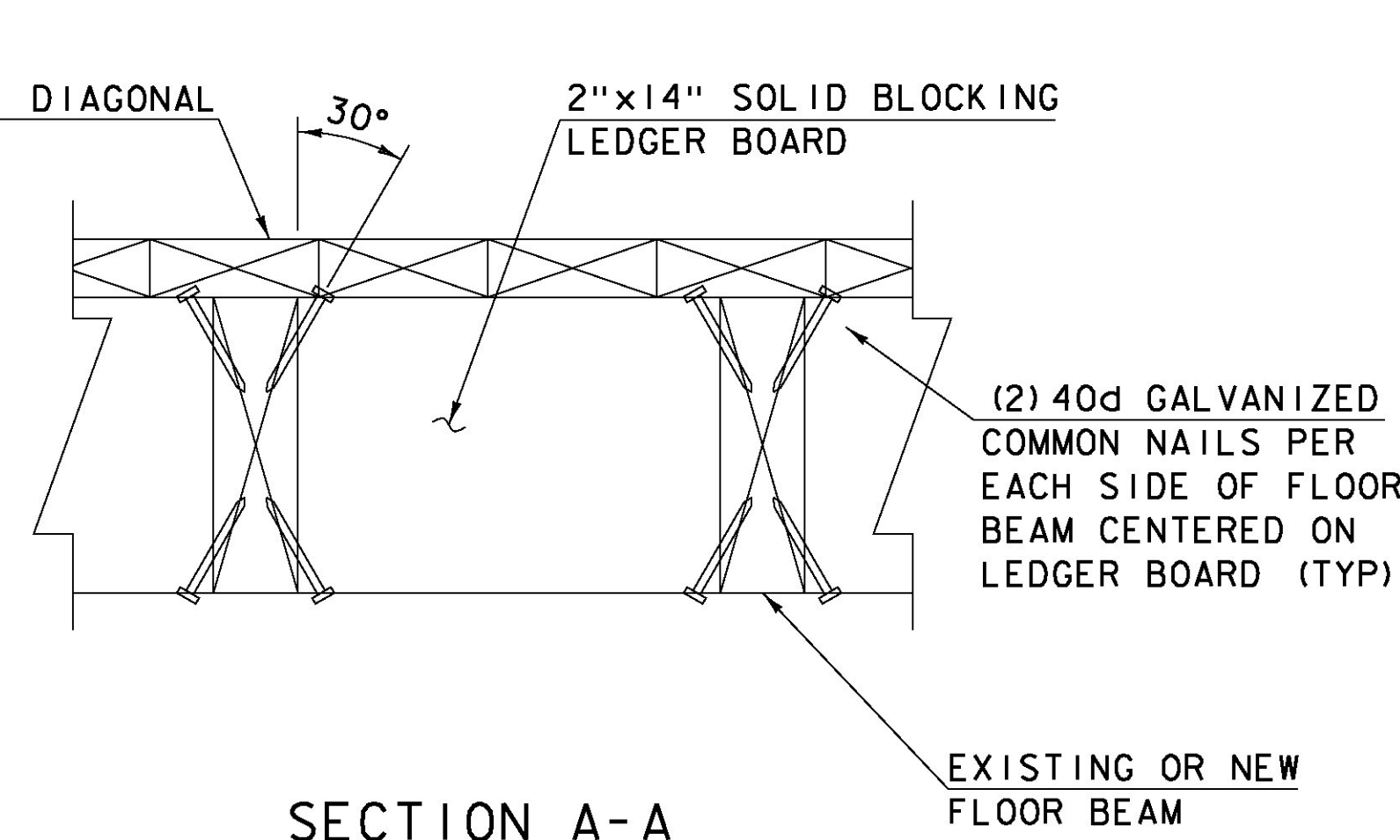
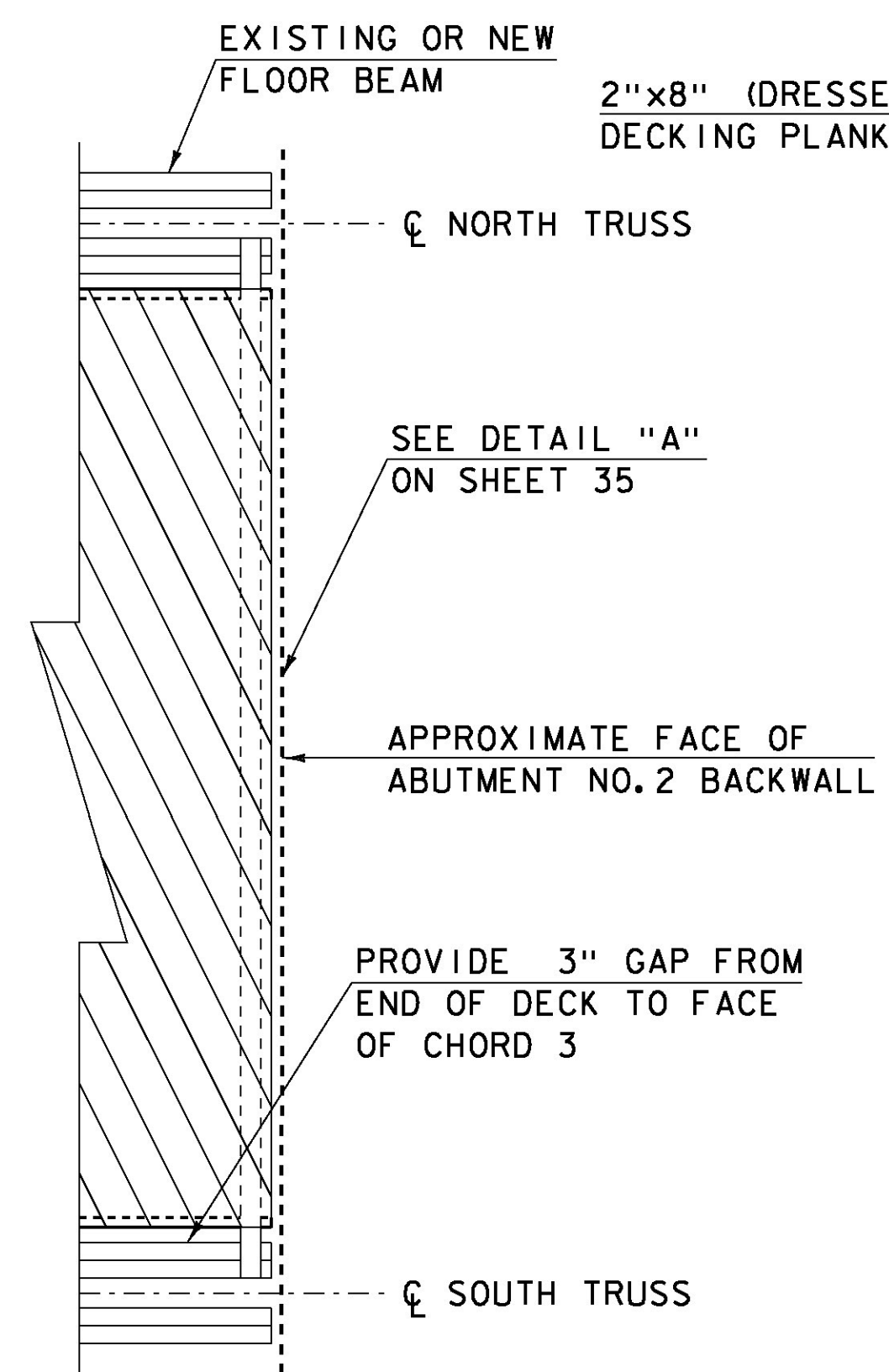
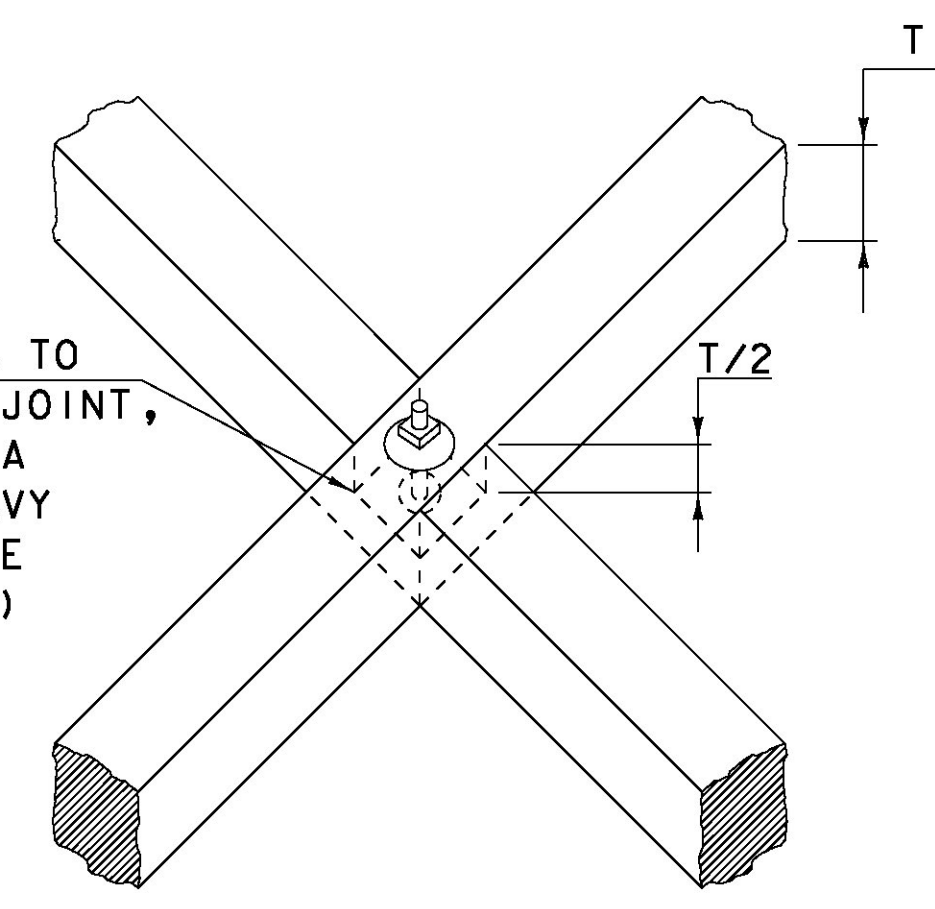


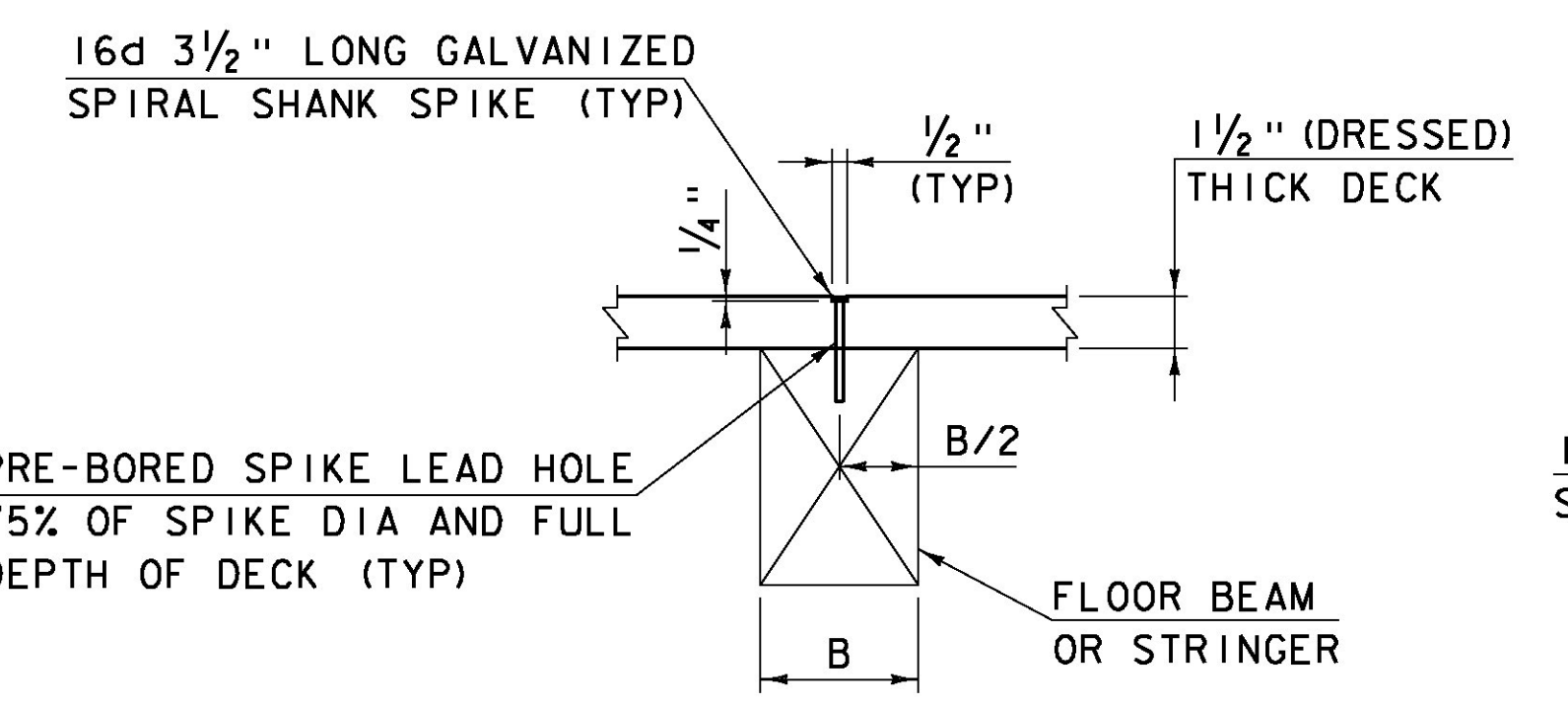
NOTE  
DECK PARTIALLY SHOWN FOR CLARITY.  
**TOWN LATTICE DECK DETAIL**  
SCALE: 3/8" = 1'-0"



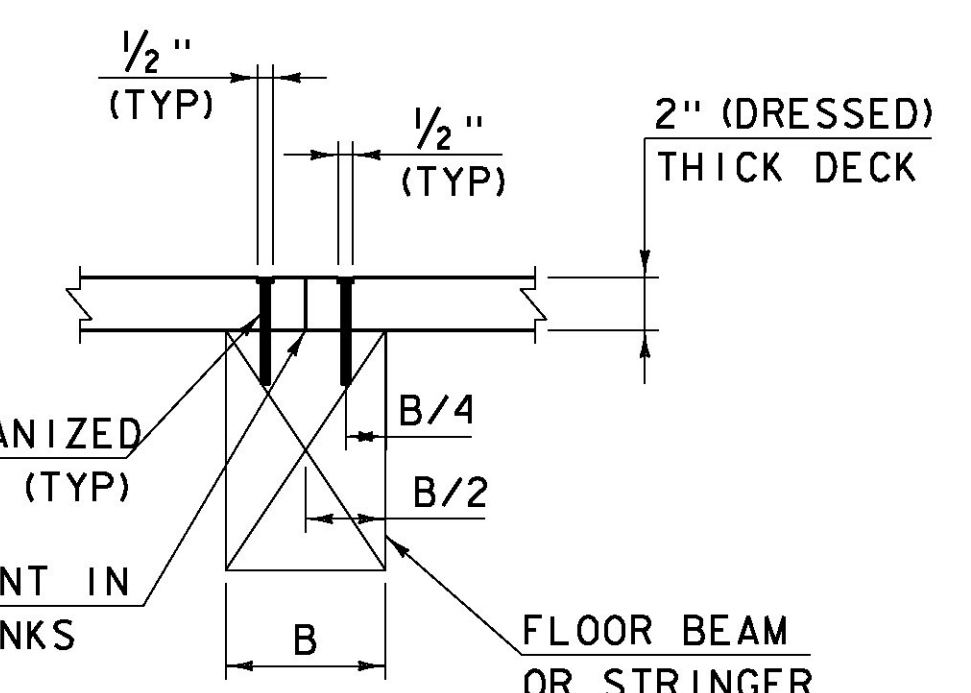
**SECTION A-A**  
SCALE: 1/2" = 1'-0"



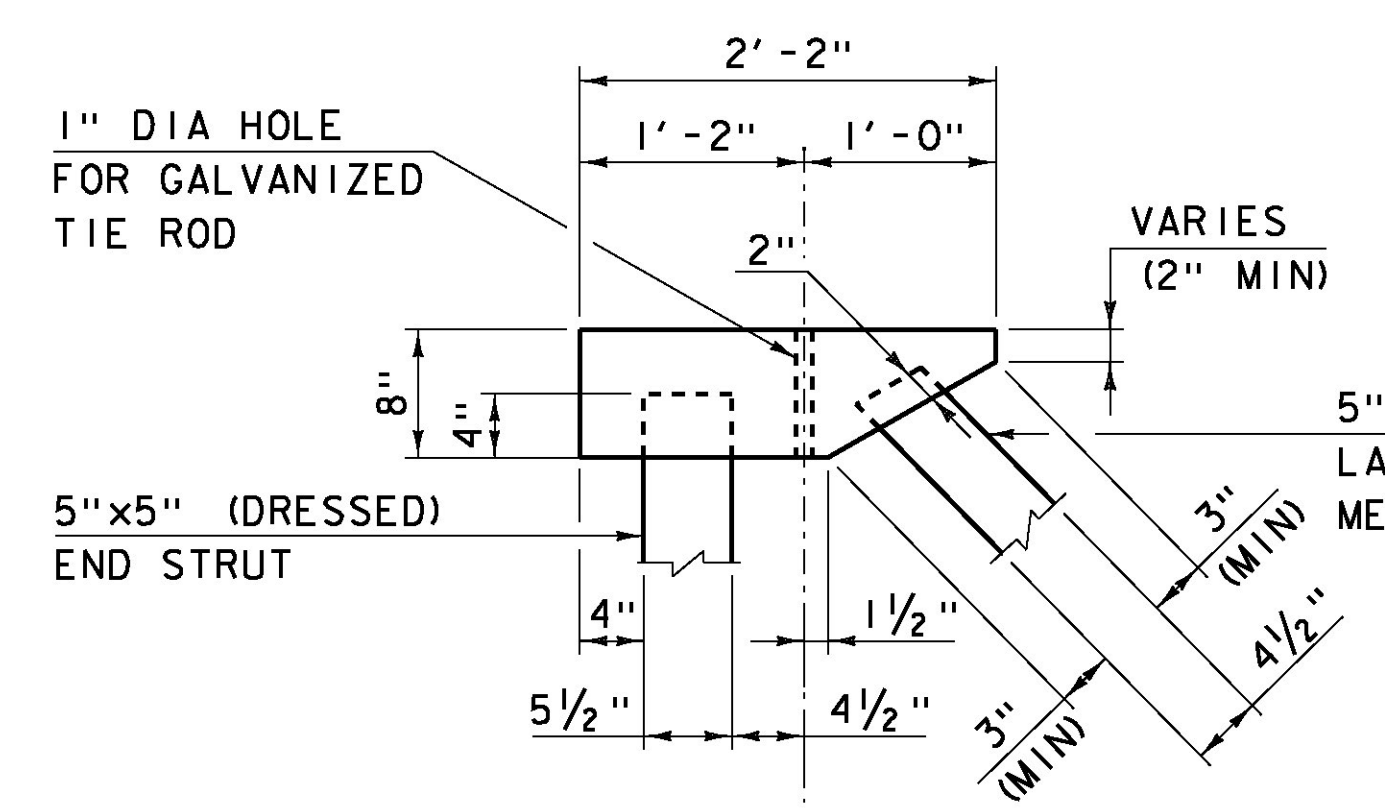
**TOWN LATTICE LOWER LATERAL BRACING CONNECTION DETAIL**  
NOT TO SCALE



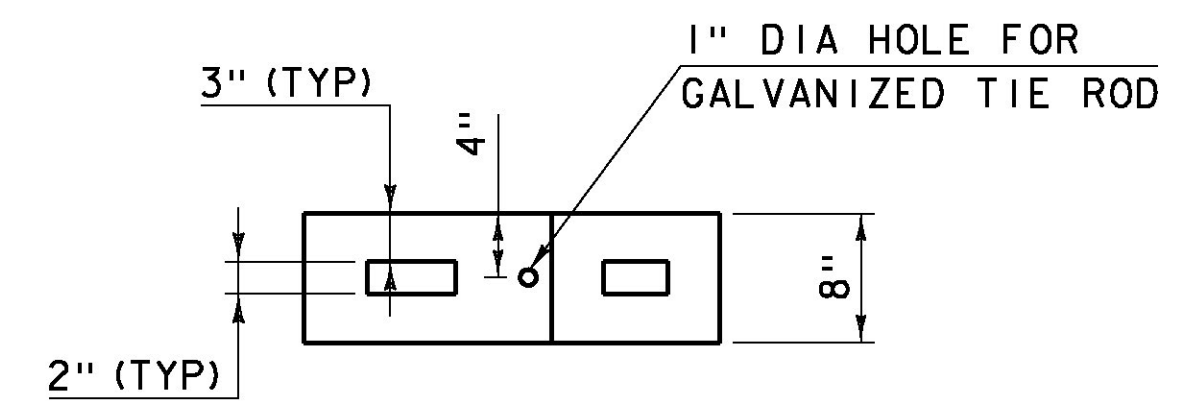
DECK PLANK OVER FLOOR BEAM OR STRINGER  
**DECK SPIKE DETAILS**  
NOT TO SCALE



DECK PLANK BUTT JOINT OVER FLOOR BEAM OR STRINGER

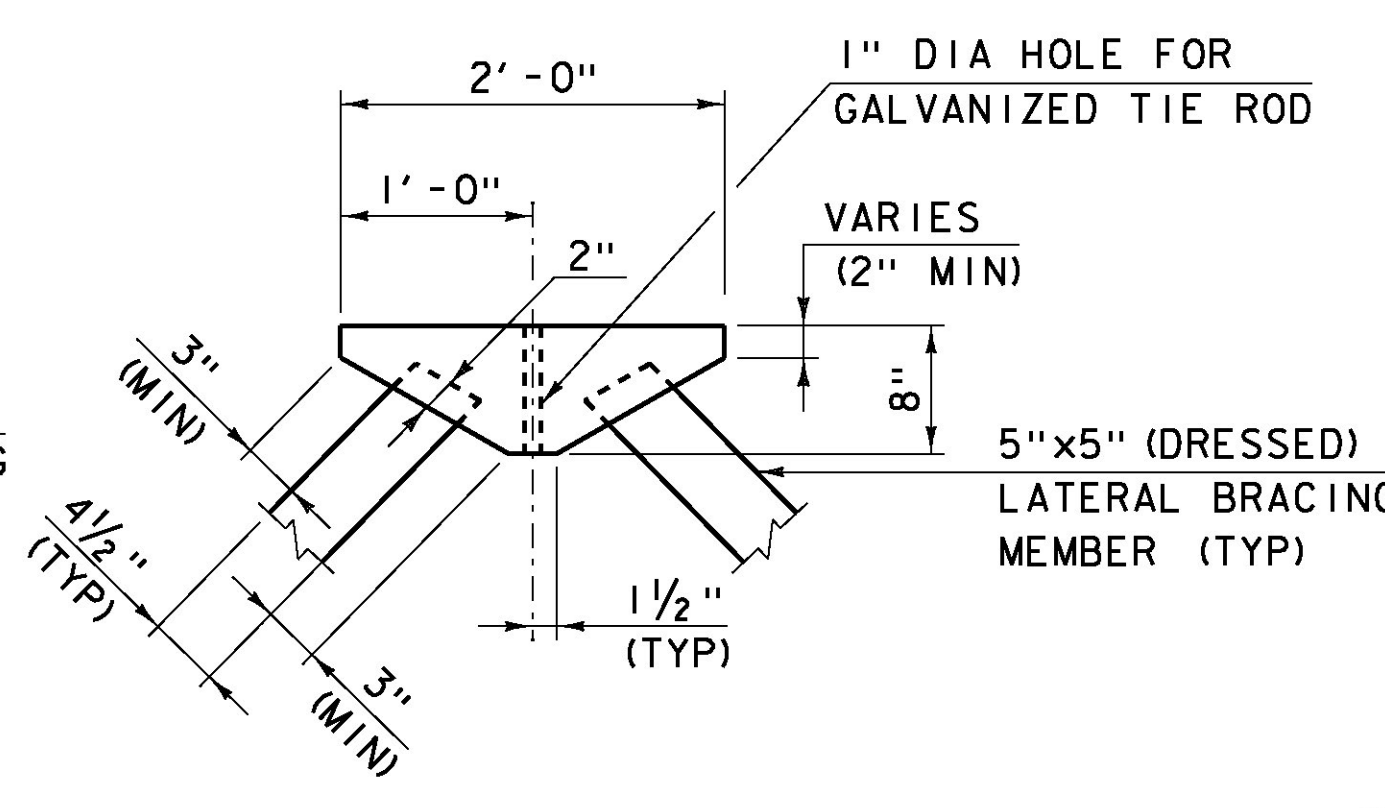


PLAN

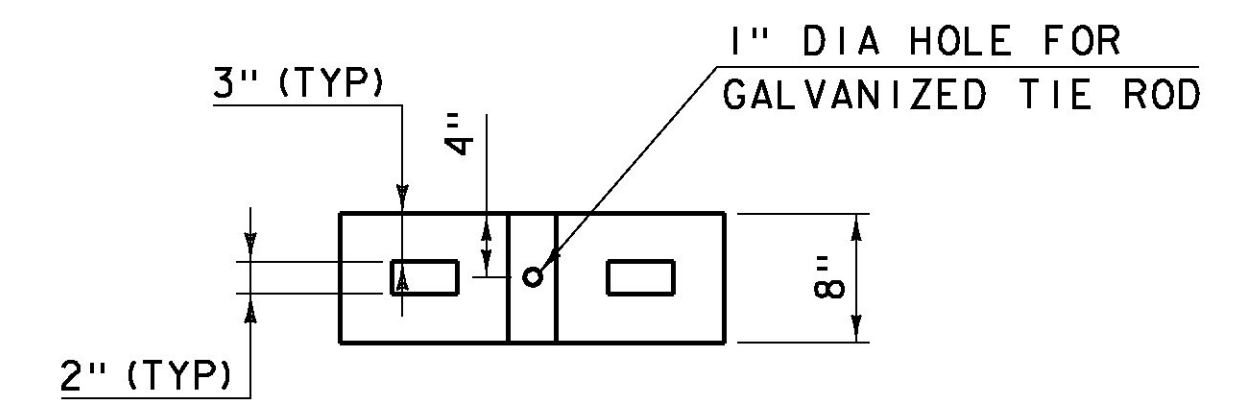


ELEVATION

BEARING BLOCK TYPE "A"



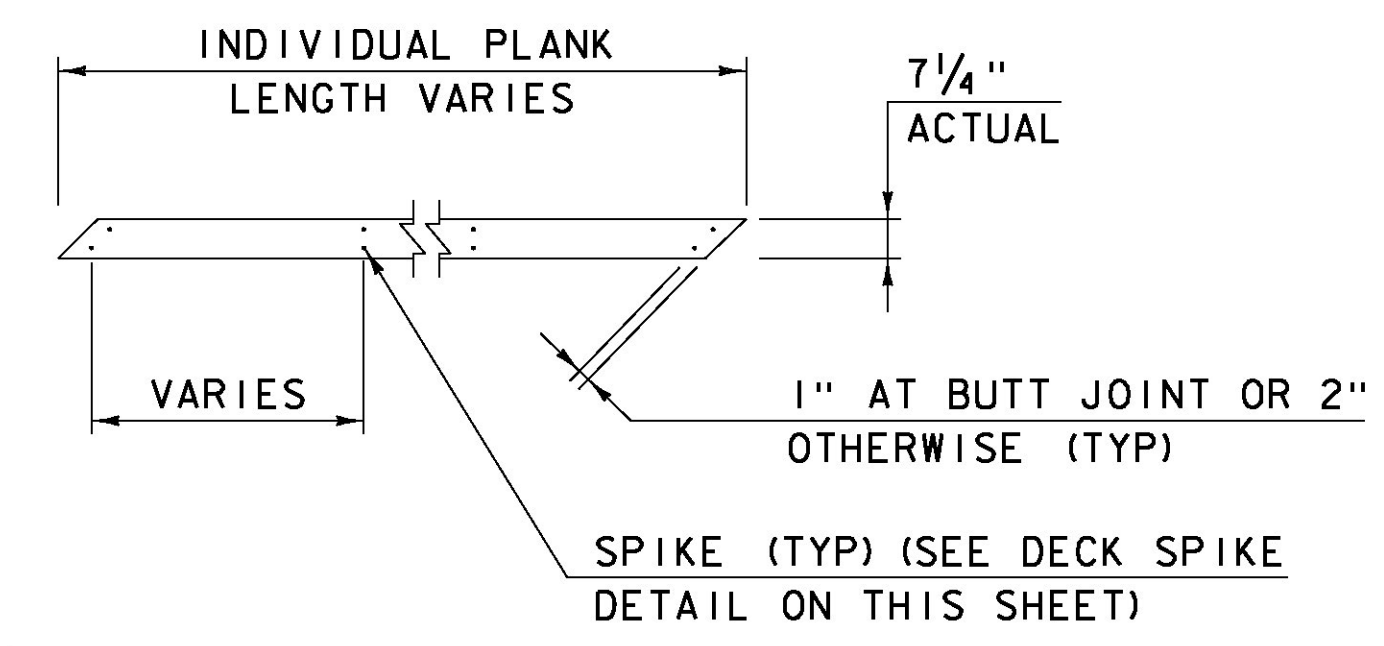
PLAN



ELEVATION

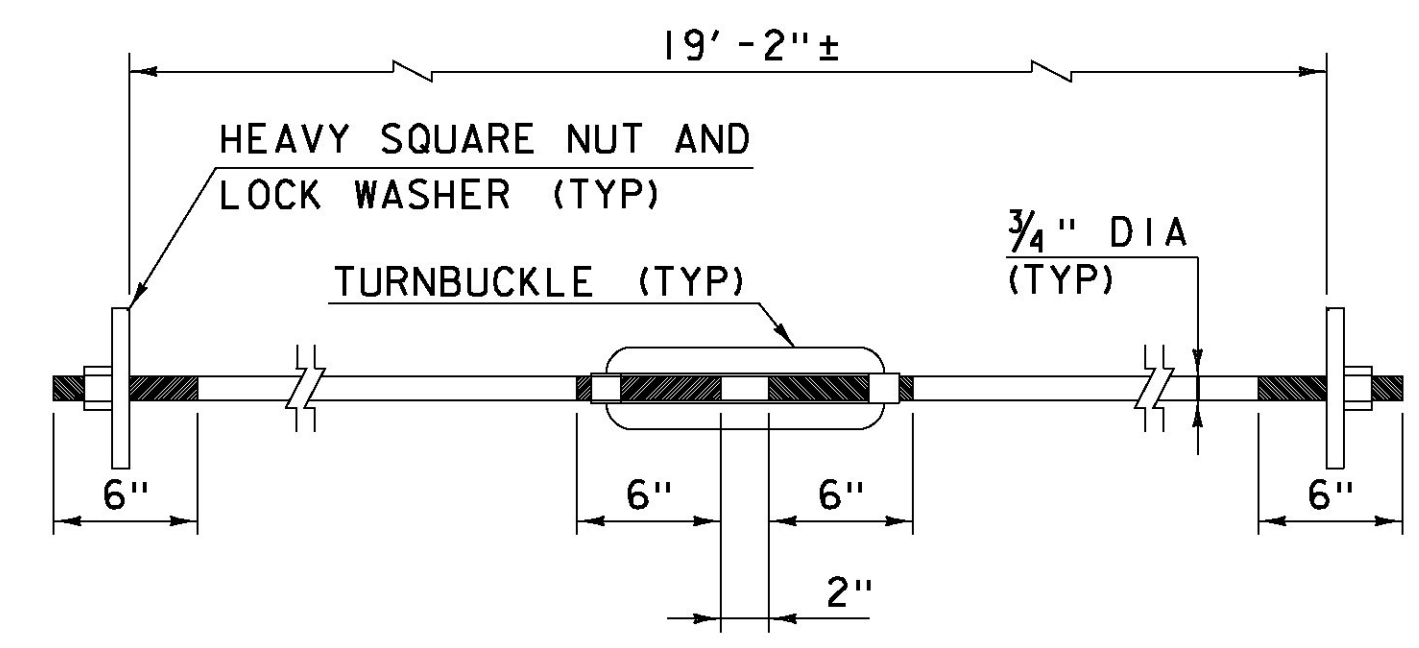
BEARING BLOCK TYPE "B"

**BEARING BLOCK DETAILS**  
SCALE: 1" = 1'-0"



**DECK PLANK ATTACHMENT**

NOTE  
STAGGER JOINTS ALONG FLOORBEAMS OR STRINGERS BY A MINIMUM OF ONE DECK PLANK MEASURED TRANSVERSELY OR 10' MINIMUM LONGITUDINALLY AS MEASURED ALONG THE DECK PLANK.



NOTE  
TIGHTEN NUTS AND TURNBUCKLES SNUG BUT NOT SO TIGHT AS TO CAUSE CRUSHING OF WOOD BEHIND THE STEEL PLATES.

**GALVANIZED TIE ROD ASSEMBLY**  
(11 REQUIRED)  
SCALE: 1/2" = 1'-0"

NOTE  
1. SEE SHEET 41 FOR NOTES THAT APPLY TO THIS SHEET.

**Hoyle, Tanner & Associates, Inc.**

HTA PROJECT	MODEL
904225	904225Detail4

PROJECT NAME: TOWNSHEND	PLOT DATE: 8/13/2015
PROJECT NUMBER: STP SCTT(1)	DRAWN BY: T.A.GELINAS
FILE NAME: 904225Detail4.dgn	DESIGNED BY: J.C.RIPLEY
PROJECT LEADER: M.D.SARGENT	CHECKED BY: S.T.JAMES
<b>STRUCTURAL DETAILS (4 OF 5)</b>	SHEET 44 OF 60

8/13/2015 1:59:42 PM C:\Users\hoyle\OneDrive\904225\Detail4.dgn