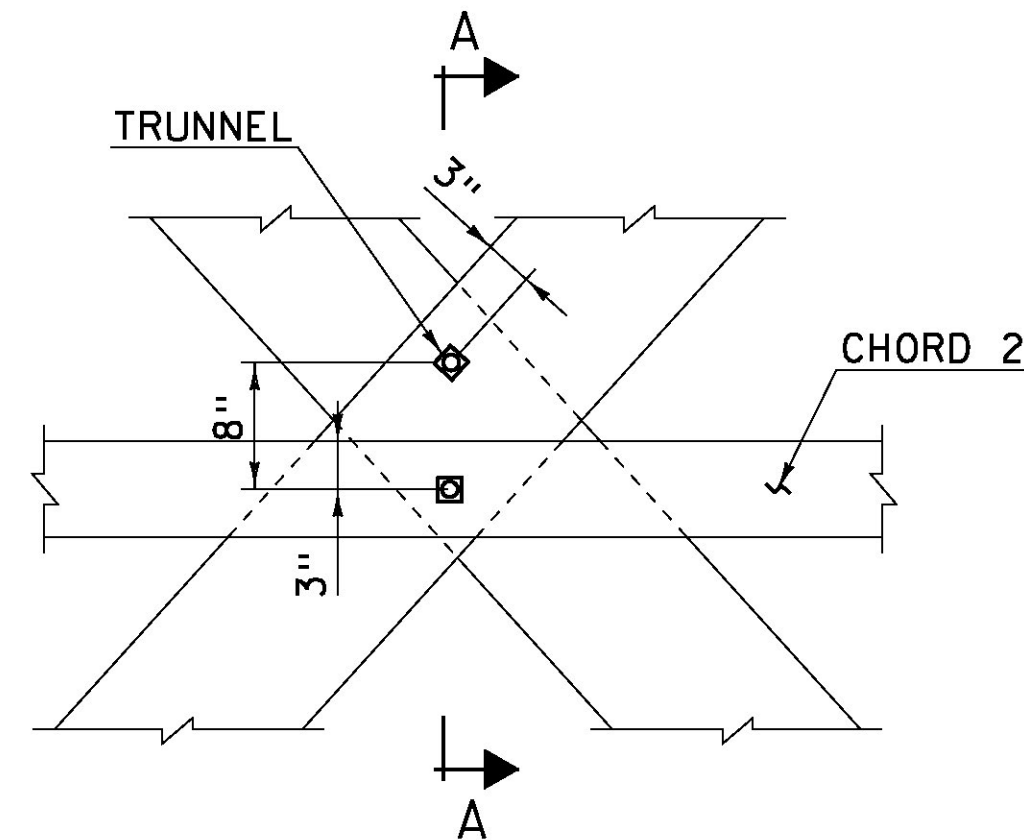


**NOTE**  
THROUGH BOLTS REQUIRED WHERE SPECIFIED AND AT ALL LOCATIONS OF MEMBER REPLACEMENT AS IDENTIFIED ON SHEETS 23-26. NEW THROUGH BOLTS AND CORRESPONDING HARDWARE ARE TO BE GALVANIZED AND PAINTED WITH COAL TAR.

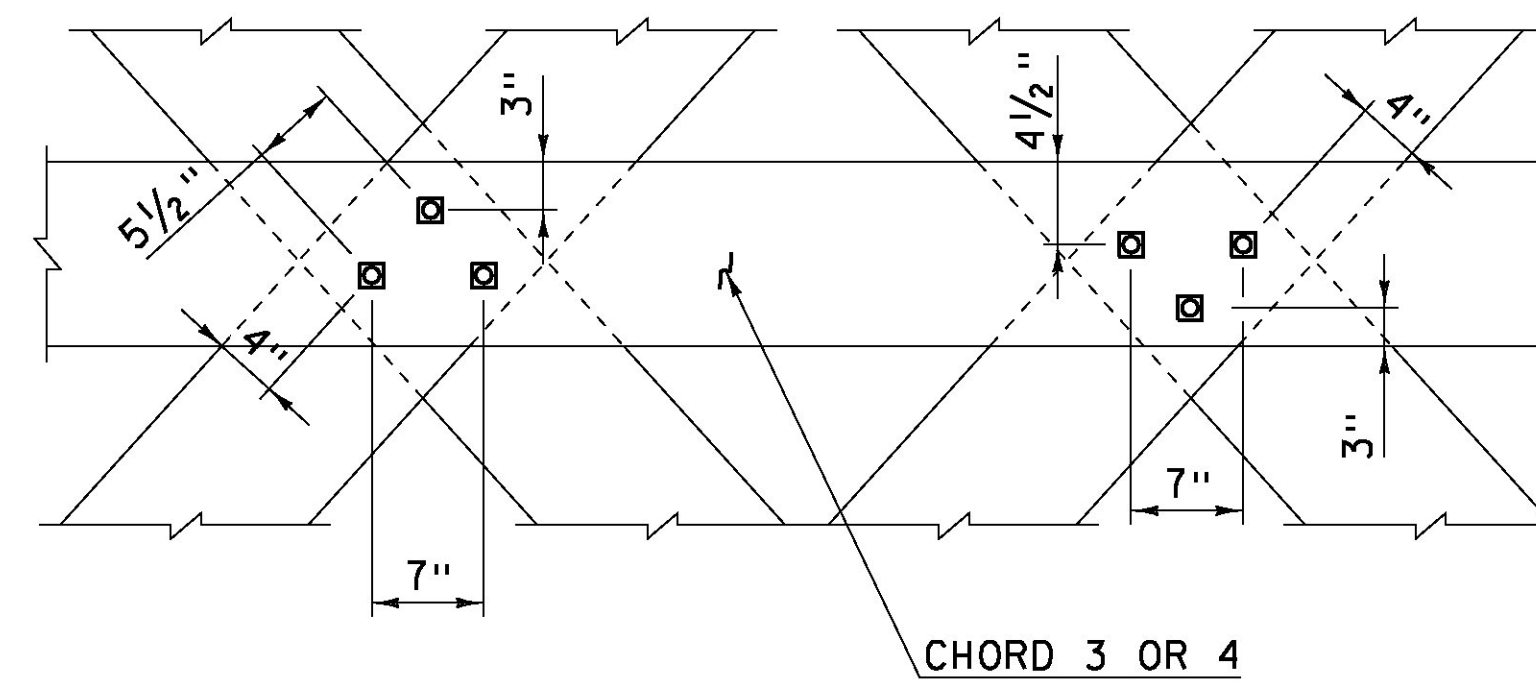
**LATTICE TO CHORD 1 CONNECTION DETAIL**

SCALE: 1/2" = 1'-0"



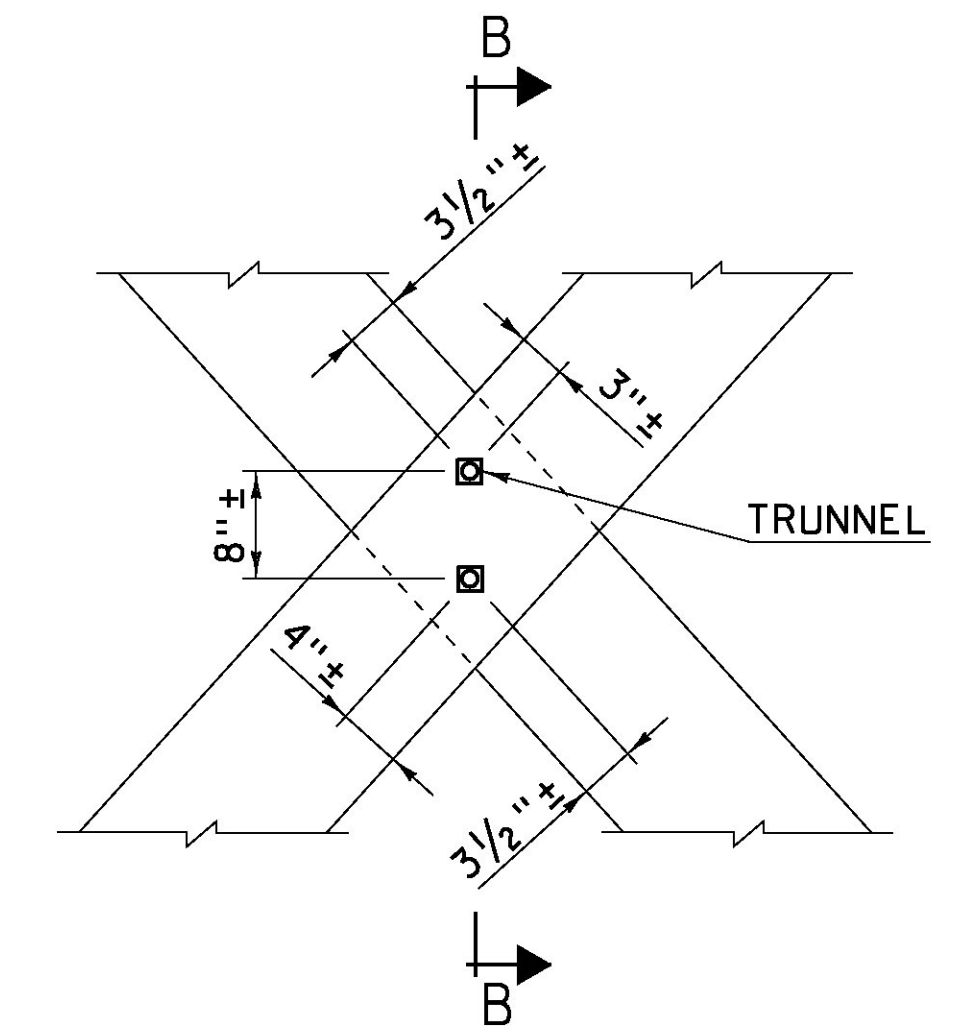
**LATTICE TO CHORD 2 CONNECTION DETAIL**

SCALE: 1" = 1'-0"



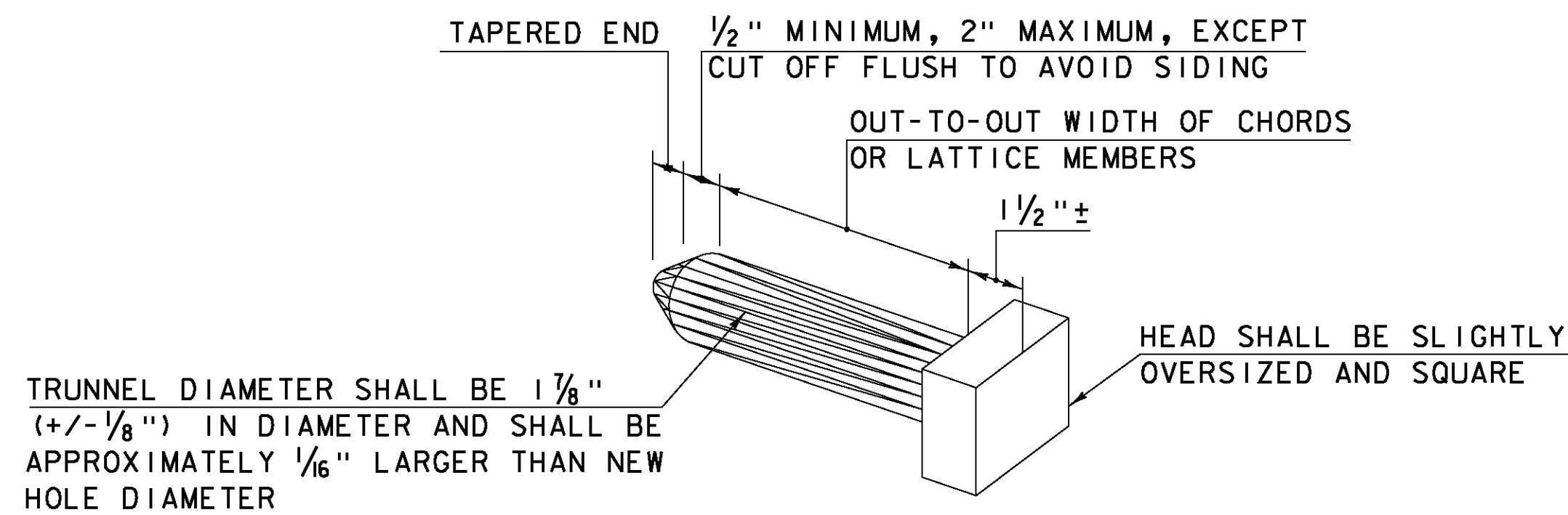
**LATTICE TO CHORD 3 AND 4 CONNECTION DETAIL**

SCALE: 1" = 1'-0"

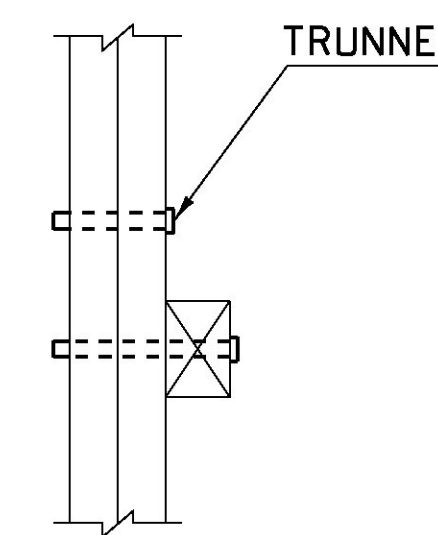


**TYPICAL LATTICE TO LATTICE CONNECTION DETAIL**

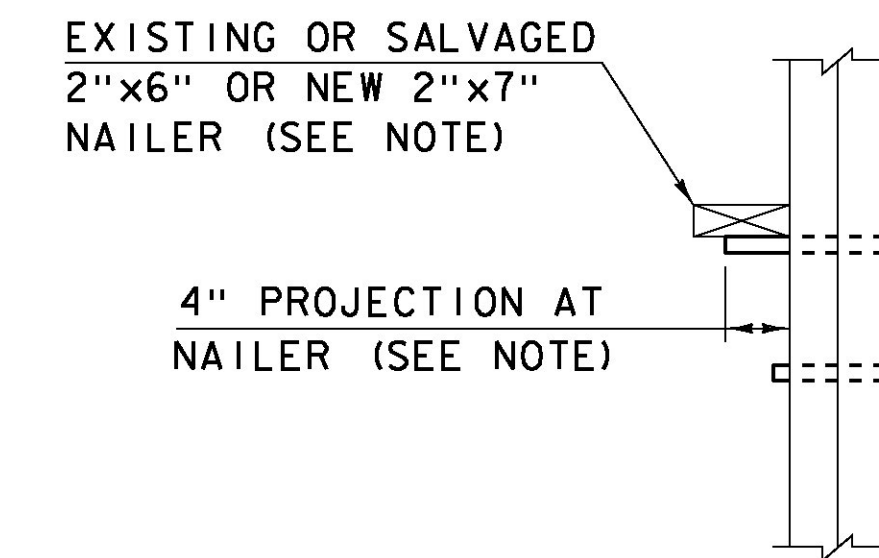
SCALE: 1" = 1'-0"



**NEW TRUNNEL DETAIL**  
NOT TO SCALE

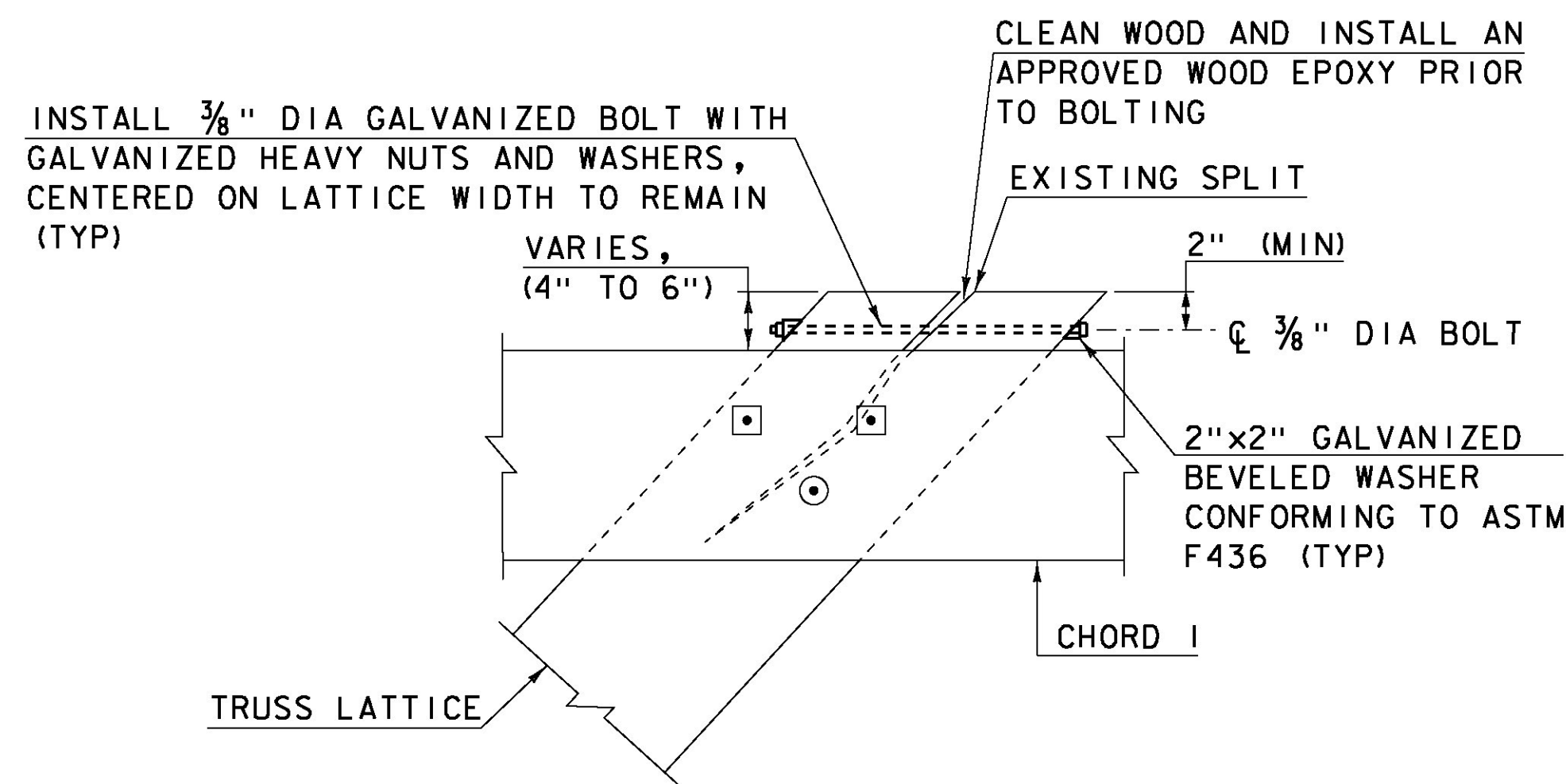


**SECTION A-A**  
SCALE: 1" = 1'-0"

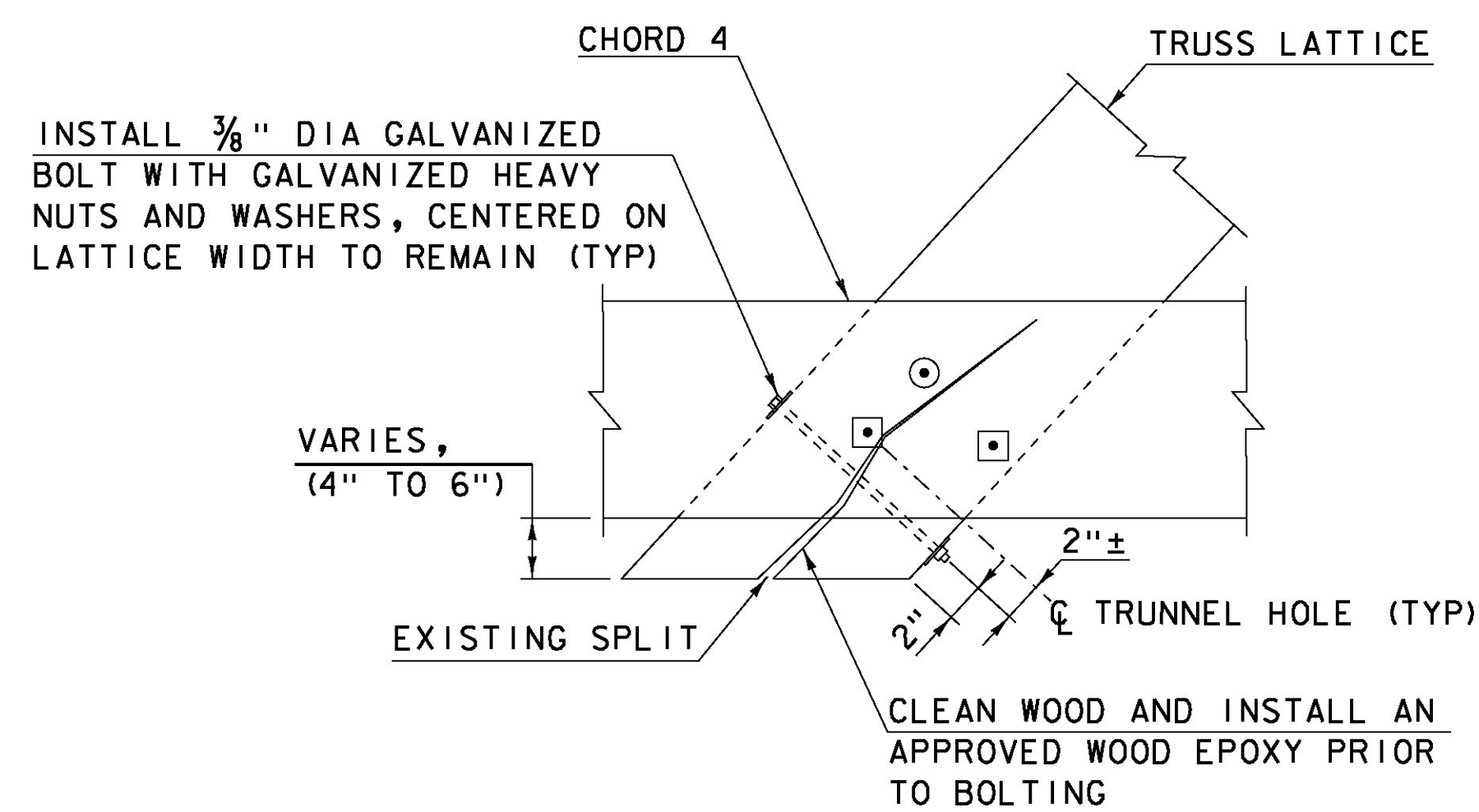


**SECTION B-B**  
SCALE: 1" = 1'-0"

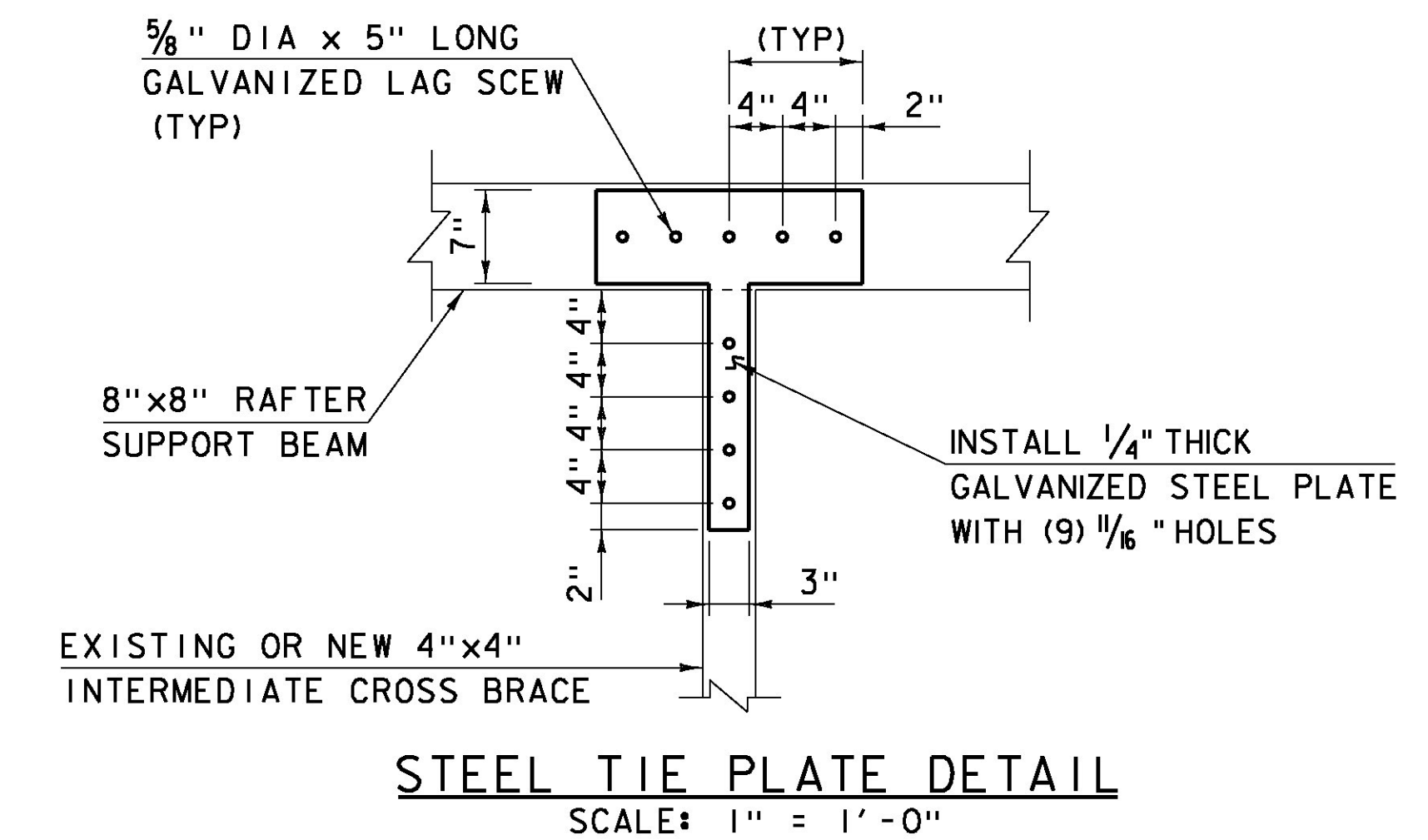
**NOTE**  
AT CONNECTION WITHOUT NAILER PROJECTION SHOULD BE 1/2" MINIMUM TO 2" MAXIMUM.



**TOP END SPLIT LATTICE REPAIR DETAIL**  
SCALE: 1/2" = 1'-0"



**BOTTOM END SPLIT LATTICE REPAIR DETAIL**  
SCALE: 1/2" = 1'-0"



**STEEL TIE PLATE DETAIL**  
SCALE: 1" = 1'-0"

**NOTES**

- SEE SHEET 41 FOR NOTES THAT APPLY TO THIS SHEET.
- COSTS FOR TOP END AND BOTTOM END SPLIT LATTICE REPAIRS ARE INCLUDED IN ITEM 900.620, SPECIAL PROVISION (WOOD EPOXY REPAIRS) (SEE NOTE W-4 ON SHEET 7).

**Hoyle, Tanner & Associates, Inc.**

HTA PROJECT	MODEL
904225	904225Detail2

PROJECT NAME:	TOWNSHEND	FILE NAME:	904225Detail2.dgn	PLOT DATE:	8/13/2015
PROJECT NUMBER:	STP SCTT(1)	PROJECT LEADER:	M.D.SARGENT	DRAWN BY:	T.A.GELINAS
		DESIGNED BY:	J.C.RIPLEY	CHECKED BY:	S.T.JAMES
		<b>STRUCTURAL DETAILS (2 OF 5)</b>			SHEET 42 OF 60