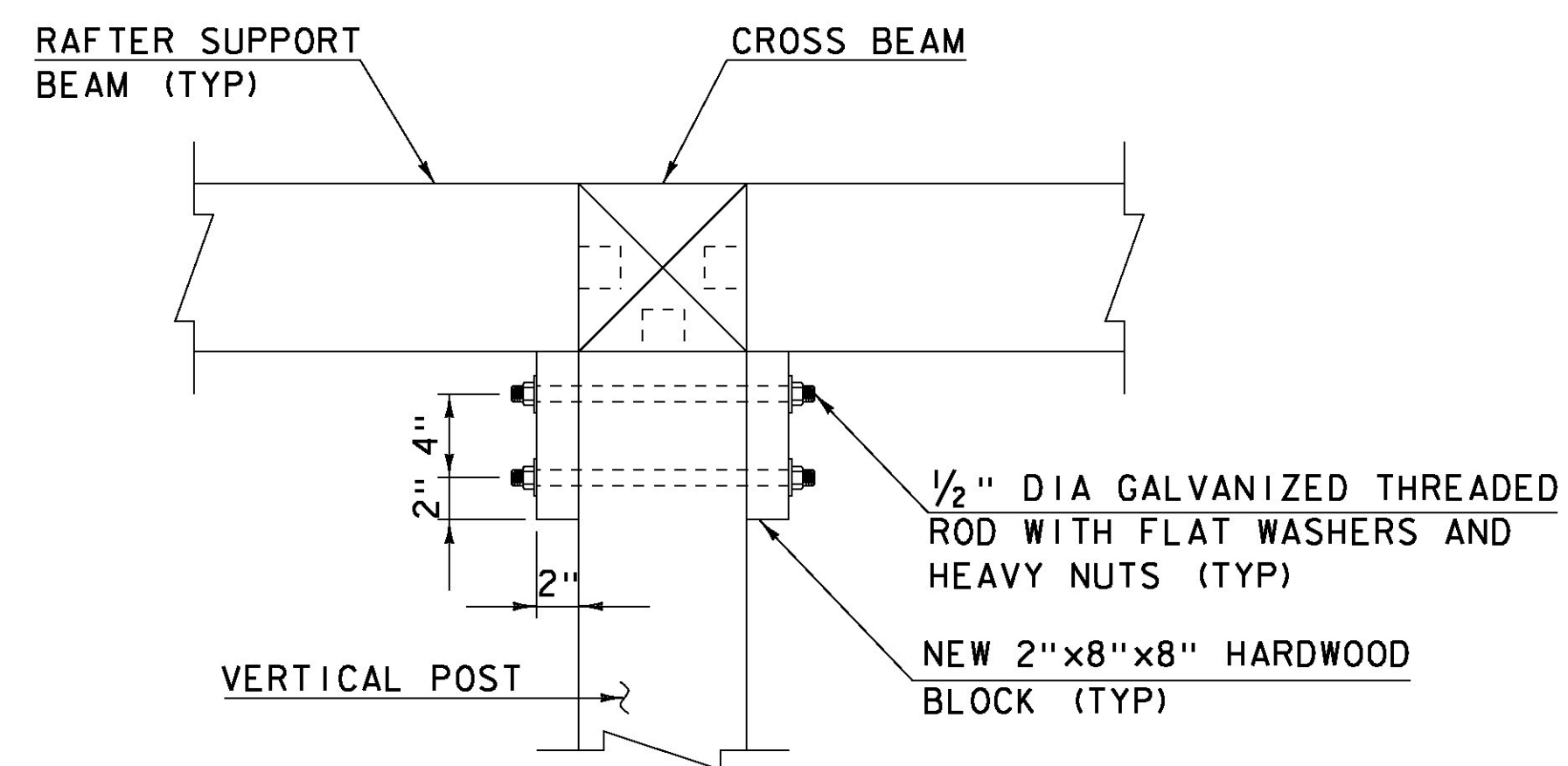
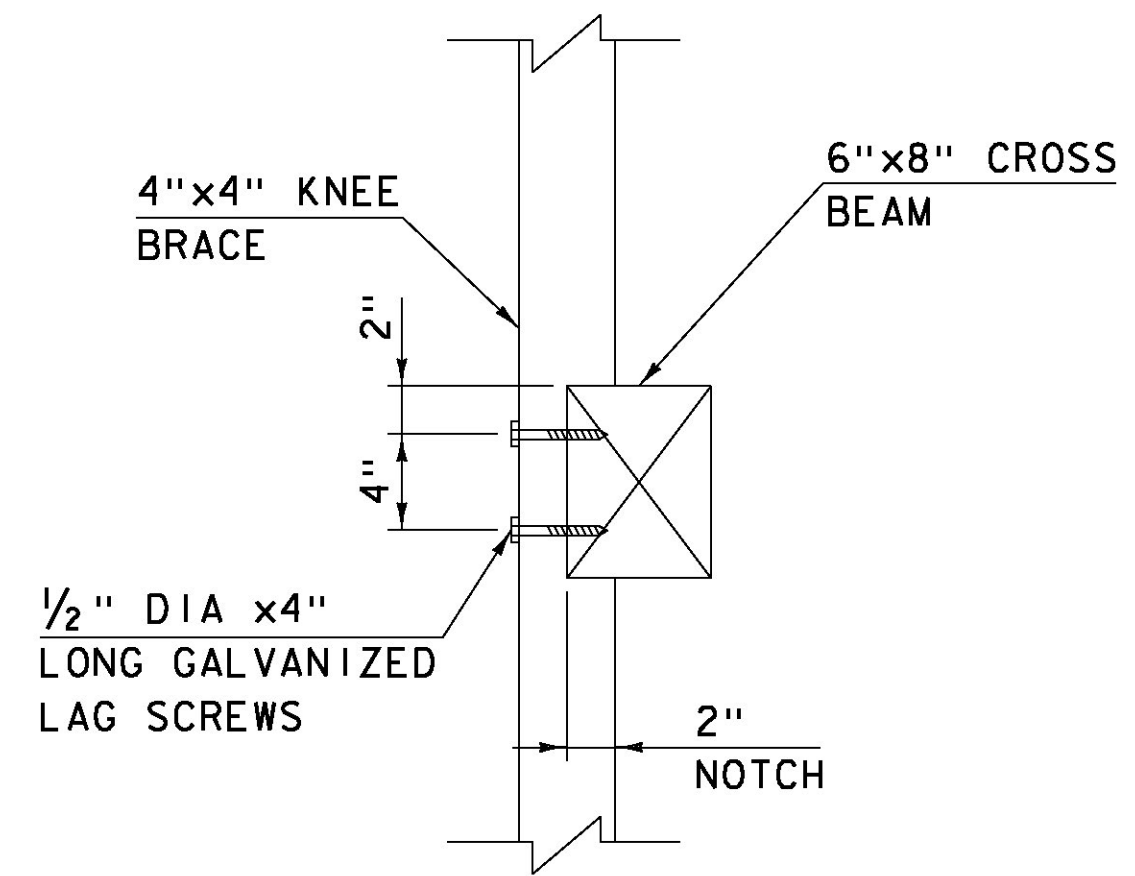


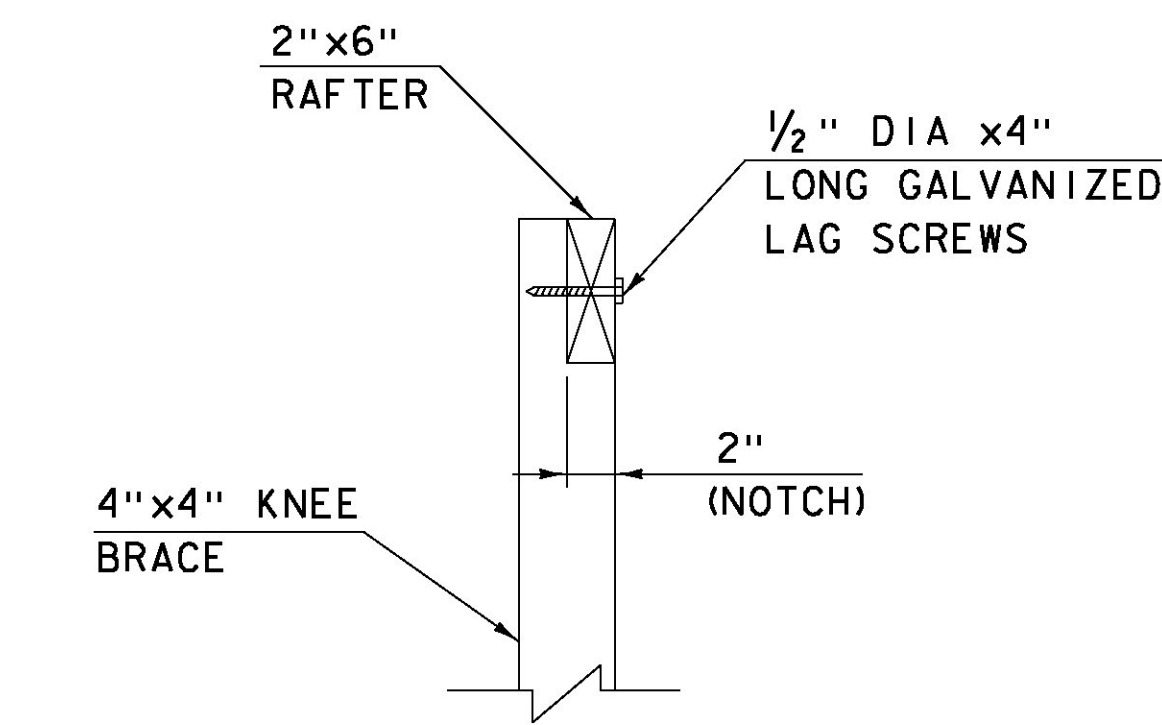
**TYPICAL TOWN LATTICE
KNEE BRACE DETAIL**
SCALE: 3/4" = 1'-0"



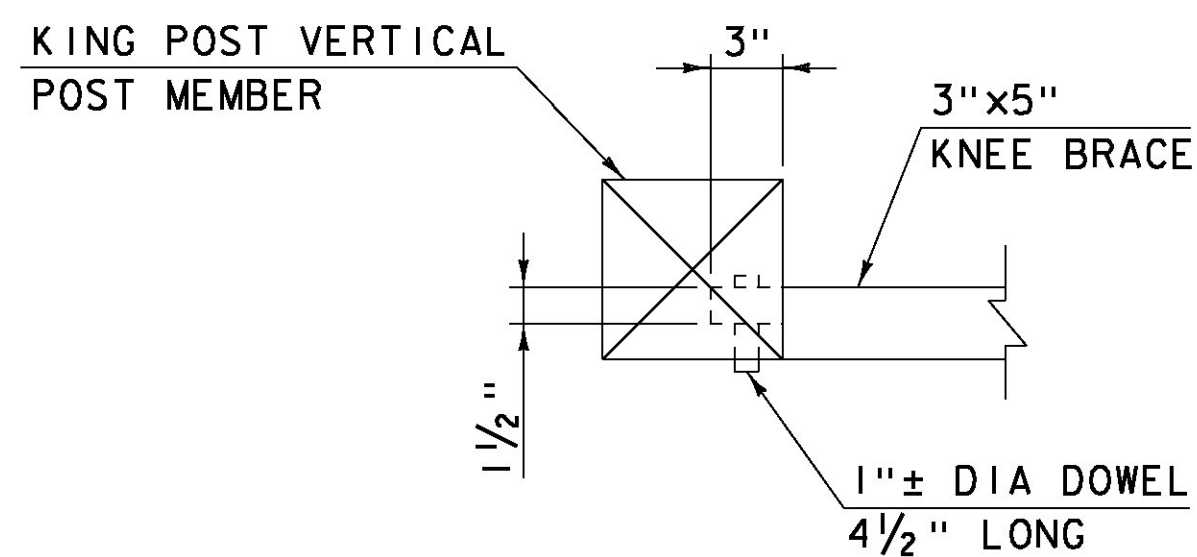
**TYPICAL KING POST RAFTER SUPPORT
BEAM END BEARING DETAIL**
SCALE: 1/2" = 1'-0"



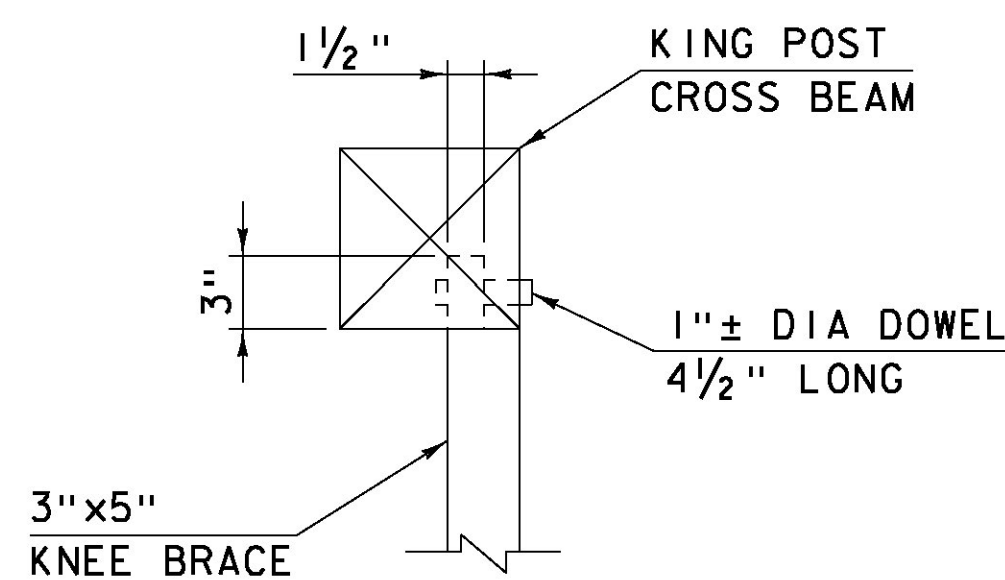
SECTION A-A
SCALE: 1/2" = 1'-0"



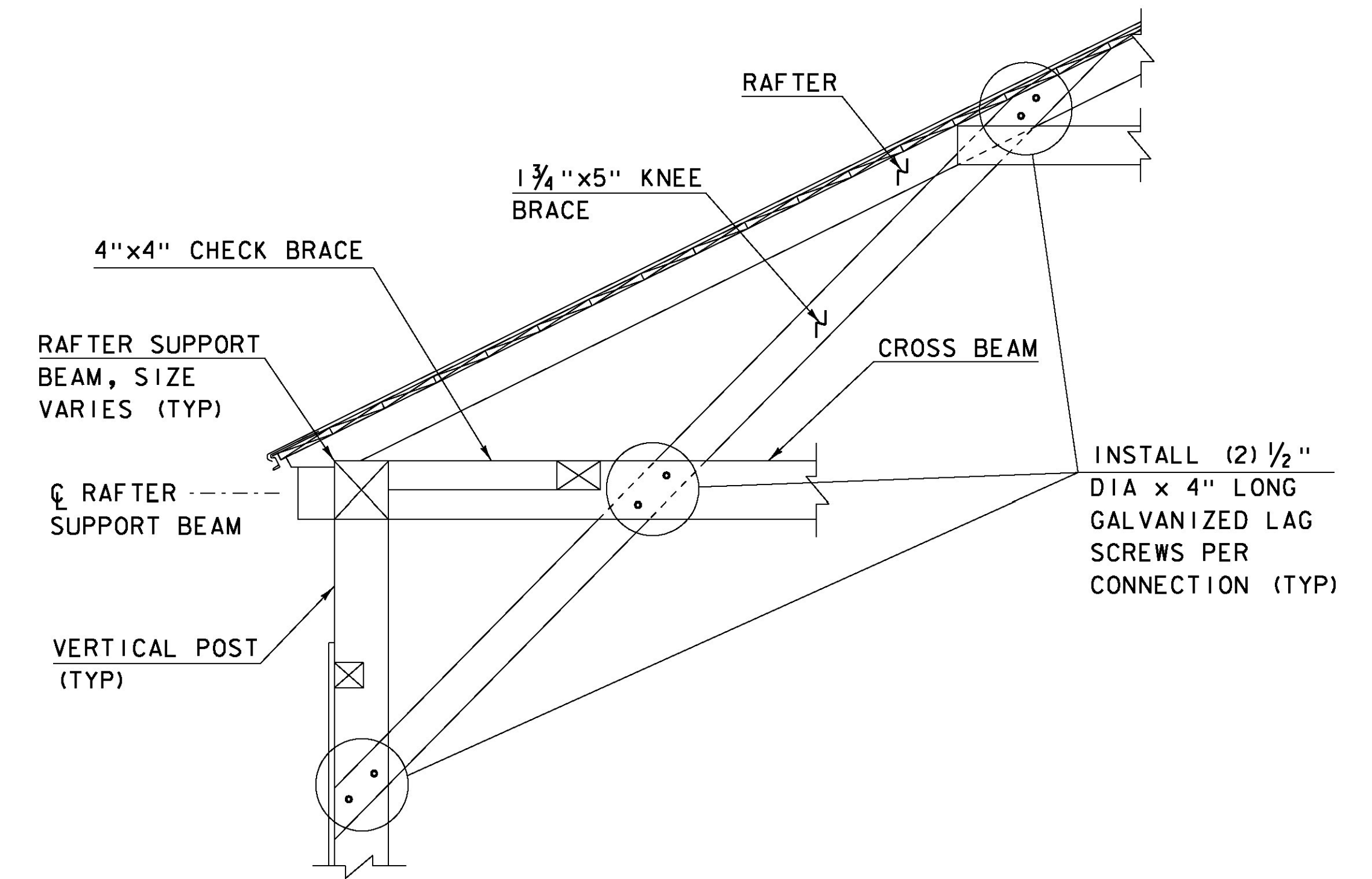
SECTION B-B
SCALE: 1/2" = 1'-0"



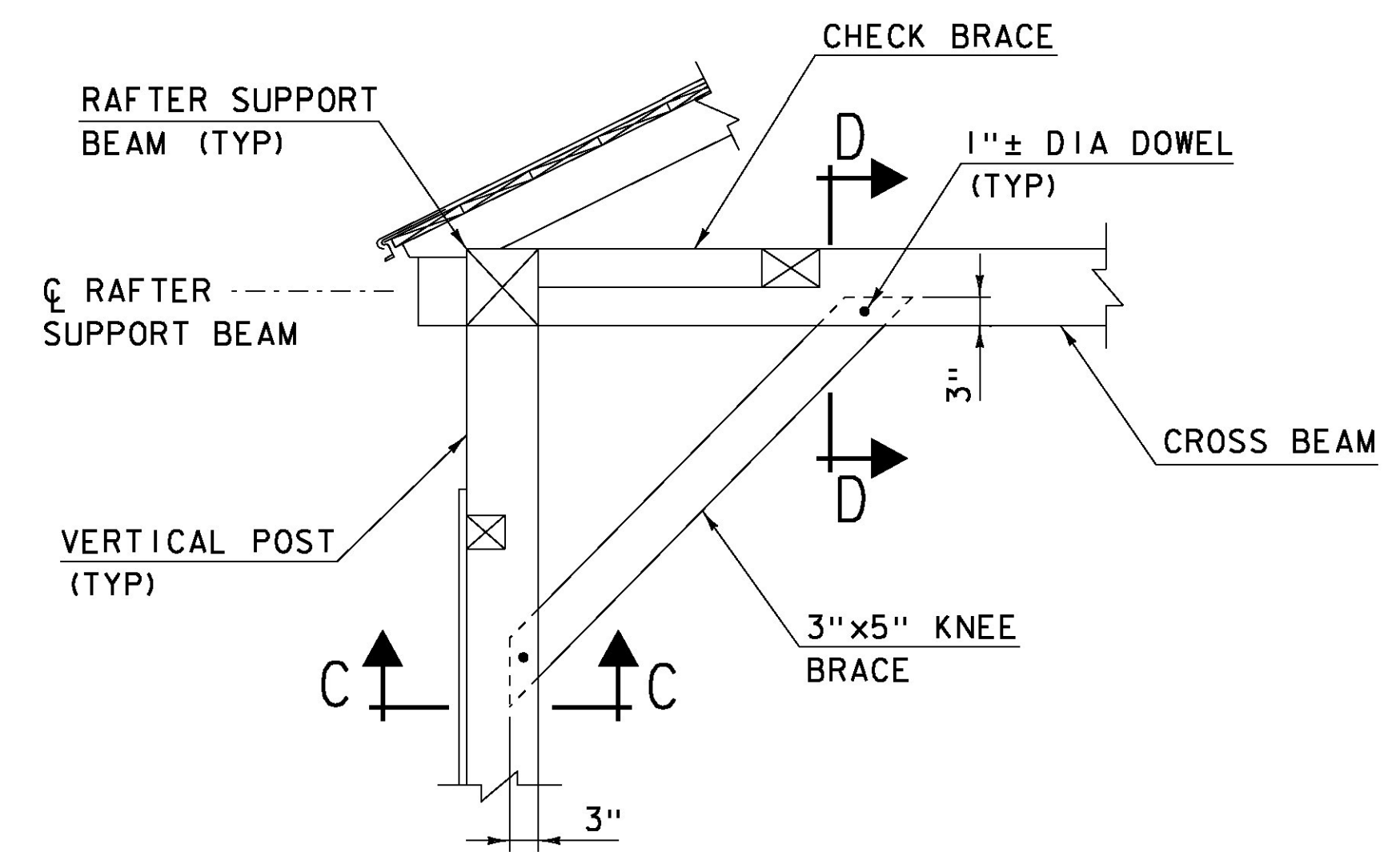
SECTION C-C
SCALE: 1/2" = 1'-0"



SECTION D-D
SCALE: 1/2" = 1'-0"



**TYPICAL KING POST
RAFTER KNEE BRACE DETAIL**
SCALE: 3/4" = 1'-0"



**TYPICAL KING POST
CROSS BEAM KNEE BRACE DETAIL**
SCALE: 3/4" = 1'-0"

NOTES

1. DIMENSIONS SHOWN ARE FOR BIDDING PURPOSES ONLY. ALL DIMENSIONS AND MEMBER SIZES SHOULD BE VERIFIED BY THE CONTRACTOR PRIOR TO ORDERING ALL TIMBER AND LUMBER. SEE NOTE G-4 ON SHEET 7 FOR MORE INFORMATION.
2. NEW DOWEL ORIENTATION TO MATCH EXISTING.

**Hoyle, Tanner
& Associates, Inc.**

HTA PROJECT MODEL
904225 904225Detail

PROJECT NAME: TOWNSHEND
PROJECT NUMBER: STP SCTT(I)

FILE NAME: 904225Detail.dgn
PROJECT LEADER: M.D.SARGENT
DESIGNED BY: J.C.RIPLEY
STRUCTURAL DETAILS (1 OF 5)

PLOT DATE: 8/13/2015
DRAWN BY: T.A.GELINAS
CHECKED BY: S.T.JAMES
SHEET 41 OF 60