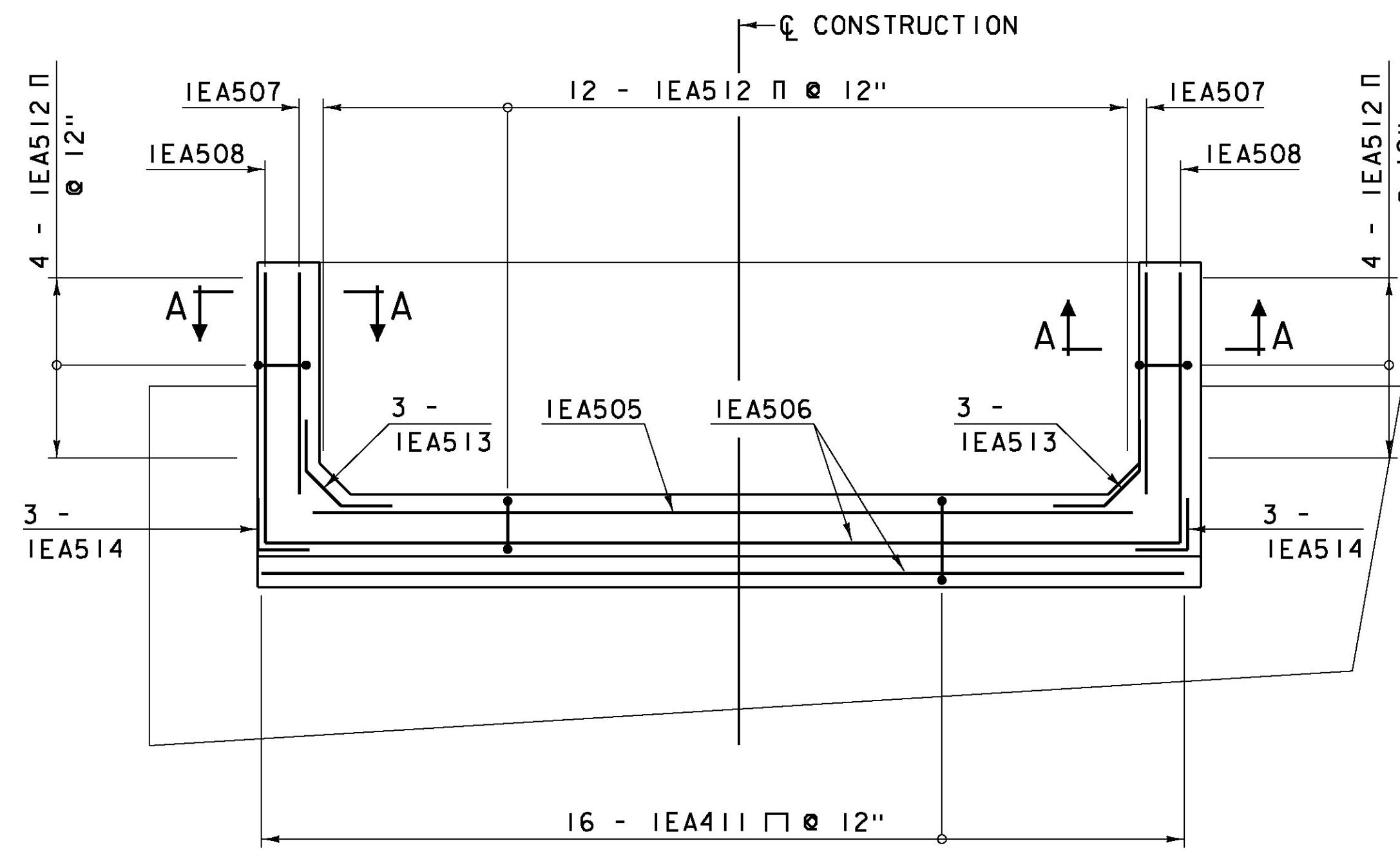
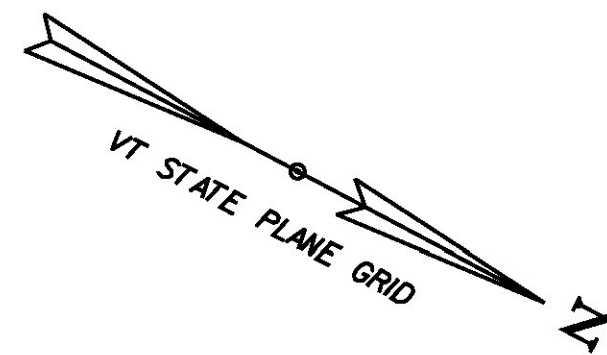
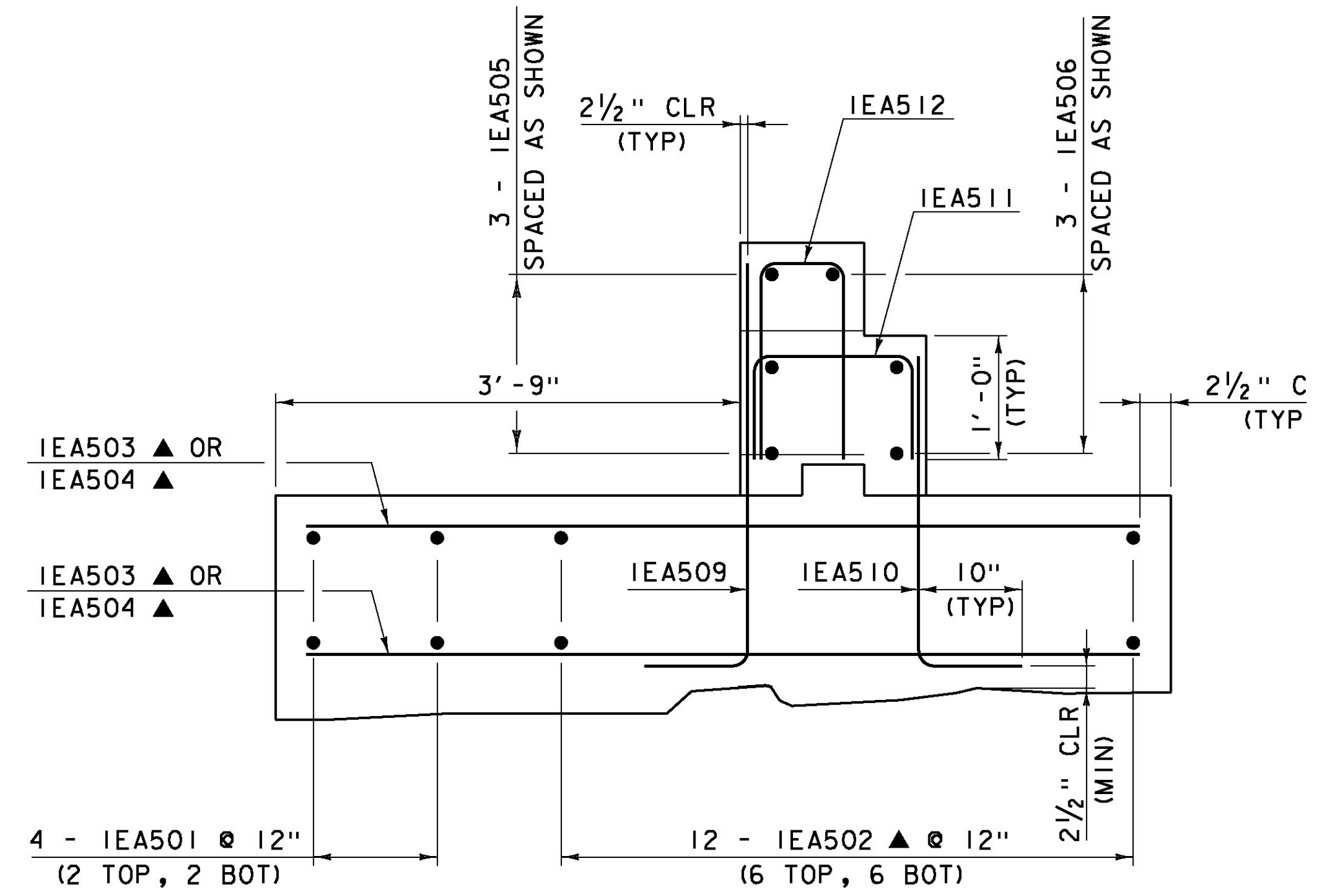


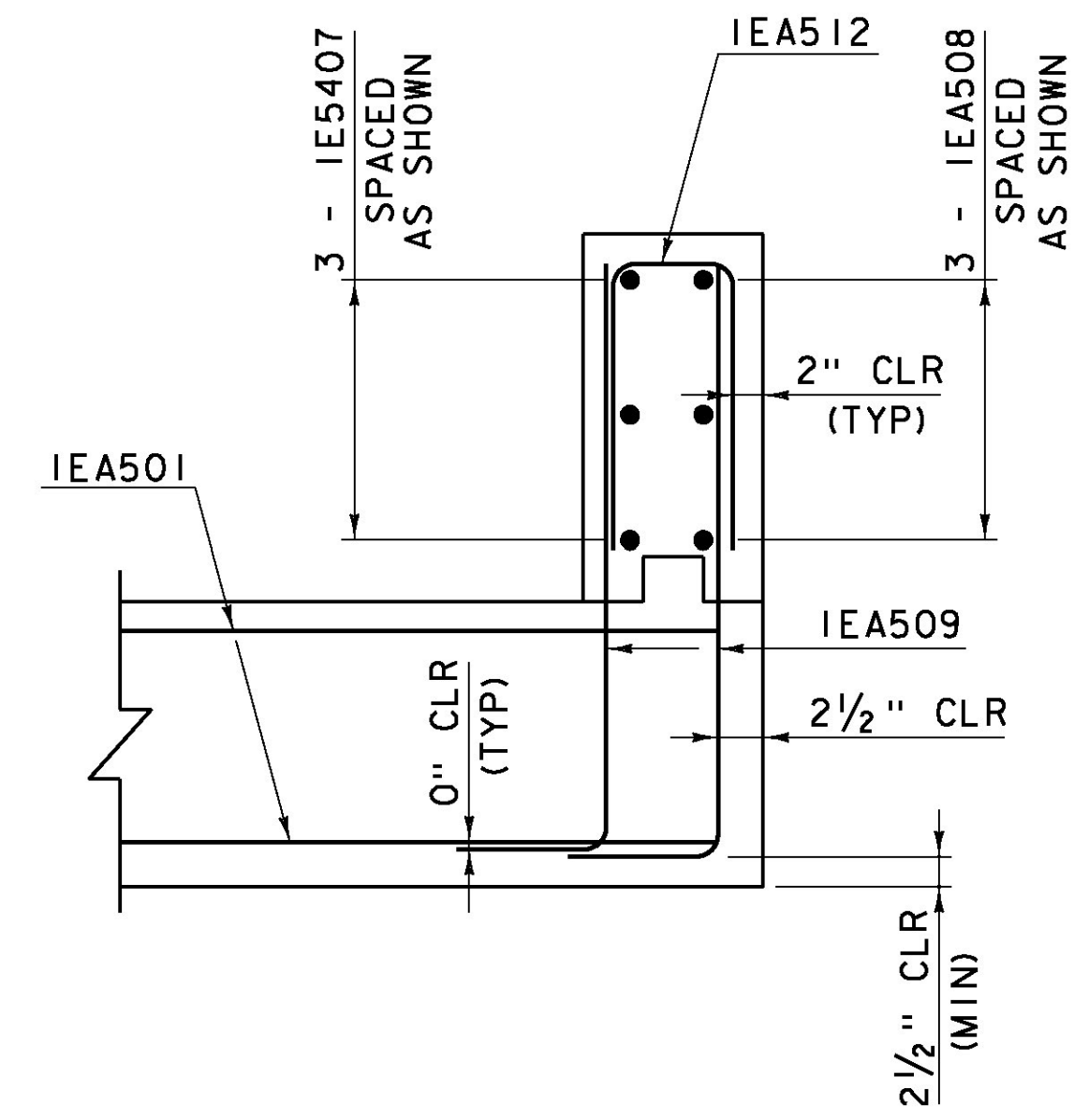
FOOTING REINFORCING PLAN
SCALE: 1/2" = 1'-0"



STEM REINFORCING PLAN
SCALE: 1/2" = 1'-0"



TYPICAL BACKWALL REINFORCING SECTION
SCALE: 1" = 1'-0"



SECTION A-A
SCALE: 1" = 1'-0"

LEGEND

- NF = NEAR FACE
- FF = FAR FACE
- EF = EACH FACE
- ▲ = CUT TO FIT IN FIELD



HTA PROJECT	MODEL
904225	904225subC

PROJECT NAME:	TOWNSHEND	PLOT DATE:	8/13/2015	
PROJECT NUMBER:	STP SCTT(I)	DRAWN BY:	T.A.GELINAS	
FILE NAME:	904225subC.dgn	DESIGNED BY:	J.C.RIPLEY	
PROJECT LEADER:	M.D.SARGENT	PROF. ABUT NO. 1 REINFORCING	CHECKED BY:	S.T.JAMES
			SHEET	36 OF 60

8/13/2015 10:56:42 AM C:\Users\jcr\OneDrive\Projects\904225subC.dgn