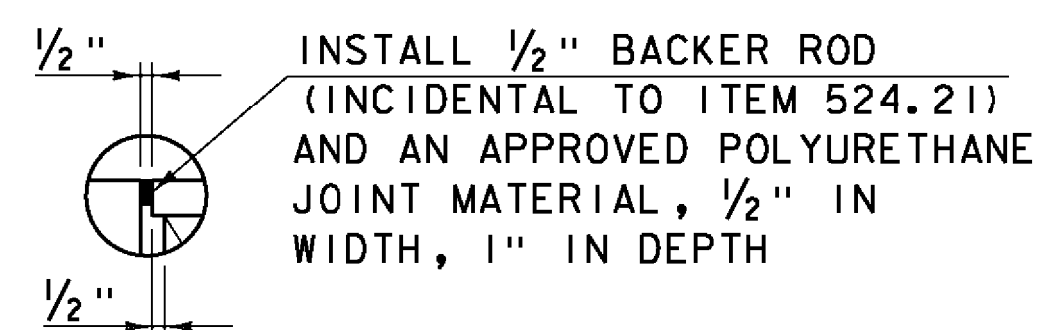
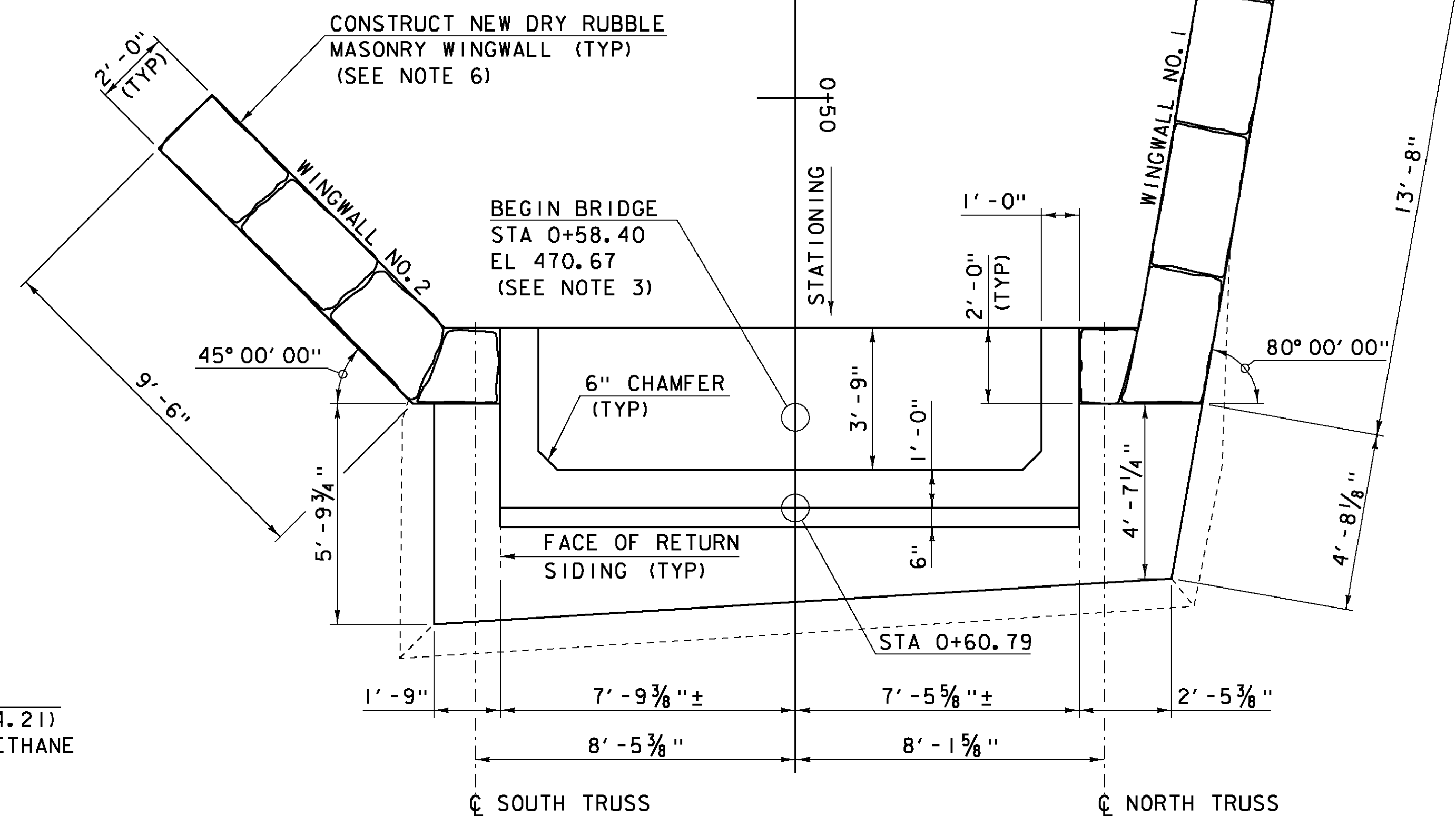


DECK END DETAIL
SCALE: 3/4" = 1'-0"



DETAIL "A"
SCALE: 1 1/2" = 1'-0"



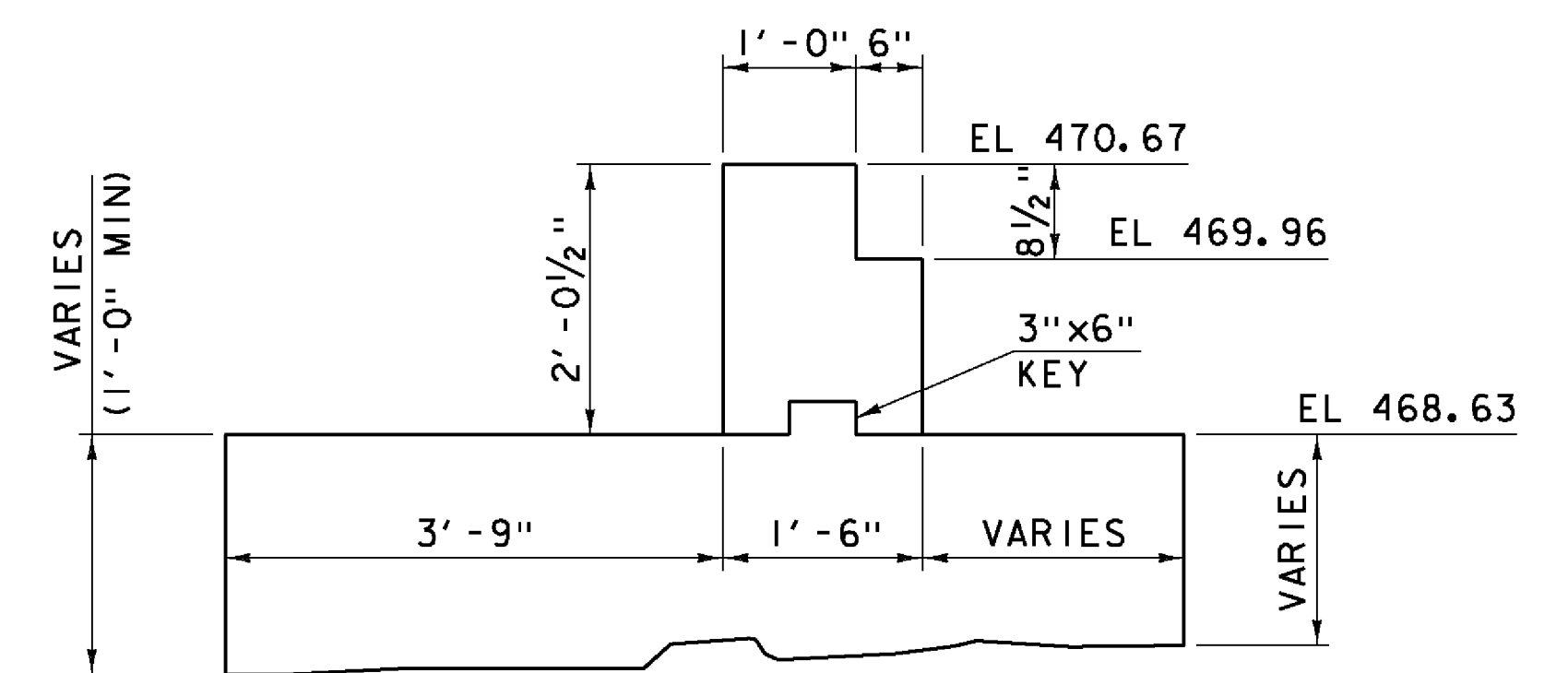
PLAN
SCALE: 3/8" = 1'-0"

NOTES

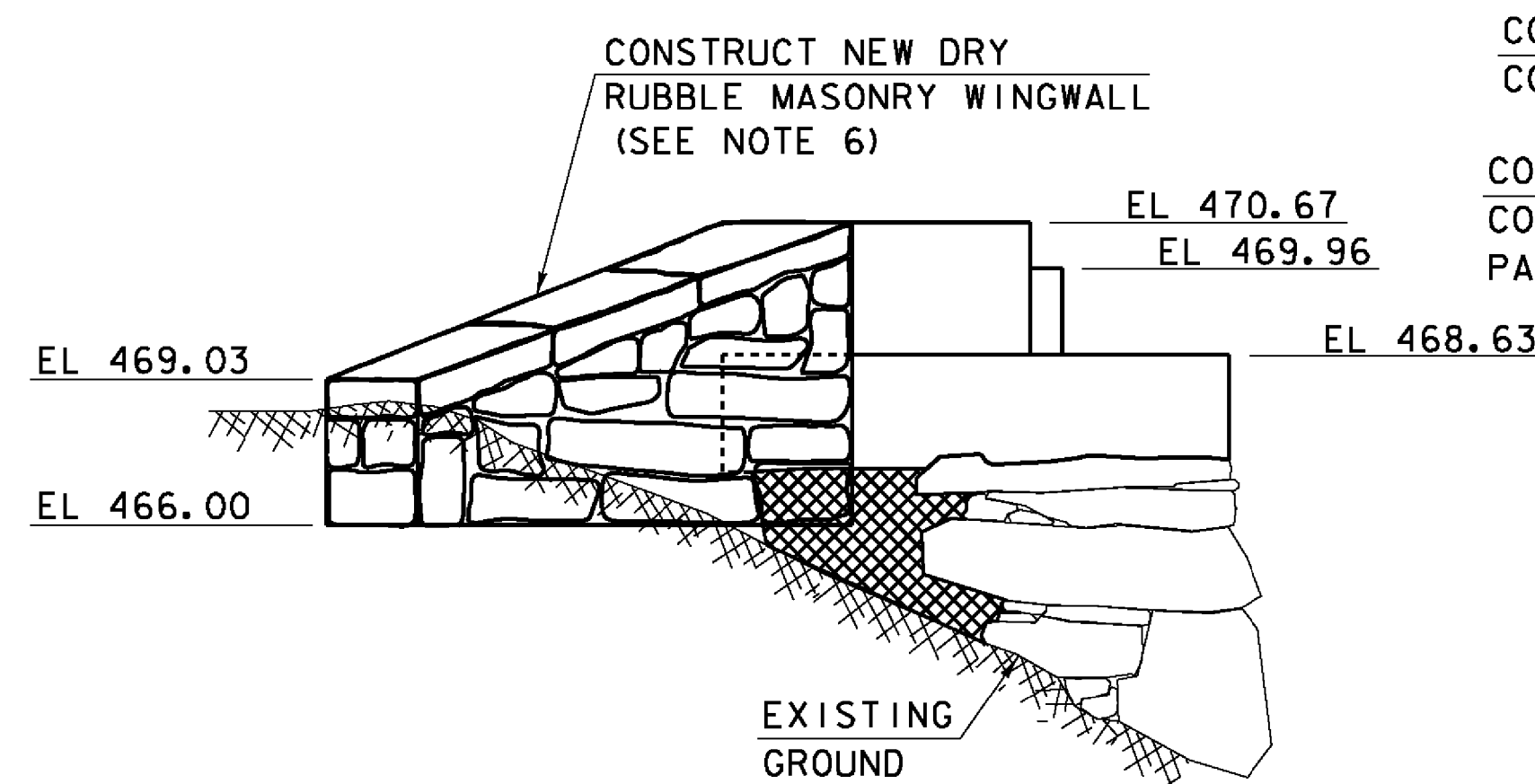
1. REMOVE AND RESET GRANITE AND CONCRETE BARRIER AT WEST END OF THE BRIDGE AS REQUIRED TO COMPLETE THE WORK. ALL COSTS INCLUDED IN ITEM 502.10, SHORING SUPERSTRUCTURE. SEE DETAIL ON SHEET 50.
2. FOR NEW BEDDING TIMBERS, SEE SHEET 47.
3. BEGIN BRIDGE STATION IS SET AT THE FACE OF PORTAL SIDING.
4. SEE SHEET 6 FOR LIMITS OF EXCAVATION AND BACKFILL.
5. STONE FILL TYPE II AND TYPE III NOT SHOWN FOR CLARITY.
6. NEW WINGWALL CONSTRUCTION WILL BE PAID UNDER ITEM 602.20, DRY MASONRY.

LEGEND

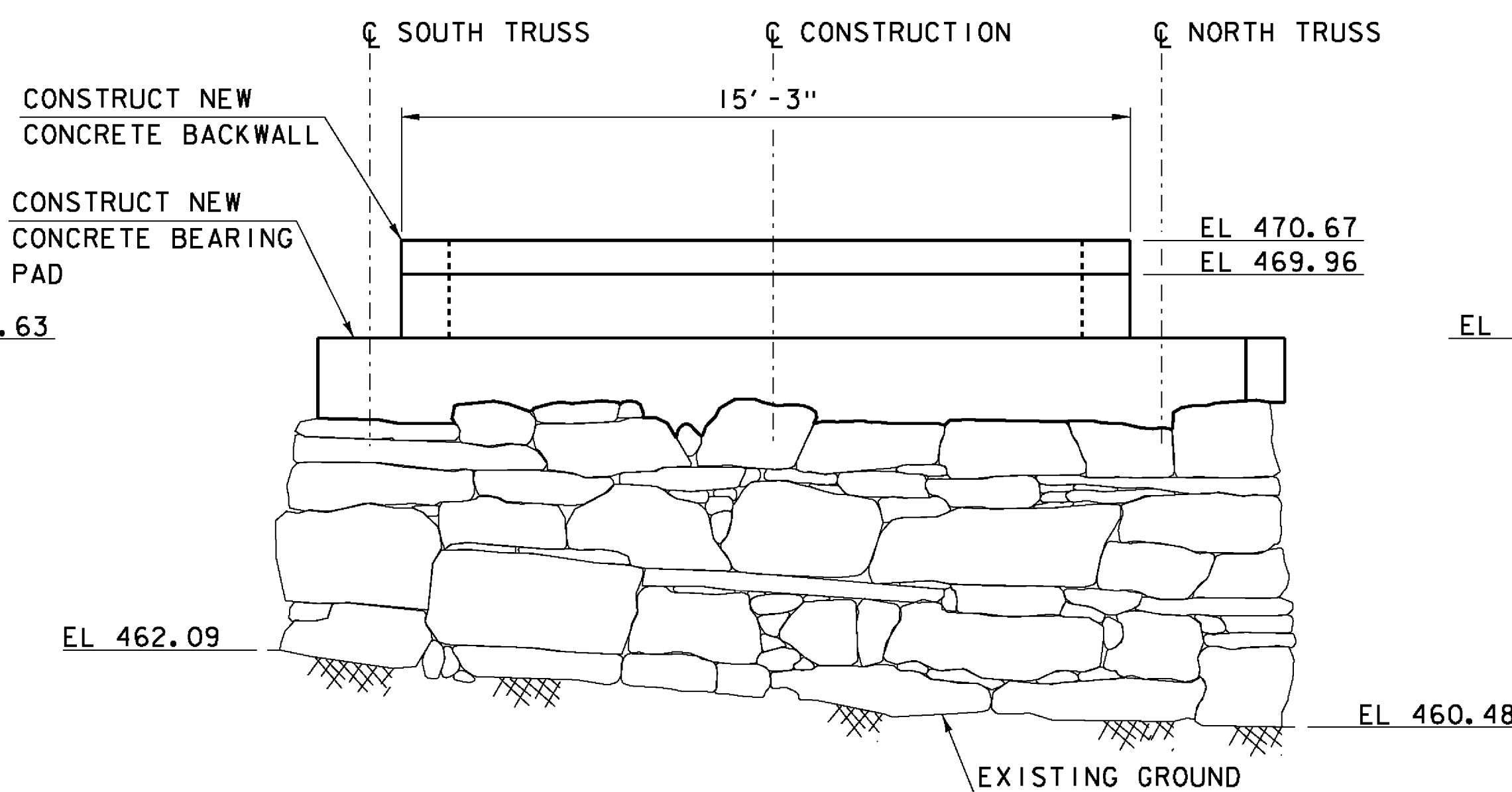
REBUILT STONE MASONRY (ITEM 602.35)



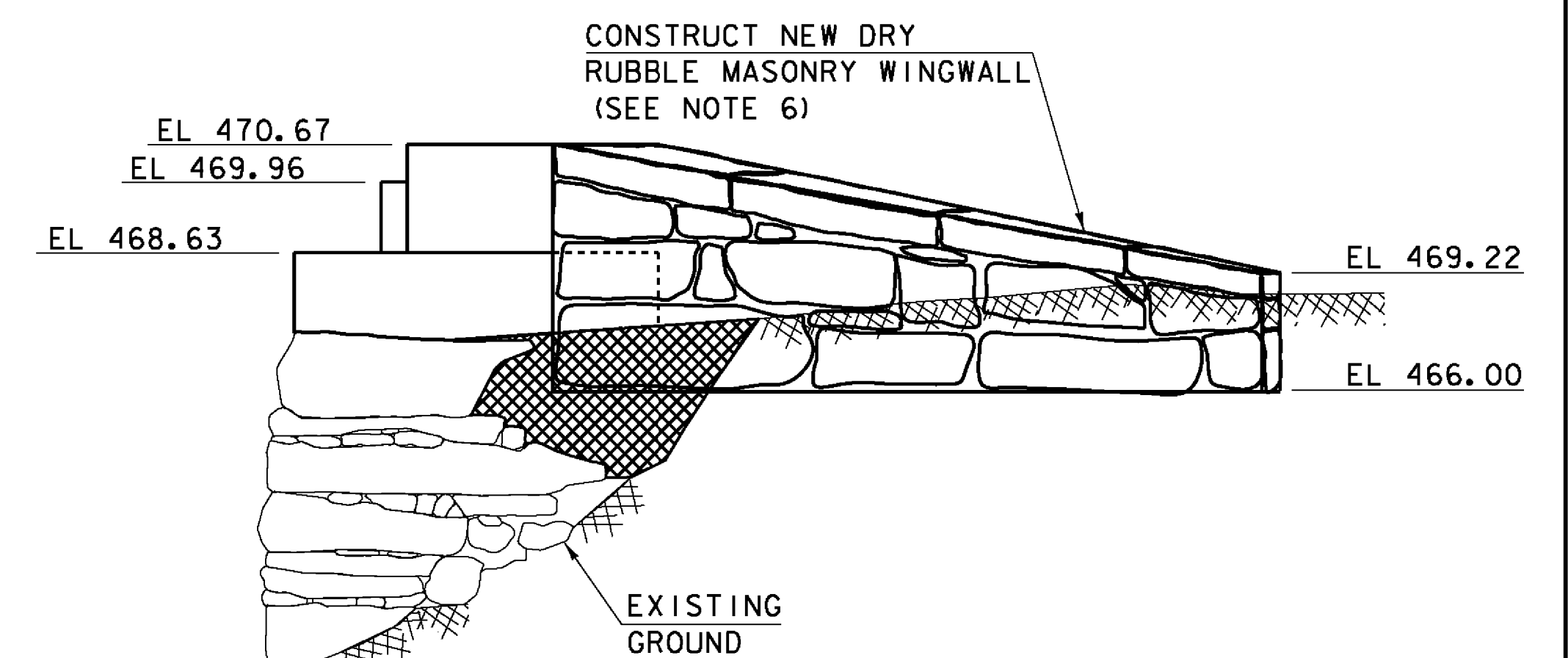
TYPICAL BACKWALL MASONRY SECTION
(THROUGH PEDESTAL)
SCALE: 3/4" = 1'-0"



WINGWALL NO. 2 ELEVATION
SCALE: 3/8" = 1'-0"



ELEVATION
SCALE: 3/8" = 1'-0"



WINGWALL NO. 1 ELEVATION
SCALE: 3/8" = 1'-0"

PROJECT NAME: TOWNSHEND
PROJECT NUMBER: STP SCTT(I)

FILE NAME: 904225sub1B.dgn
PROJECT LEADER: M.D.SARGENT
DESIGNED BY: J.C.RIPLEY
PROP. ABUT NO. 1 PLAN & ELEVATION

PLOT DATE: 8/13/2015
DRAWN BY: T.A.CELINAS
CHECKED BY: S.T.JAMES
SHEET 35 OF 60

Hoyle, Tanner & Associates, Inc.

HTA PROJECT	MODEL
904225	904225sub1B