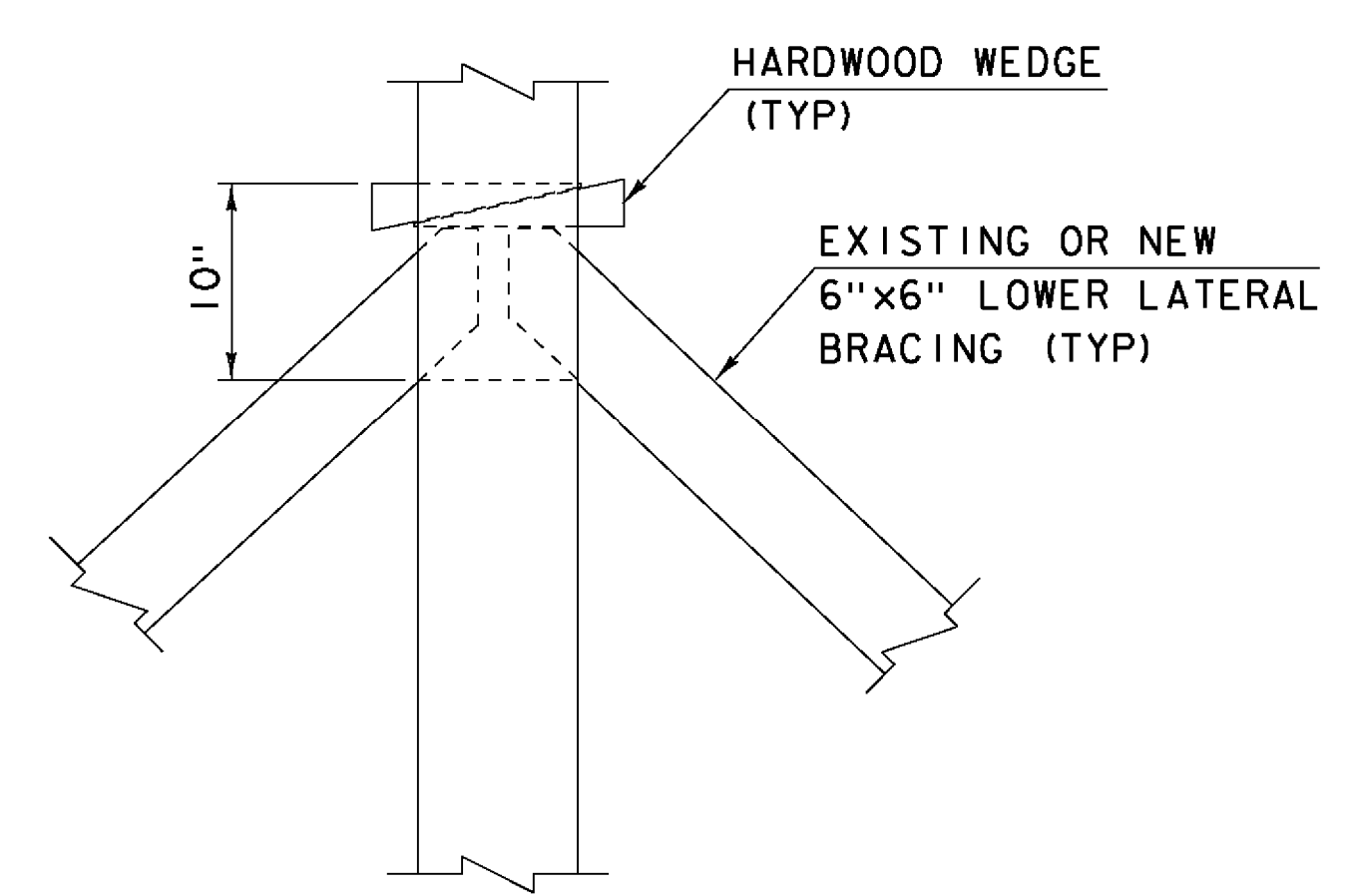
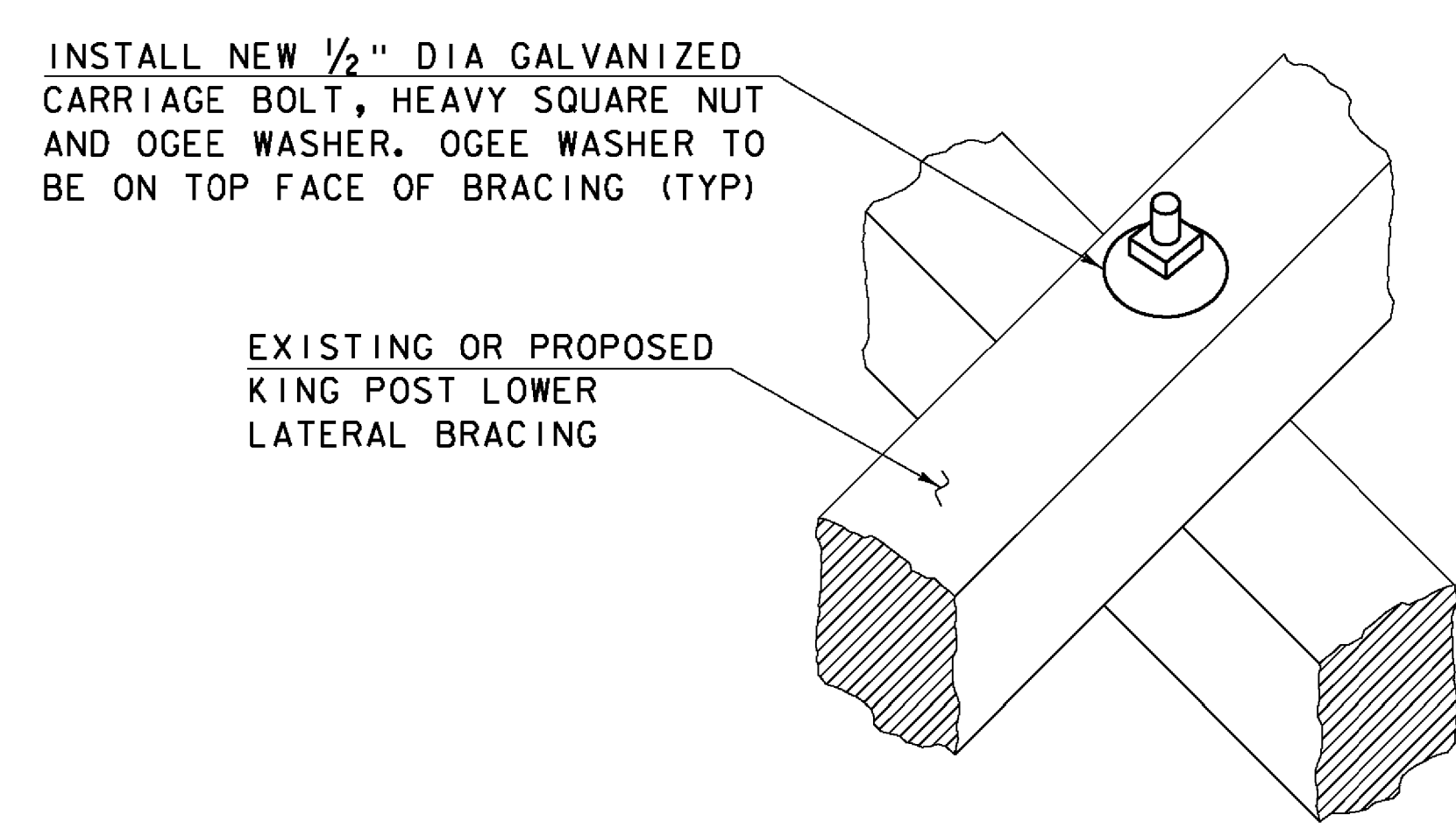


STATIONING →
KING POST LOWER LATERAL BRACING PLAN
 SCALE: 1/4" = 1'-0"

REMOVE LOOSE SPIKE AND REPLACE WITH NEW 1/2" DIA GALVANIZED THROUGH BOLTS, OGEE WASHER AND HEAVY SQUARE NUT (SEE DETAIL ON THIS SHEET)



KING POST LOWER LATERAL BRACING CONNECTION DETAIL
 NOT TO SCALE



KING POST LOWER LATERAL BRACING CONNECTION DETAIL
 NOT TO SCALE

LEGEND

- PREDETERMINED MEMBER TO BE REPLACED
- XX TRUSS NODE LOCATION

PROJECT NAME: TOWNSHEND	
PROJECT NUMBER: STP SCTT(I)	
FILE NAME: 904225supl6.dgn	PLOT DATE: 8/13/2015
PROJECT LEADER: M.D.SARGENT	DRAWN BY: T.A.GELINAS
DESIGNED BY: J.C.RIPLEY	CHECKED BY: S.T.JAMES
L. LAT. BRACING PLAN & DETAILS (1 OF 3) SHEET 31 OF 60	

Hoyle, Tanner & Associates, Inc.

HTA PROJECT	MODEL
904225	904225supl6

8/13/2015 11:00:22 AM K:\04225\supl6.dgn