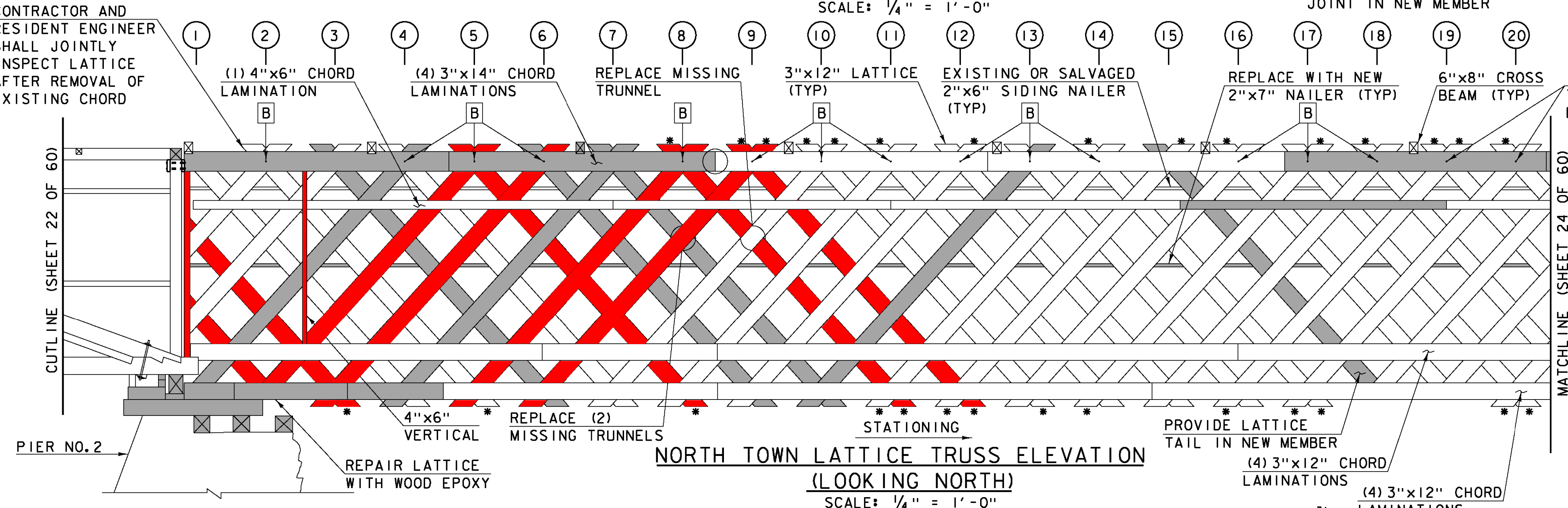
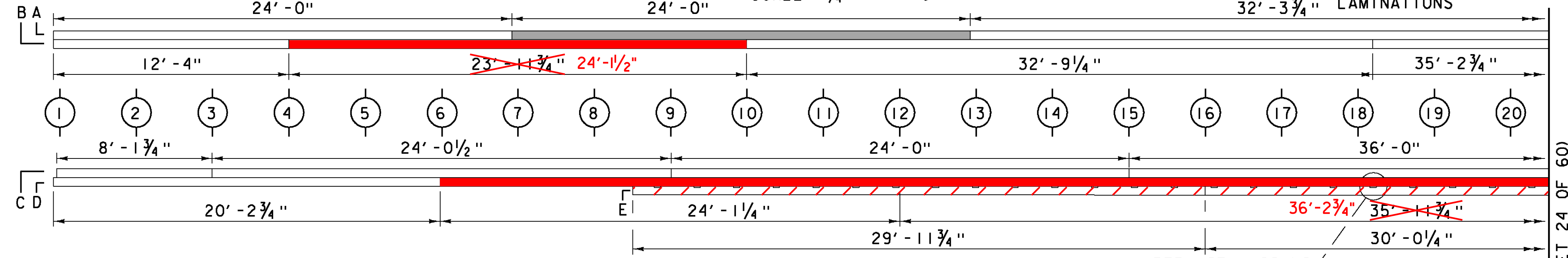


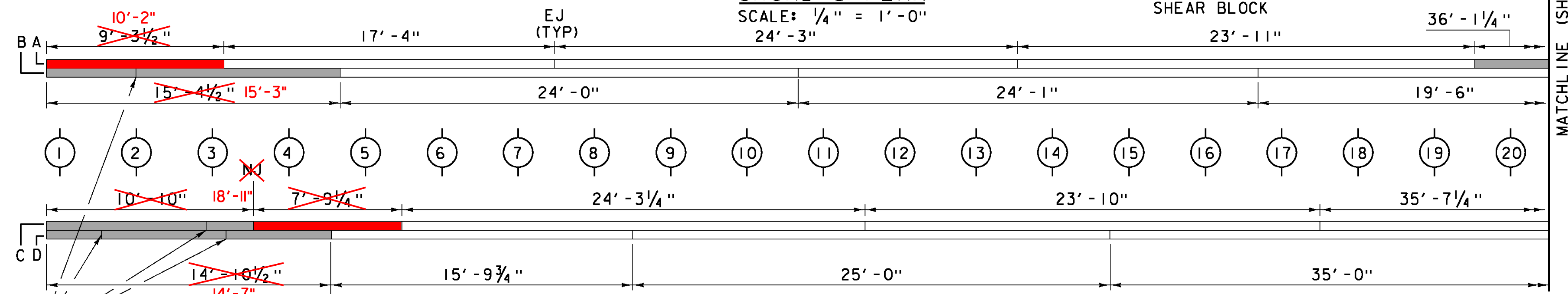
CHORD 1 PLAN
SCALE: 1/4" = 1'-0"



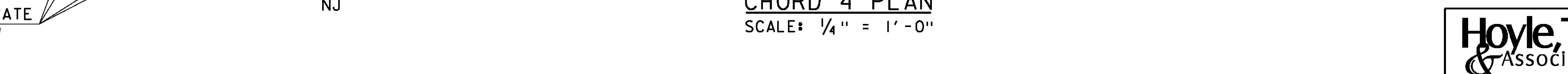
NORTH TOWN LATTICE TRUSS ELEVATION
(LOOKING NORTH)
SCALE: 1/4" = 1'-0"



CHORD 2 PLAN
SCALE: 1/4" = 1'-0"



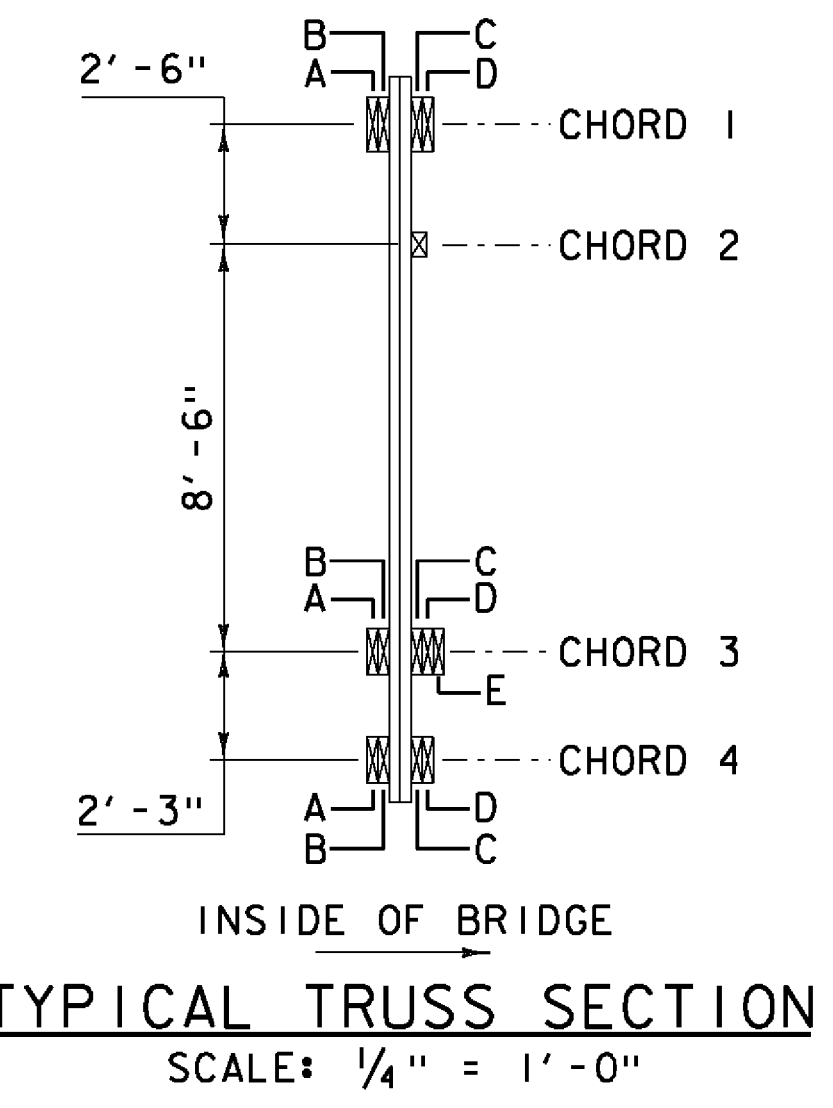
CHORD 3 PLAN
SCALE: 1/4" = 1'-0"



CHORD 4 PLAN
SCALE: 1/4" = 1'-0"

NOTES

1. ALL CHORD JOINT TO JOINT DISTANCES ARE APPROXIMATE. DIMENSIONS SHOWN IN THIS DRAWING WERE OBTAINED FROM LIMITED FIELD MEASUREMENTS AND SHALL BE VERIFIED BY THE CONTRACTOR PRIOR TO PLACING THE WOOD ORDER.
2. RAFTERS, ARCHES, FLOOR BEAMS AND LATERAL BRACING NOT SHOWN FOR CLARITY.
3. REPLACEMENT OR ADDITION OF TRUNNEL AND THROUGH BOLT CONNECTIONS ARE INCLUDED IN ITEM 900.645, SPECIAL PROVISION (REHABILITATING COVERED BRIDGE SUPERSTRUCTURE) (SEE NOTE W-8 ON SHEET 7).



TYPICAL TRUSS SECTION
SCALE: 1/4" = 1'-0"

- LEGEND**
- MEMBER REMOVED
 - PREDETERMINED MEMBER TO BE REPLACED
 - TRUSS NODE LOCATION
 - EJ EXISTING CHORD JOINT
 - NJ NEW CHORD JOINT
 - * DENOTES SPLIT IN LATTICE MEMBER TO BE REPAIRED (SEE DETAILS ON SHEET 42)
 - EXISTING THROUGH BOLT (SEE DETAIL ON SHEET 42)

CONTRACTOR AND RESIDENT ENGINEER SHALL JOINTLY INSPECT LATTICE AFTER REMOVAL OF EXISTING CHORD

DO NOT REPLICATE JOINTS IN NEW MEMBERS

8/13/2015 1:00:22 PM g:\projects\904225\sup8.dgn

Hoyle, Tanner & Associates, Inc.

HTA PROJECT	MODEL
904225	904225sup8

PROJECT NAME: TOWNSHEND	FILE NAME: 904225sup8.dgn	PLOT DATE: 8/13/2015
PROJECT NUMBER: STP SCTT(I)	PROJECT LEADER: M.D.SARGENT	DRAWN BY: T.A.GELINAS
	DESIGNED BY: J.C.RIPLEY	CHECKED BY: S.T.JAMES
	NORTH TRUSS ELEVATION (2 OF 3)	SHEET 23 OF 60