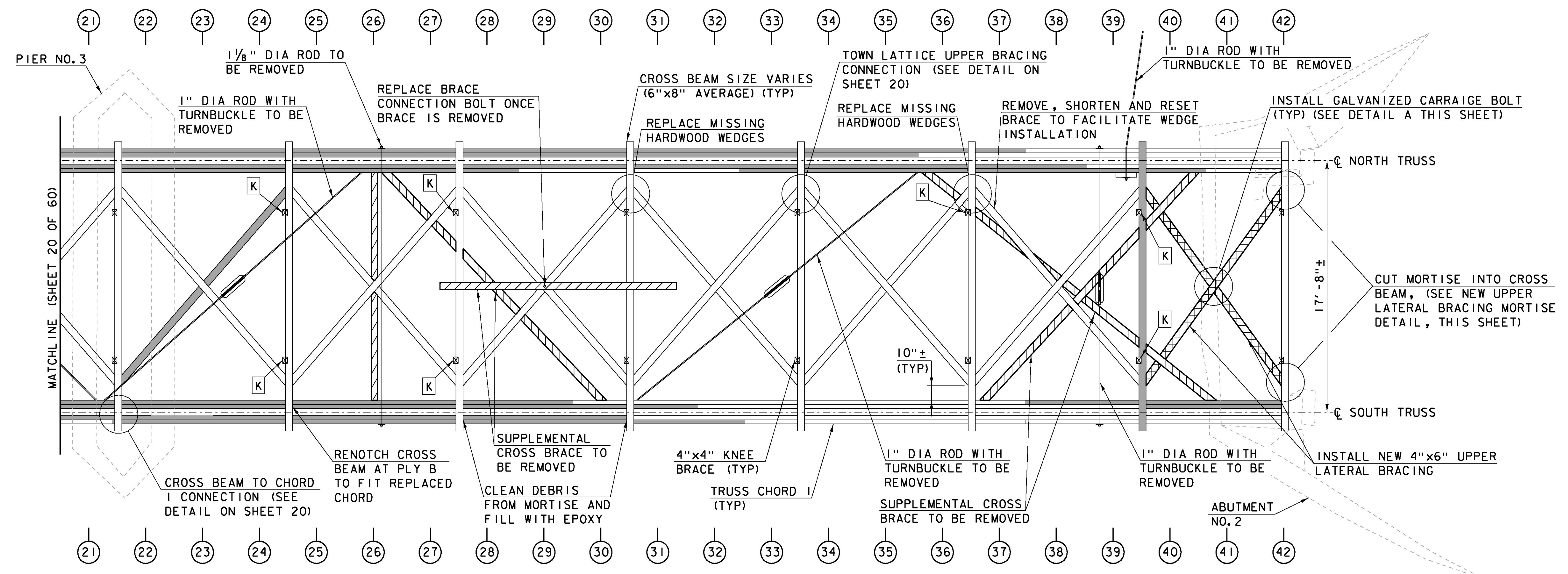


WEST RIVER



TOWN LATTICE UPPER BRACING PLAN

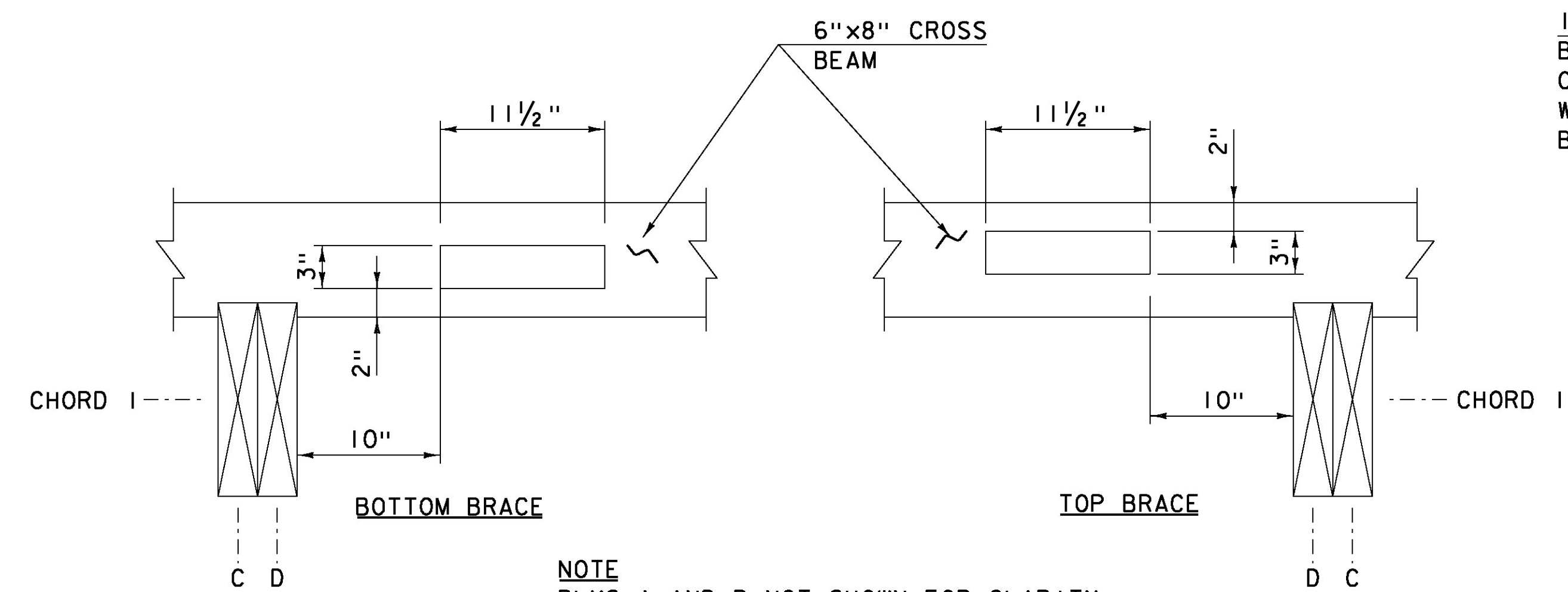
SCALE: 1/4" = 1'-0"

LEGEND

- PREDETERMINED MEMBER TO BE REPLACED
- PREDETERMINED MEMBER TO BE REMOVED
- INSTALL NEW MEMBER
- REPLACE EXISTING KNEE BRACE (SEE DETAIL ON SHEET 41)
- TRUSS NODE LOCATION

NOTE

1. SEE SHEET 20 FOR ADDITIONAL NOTES AND DETAILS THAT APPLY TO THIS SHEET.

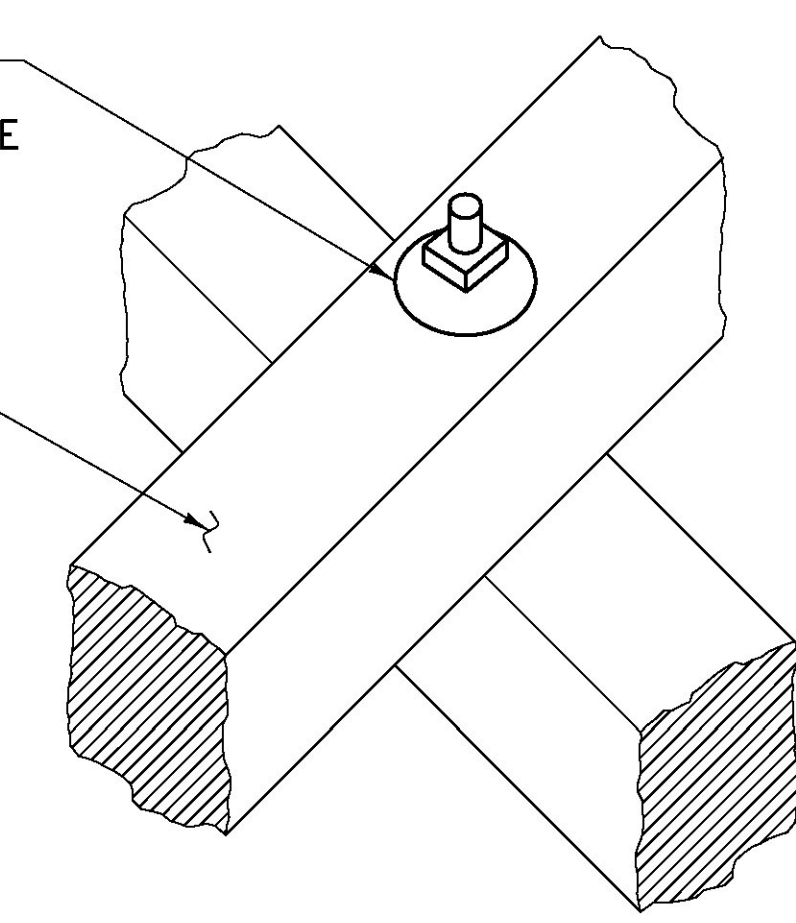


TOWN LATTICE NEW UPPER LATERAL BRACING MORTISE DETAIL

SCALE: 1 1/2" = 1'-0"

INSTALL NEW 1/2" DIA CARRIAGE BOLT, HEAVY SQUARE NUT AND OGEE WASHER (GALVANIZED). OGEE WASHER TO BE ON TOP FACE OF BRACING (TYP)

EXISTING OR NEW TOWN LATTICE UPPER LATERAL BRACING



DETAIL A
NOT TO SCALE

Hoyle, Tanner & Associates, Inc.

HTA PROJECT	MODEL
904225	904225sup6

PROJECT NAME:	TOWNSHEND	PLOT DATE:	8/13/2015
PROJECT NUMBER:	STP SCTT(I)	DRAWN BY:	T.A.GELINAS
FILE NAME:	904225sup6.dgn	DESIGNED BY:	J.C.RIPLEY
PROJECT LEADER:	M.D.SARGENT	CHECKED BY:	S.T.JAMES
U. LAT. BRACING PLAN & DETAILS (3 OF 3)		SHEET 21 OF 60	

8/13/2015 1:56:22 PM C:\Users\hoyle\OneDrive\904225sup6.dgn