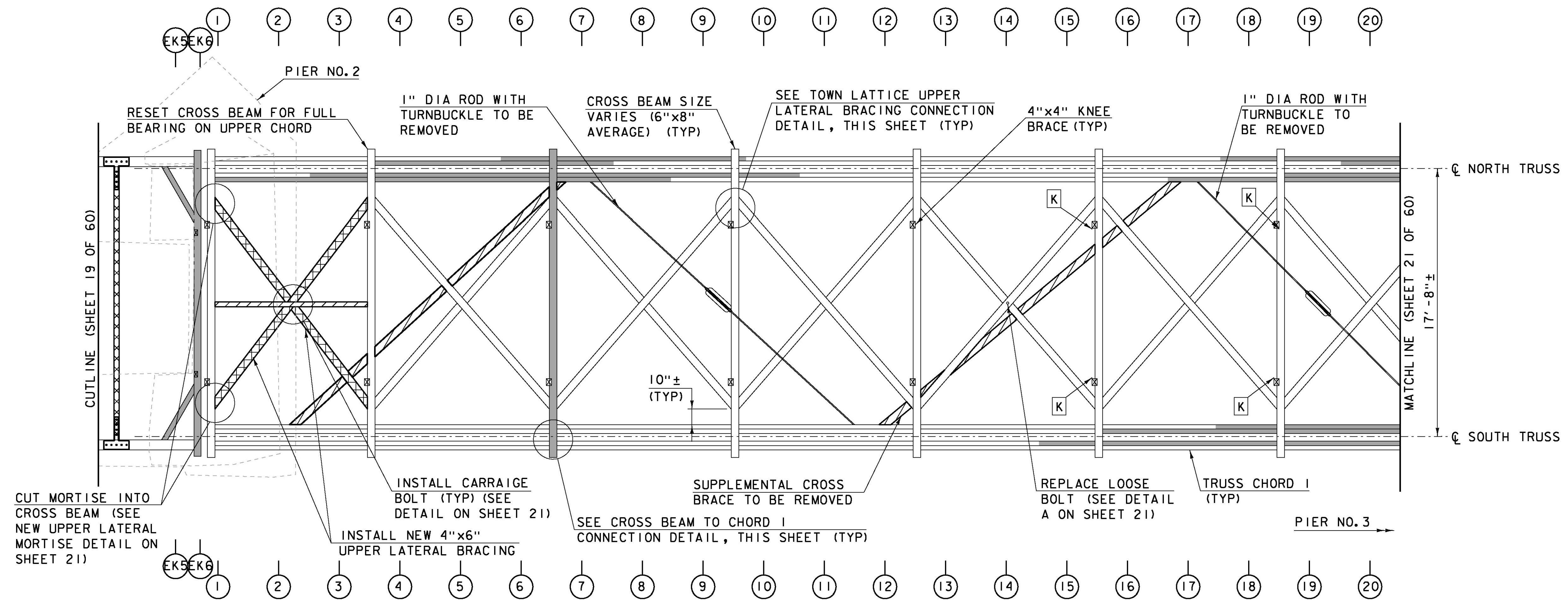


WEST RIVER



LEGEND

- PREDETERMINED MEMBER TO BE REPLACED
- PREDETERMINED MEMBER TO BE REMOVED
- INSTALL NEW MEMBER
- REPLACE EXISTING KNEE BRACE (SEE DETAIL ON SHEET 41)
- TRUSS NODE LOCATION

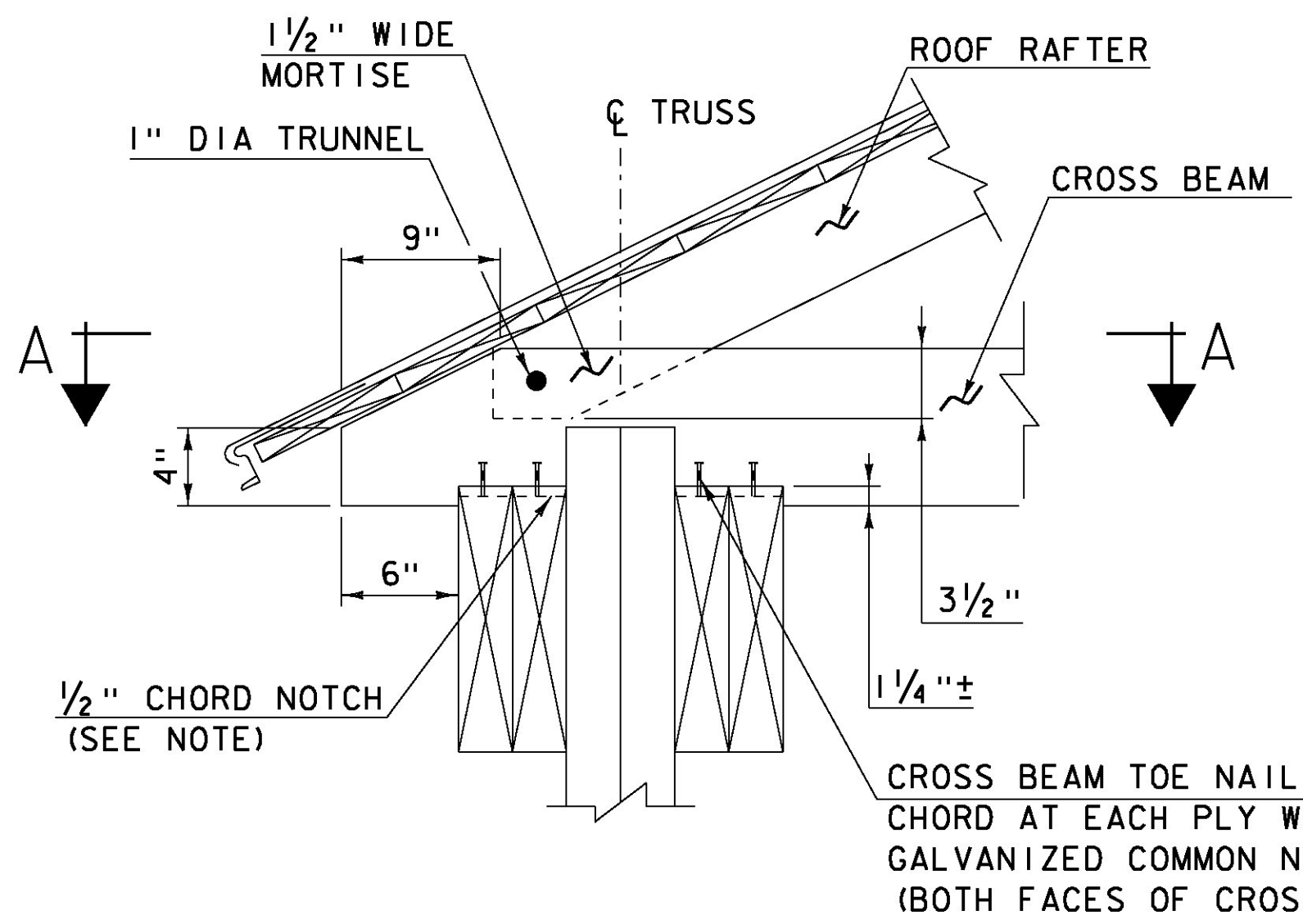
NOTES

1. ALL HOLES IN THE TOWN LATTICE UPPER CHORD MEMBERS FROM EXISTING METAL RODS AND SUPPLEMENTAL UPPER BRACING SHALL BE PLUGGED WITH A HARDWOOD DOWEL. PAYMENT WILL BE MADE UNDER ITEM 900.645, SPECIAL PROVISION (REHABILITATING COVERED BRIDGE SUPERSTRUCTURE).
2. SEE SHEET 21 FOR ADDITIONAL DETAILS THAT APPLY TO THIS SHEET.

PROJECT NAME:	TOWNSHEND
PROJECT NUMBER:	STP SCTT(I)
FILE NAME:	904225sup5.dgn
PROJECT LEADER:	M.D.SARGENT
DESIGNED BY:	J.C.RIPLEY
CHECKED BY:	S.T.JAMES
PLOT DATE:	8/13/2015
DRAWN BY:	T.A.GELINAS
U. LAT. BRACING PLAN & DETAILS (2 OF 3) SHEET 20 OF 60	

TOWN LATTICE UPPER BRACING PLAN

SCALE: 1/4" = 1'-0"

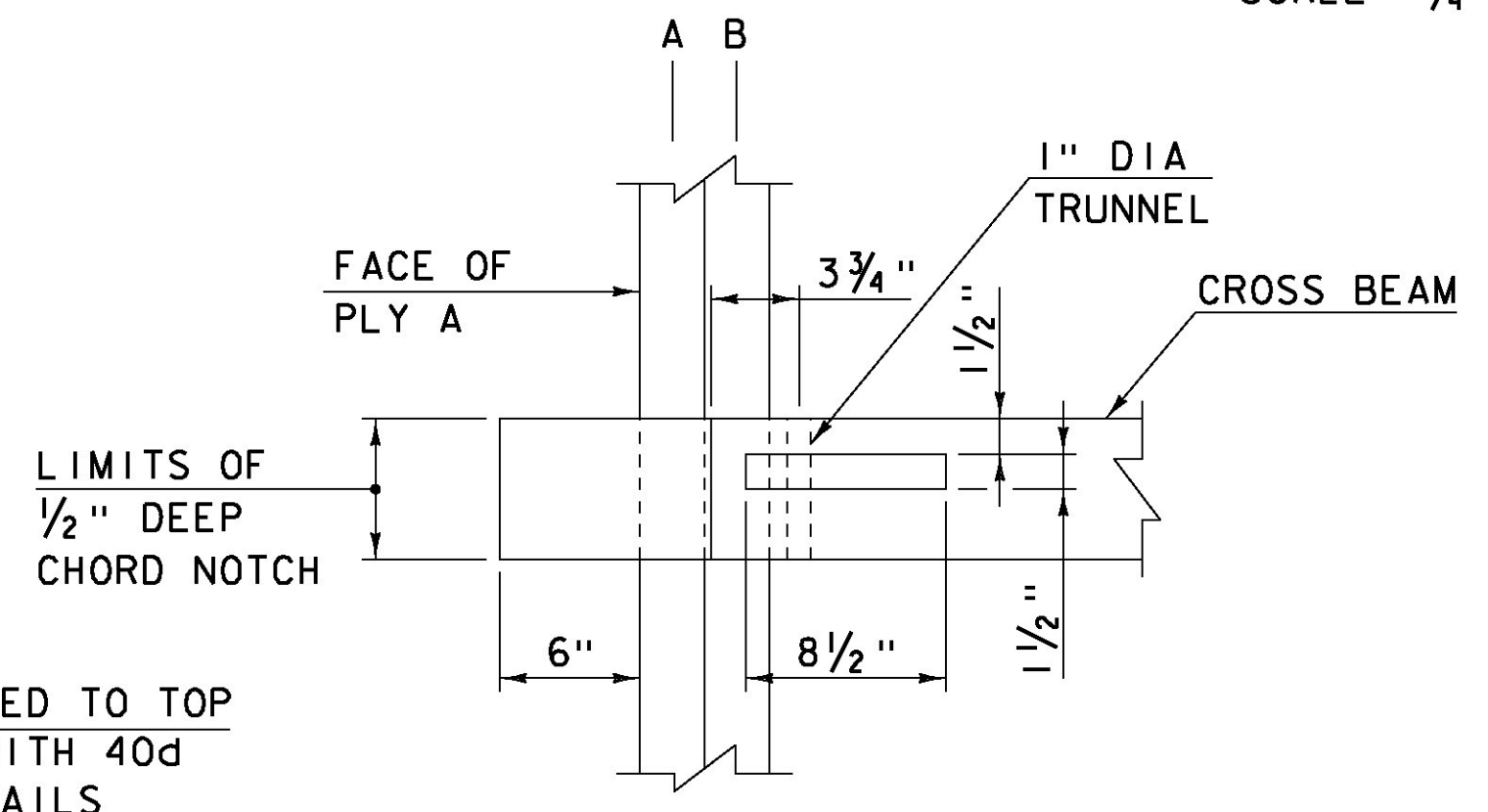


NOTE

THE TOP OF CHORD I WITHIN THE LIMITS OF THE CROSS BEAM SHALL BE NOTCHED BY 1/2".

TOWN LATTICE CROSS BEAM TO CHORD I CONNECTION DETAIL

SCALE: 1/2" = 1'-0"

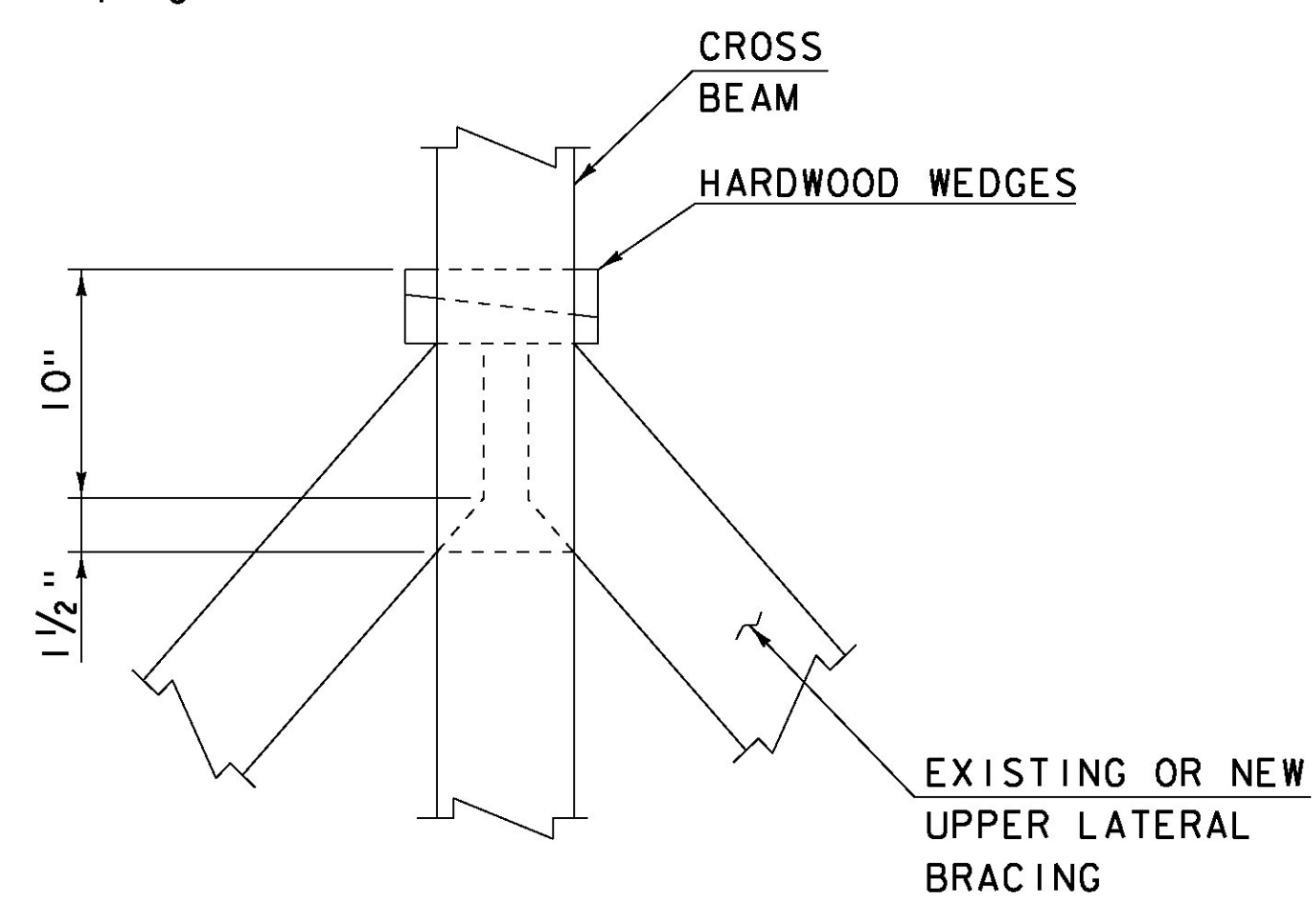


NOTE

PLIES C AND D NOT SHOWN FOR CLARITY.

SECTION A-A

SCALE: 1/2" = 1'-0"



TOWN LATTICE UPPER LATERAL BRACING CONNECTION DETAIL

SCALE: 1/2" = 1'-0"

Hoyle, Tanner & Associates, Inc.

HTA PROJECT	MODEL
904225	904225sup5

8/13/2015 1:09:42 PM C:\Users\jcr\Documents\904225sup5.dgn