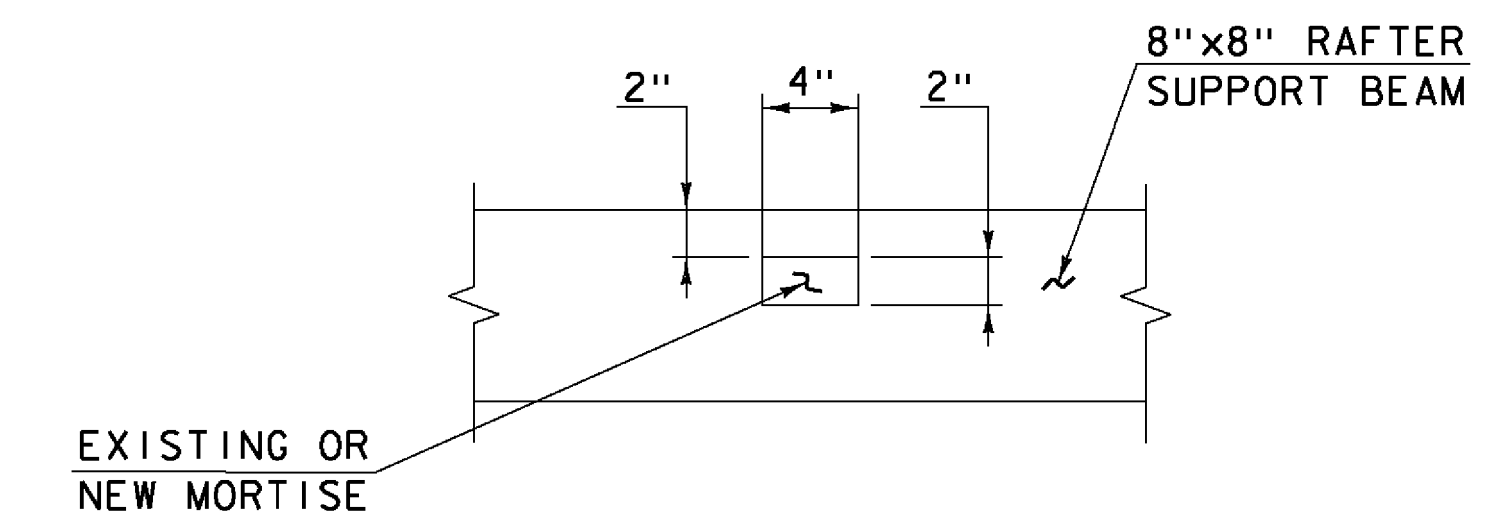
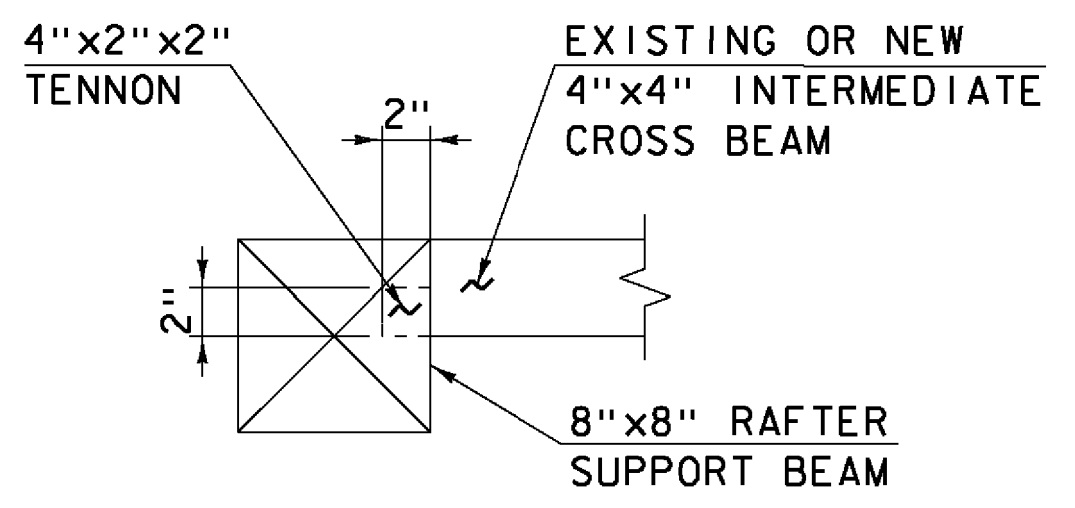


STATIONING
KING POST UPPER LATERAL BRACING PLAN
 SCALE: 1/4" = 1'-0"



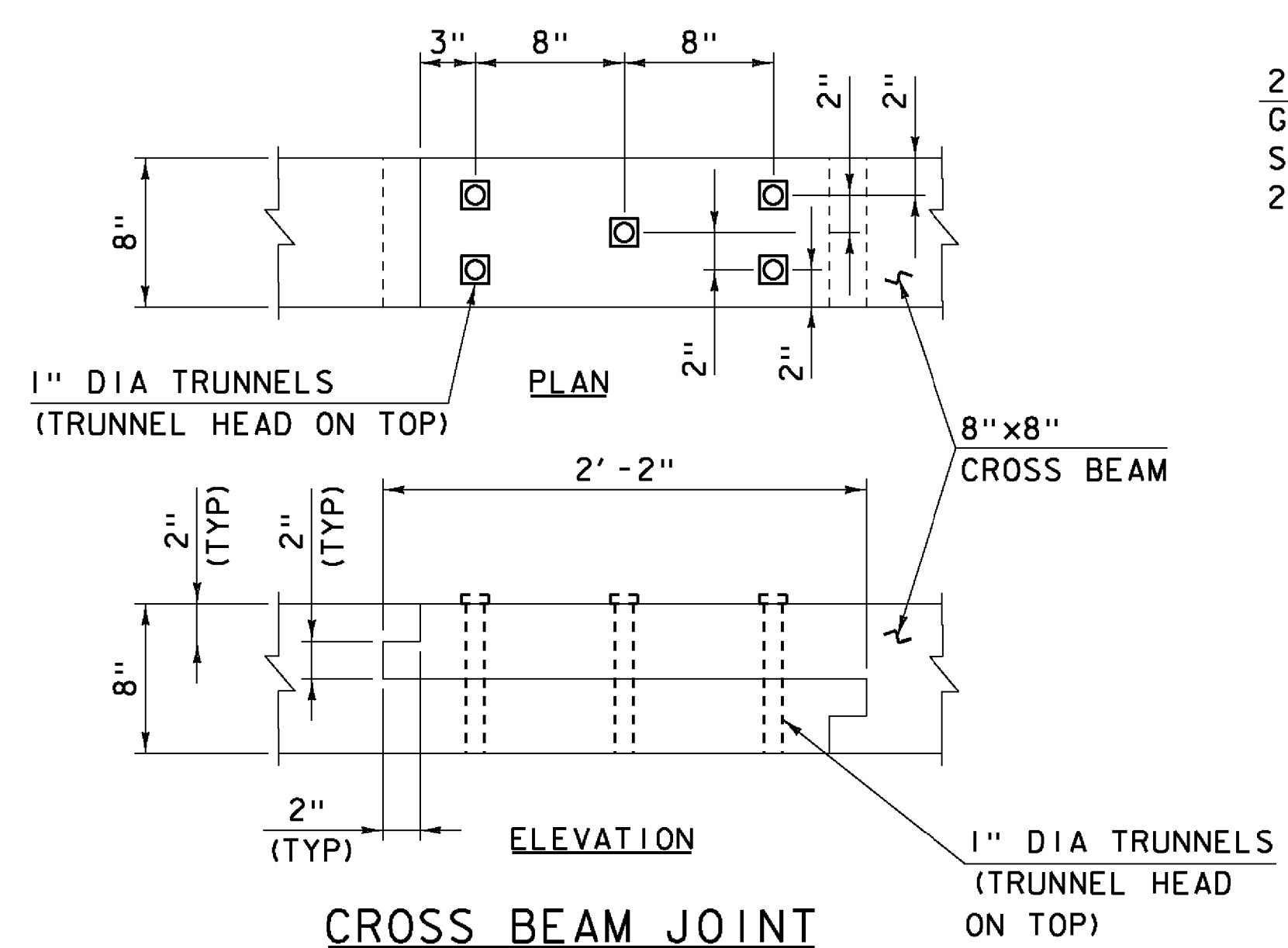
NOTE
 GALVANIZED TIE PLATE NOT SHOWN FOR CLARITY.

SECTION A-A
 (WEST KING POST SPAN ONLY)
 SCALE: 1/2" = 1'-0"



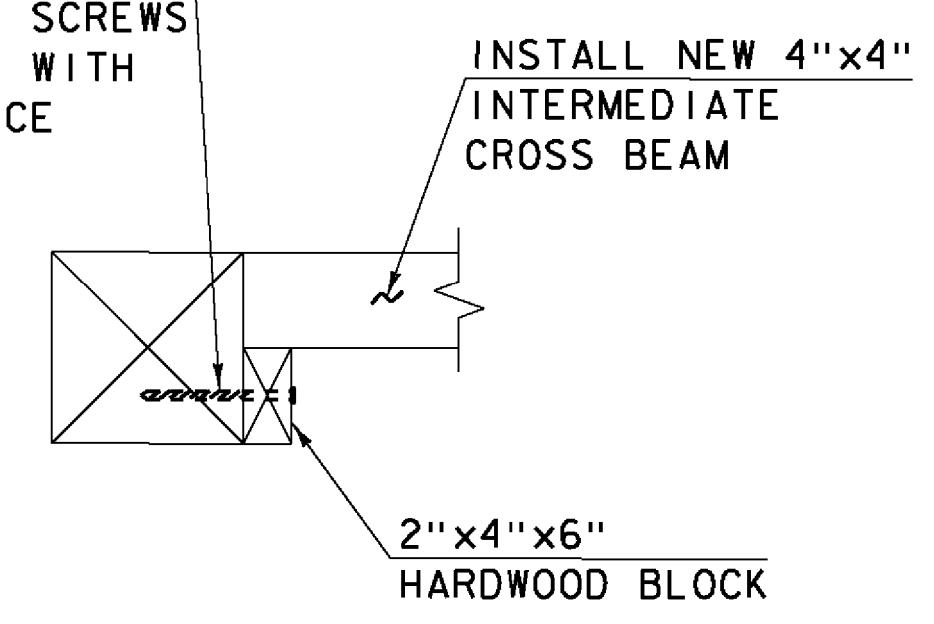
NOTE
 GALVANIZED TIE PLATE NOT SHOWN FOR CLARITY.

SECTION B-B
 (WEST KING POST SPAN ONLY)
 SCALE: 1/2" = 1'-0"



CROSS BEAM JOINT
 SCALE: 1/2" = 1'-0"

2- 3/8" DIA x 6" LONG
 GALVANIZED LAG SCREWS
 SPACED 2" O.C. WITH
 2" EDGE DISTANCE



NOTE
 GALVANIZED TIE PLATE NOT SHOWN FOR CLARITY.

SECTION C-C
 (EAST KING POST SPAN ONLY)
 SCALE: 1/2" = 1'-0"

LEGEND

- PREDETERMINED MEMBER TO BE REPLACED
- PREDETERMINED MEMBER TO BE REMOVED
- INSTALL NEW MEMBER
- KC** ADD NEW OR REPLACE EXISTING CROSS BEAM KNEE BRACE (SEE DETAIL ON SHEET 41)
- KR** ADD NEW OR REPLACE EXISTING RAFTER KNEE BRACE (SEE DETAIL ON SHEET 41)
- XX** TRUSS NODE LOCATION

PROJECT NAME: TOWNSHEND	
PROJECT NUMBER: STP SCTT(1)	
FILE NAME: 904225sup4.dgn	PLOT DATE: 8/13/2015
PROJECT LEADER: M.D.SARGENT	DRAWN BY: T.A.GELINAS
DESIGNED BY: J.C.RIPLEY	CHECKED BY: S.T.JAMES
U. LAT. BRACING PLAN & DETAILS (1 OF 3) SHEET 19 OF 60	

Hoyle, Tanner & Associates, Inc.

HTA PROJECT	MODEL
904225	904225sup4

8/13/2015 1:00:22 PM I:\904225\sup4.dgn