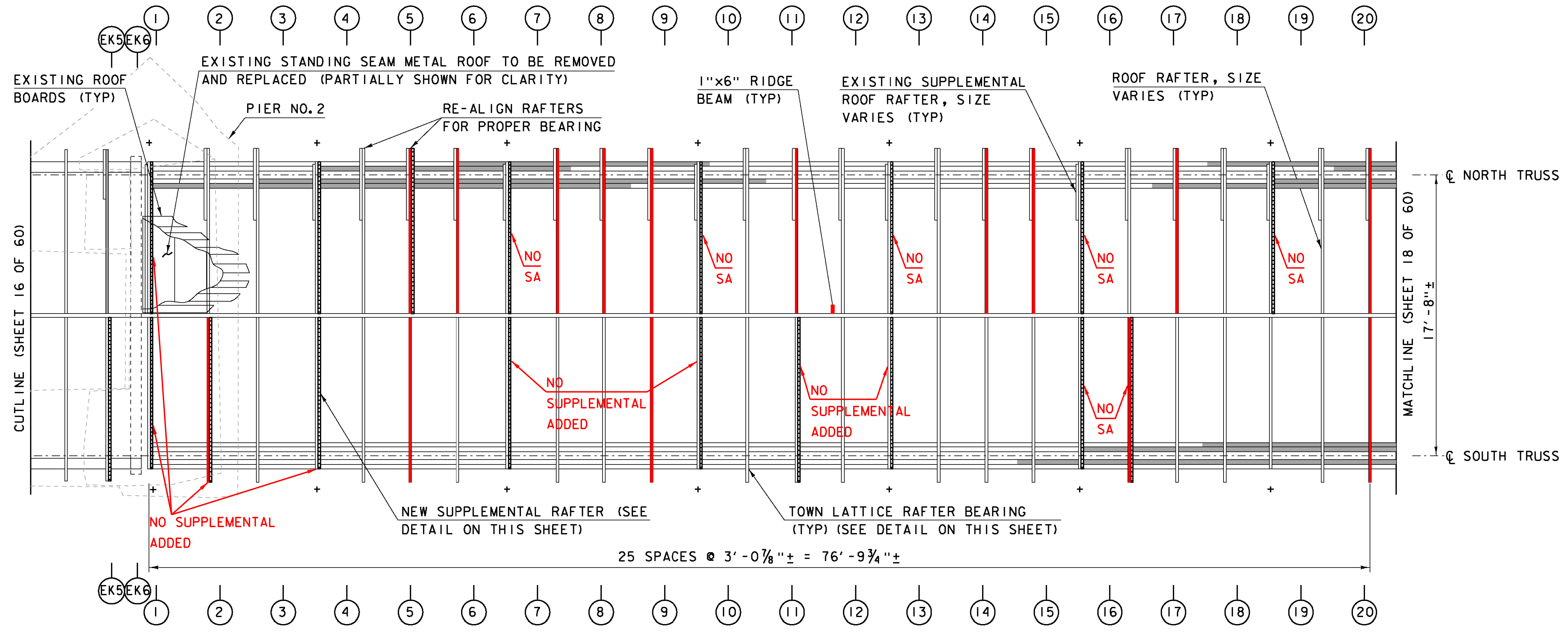
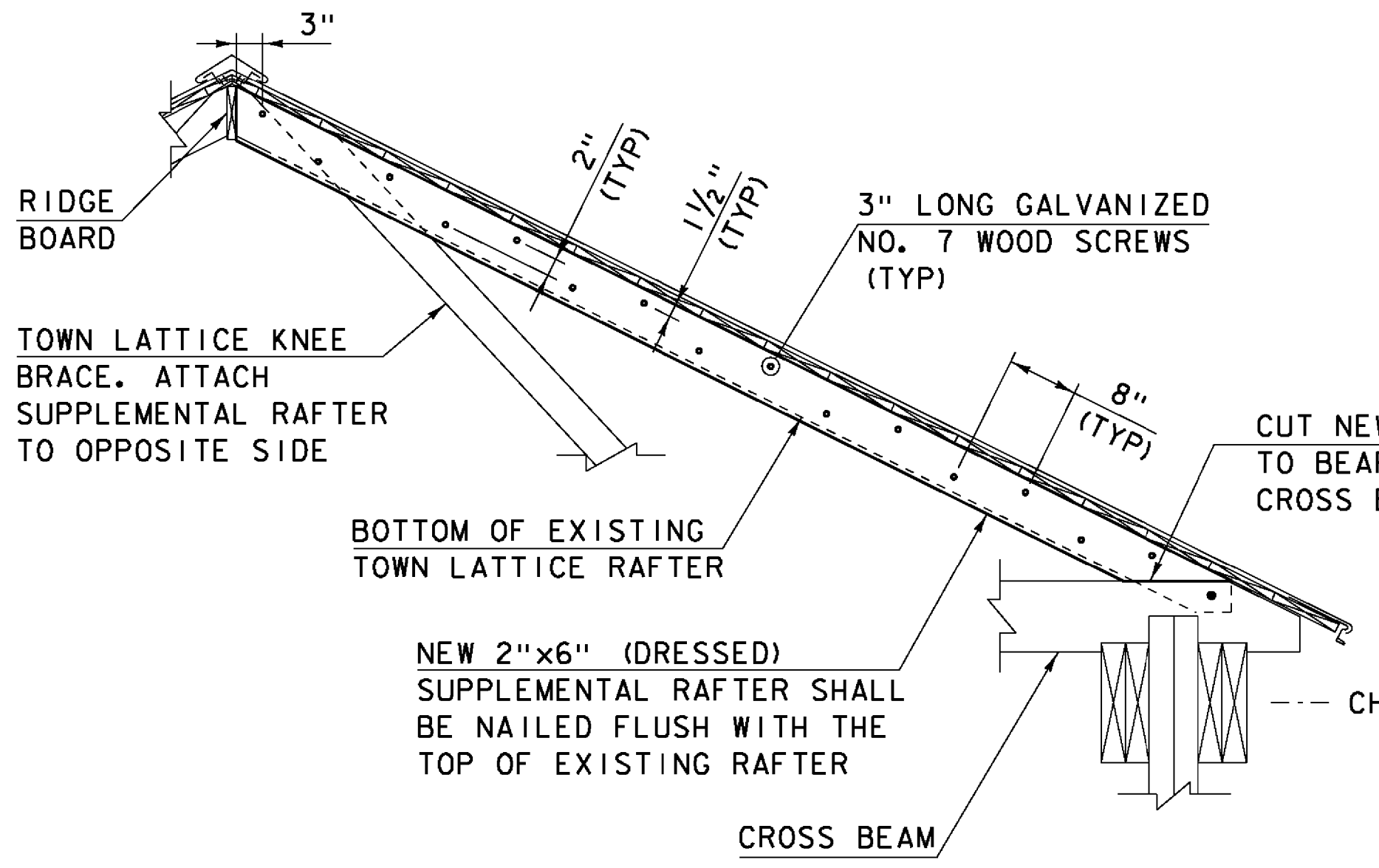


WEST RIVER

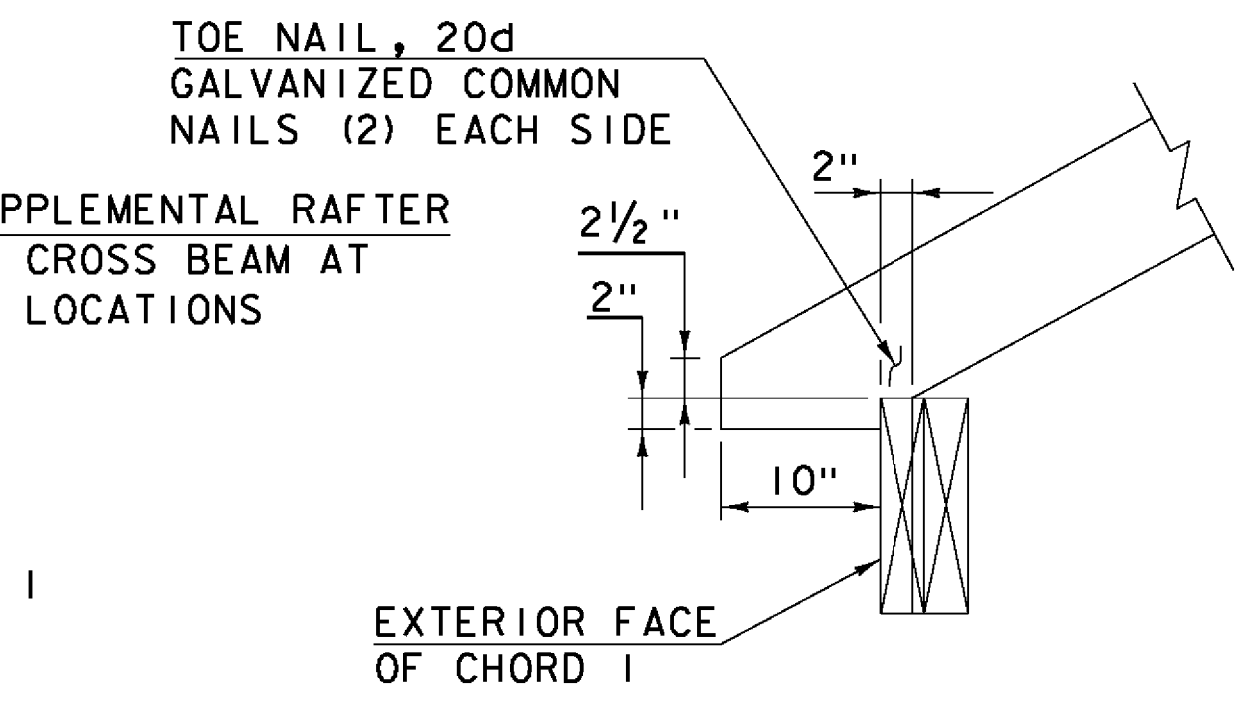


TOWN LATTICE ROOF FRAMING PLAN
SCALE: 1/4" = 1'-0"

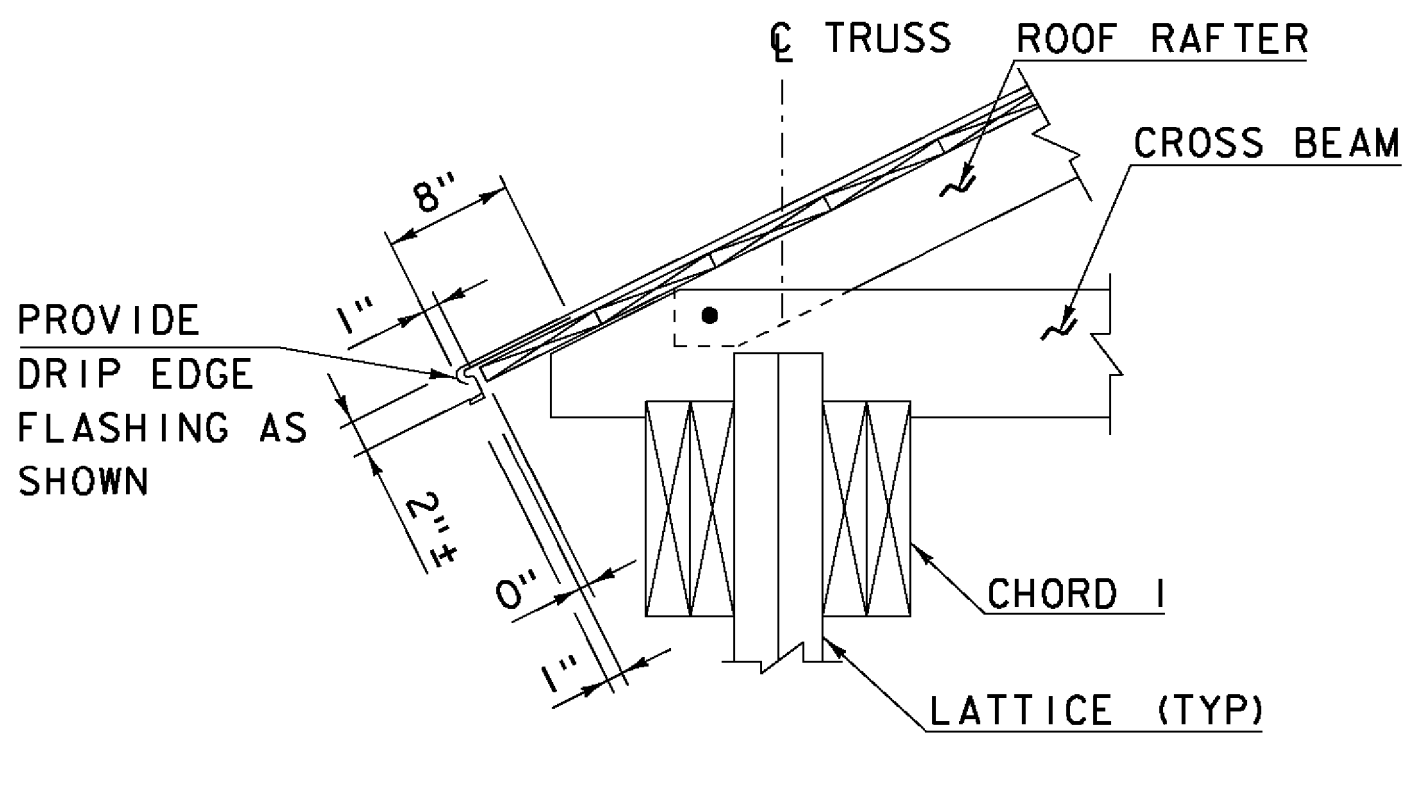
SA: SUPPLEMENTAL ADDED



TOWN LATTICE SUPPLEMENTAL RAFTER DETAIL
SCALE: 3/4" = 1'-0"



TOWN LATTICE RAFTER BEARING DETAIL
SCALE: 1" = 1'-0"



TOWN LATTICE ROOF EAVE DETAIL
SCALE: 1" = 1'-0"

- LEGEND**
- PREDETERMINED MEMBER TO BE REPLACED
 - NEW SUPPLEMENTAL RAFTERS (SEE DETAIL ON THIS SHEET)
 - TRUSS NODE LOCATION
 - APPROXIMATE LOCATION OF CROSS BEAM (NOT SHOWN FOR CLARITY)

NOTE
DRIP EDGE WILL BE INCIDENTAL TO ITEM 661.10, METAL ROOFING.

8/13/2015 11:00:22am g:\projects\904225\sup2.dgn

Hoyle, Tanner & Associates, Inc.

HTA PROJECT	MODEL
904225	904225sup2

PROJECT NAME:	TOWNSHEND
PROJECT NUMBER:	STP SCTT(I)
FILE NAME:	904225sup2.dgn
PROJECT LEADER:	M.D.SARGENT
DESIGNED BY:	J.C.RIPLEY
ROOF FRAMING PLAN & DETAILS (2 OF 3)	SHEET 17 OF 60
PLOT DATE:	8/13/2015
DRAWN BY:	T.A.GELINAS
CHECKED BY:	S.T.JAMES