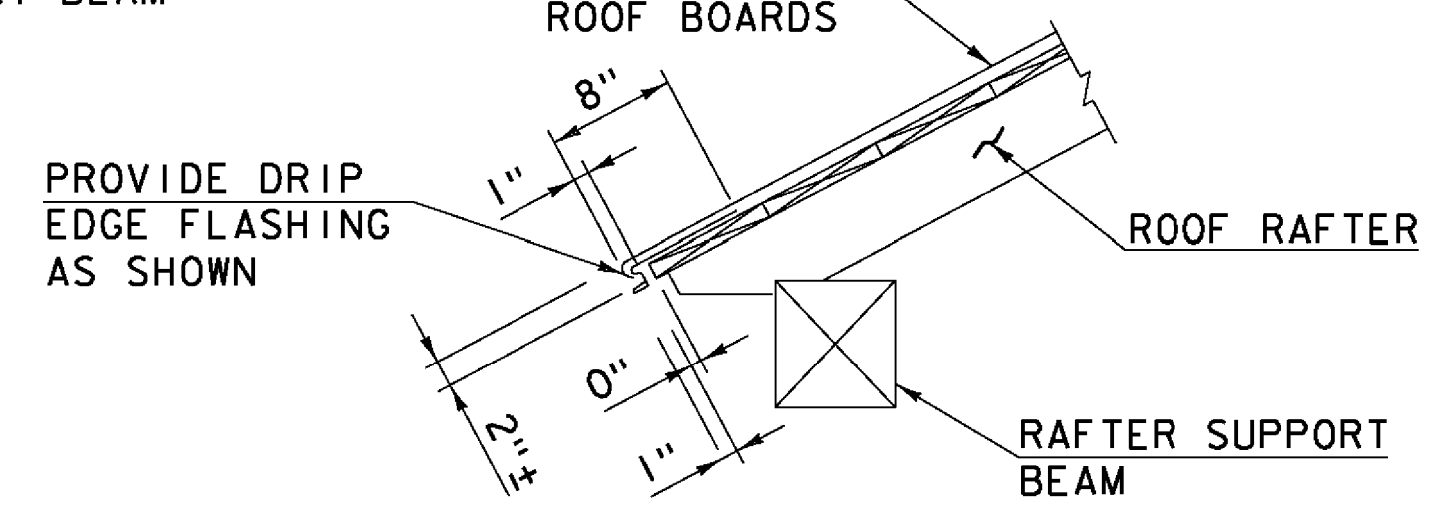
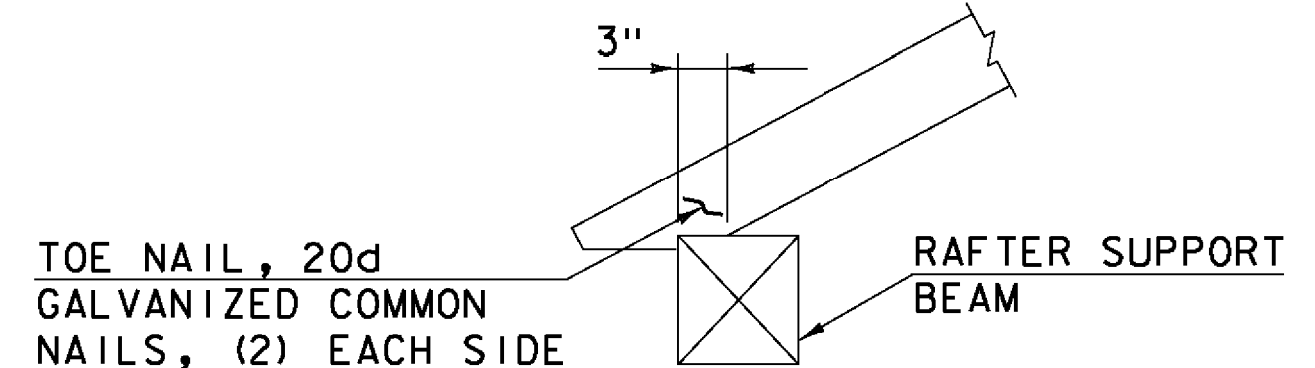


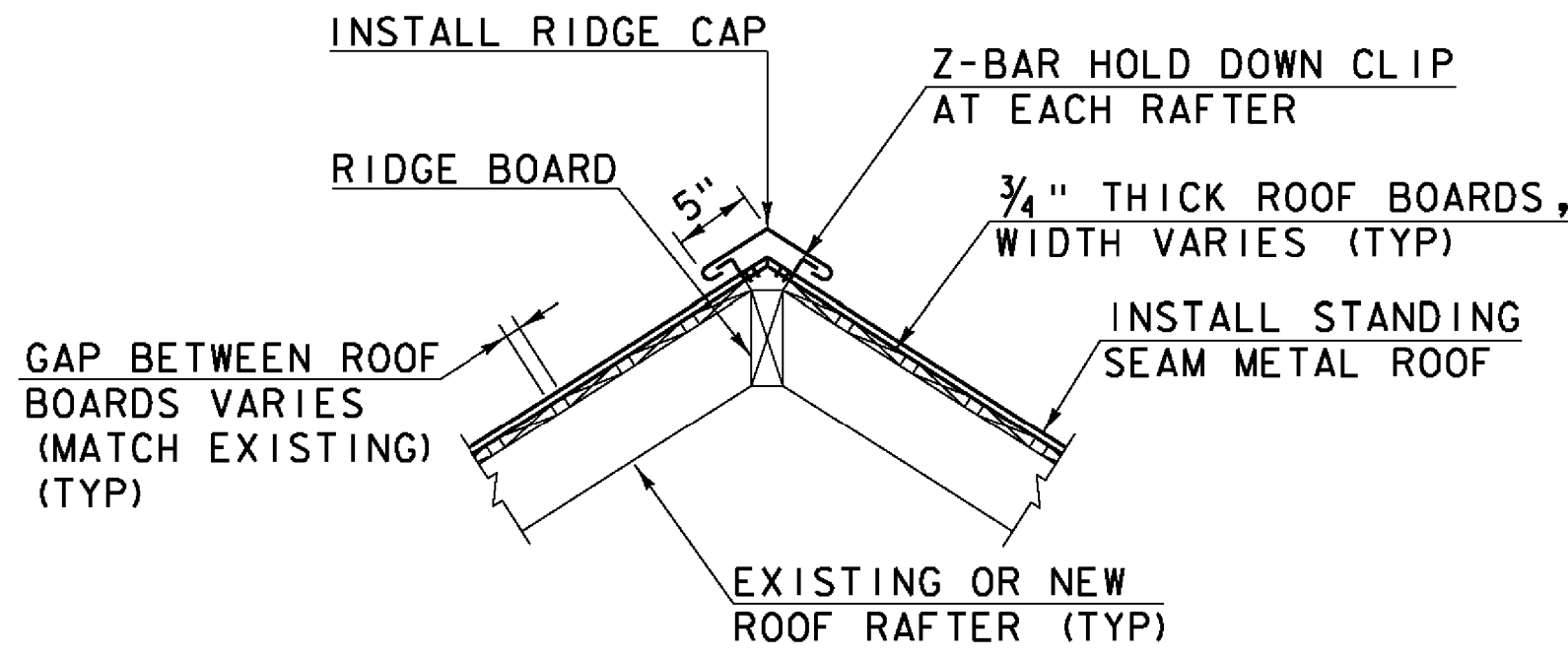
KING POST ROOF FRAMING PLAN
SCALE: 1/4" = 1'-0"



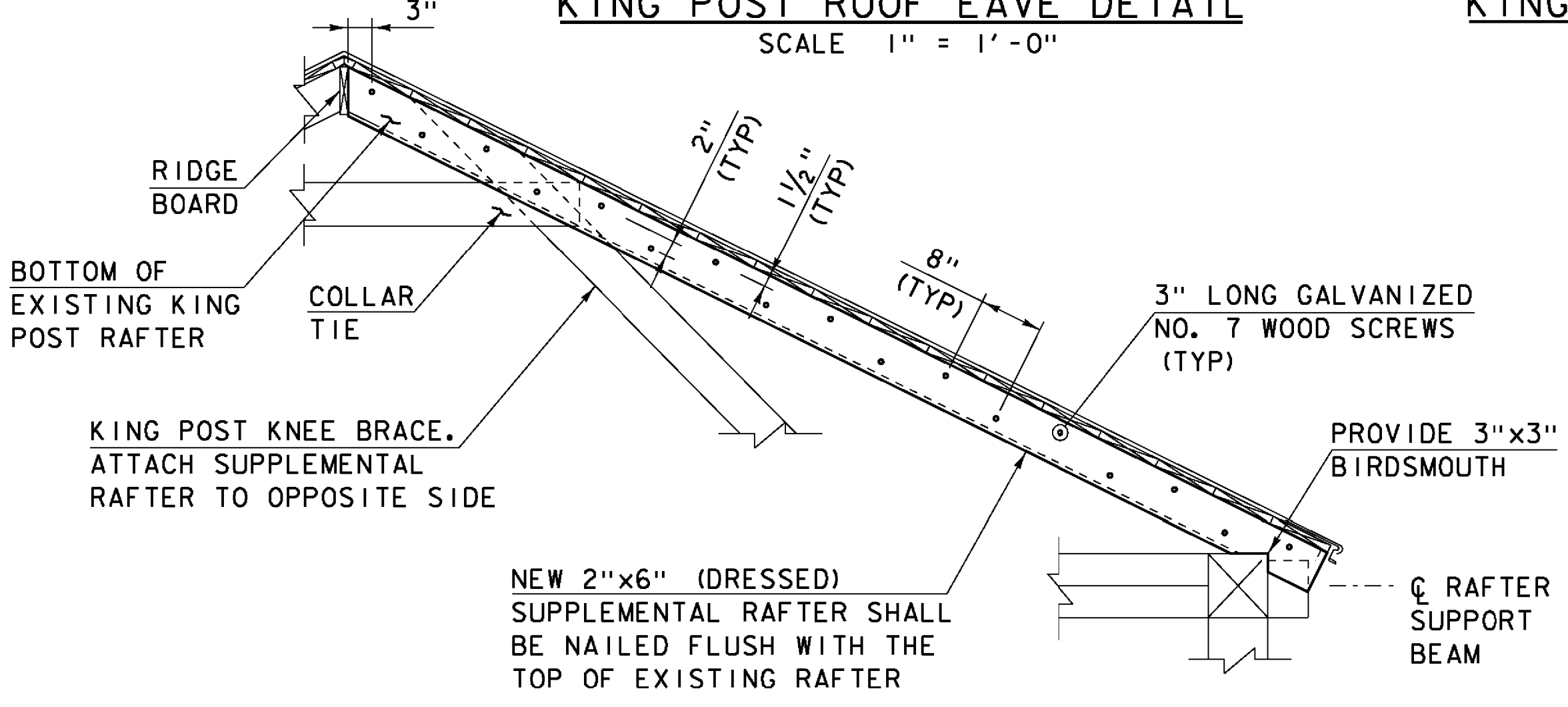
KING POST ROOF EAVE DETAIL
SCALE 1" = 1'-0"



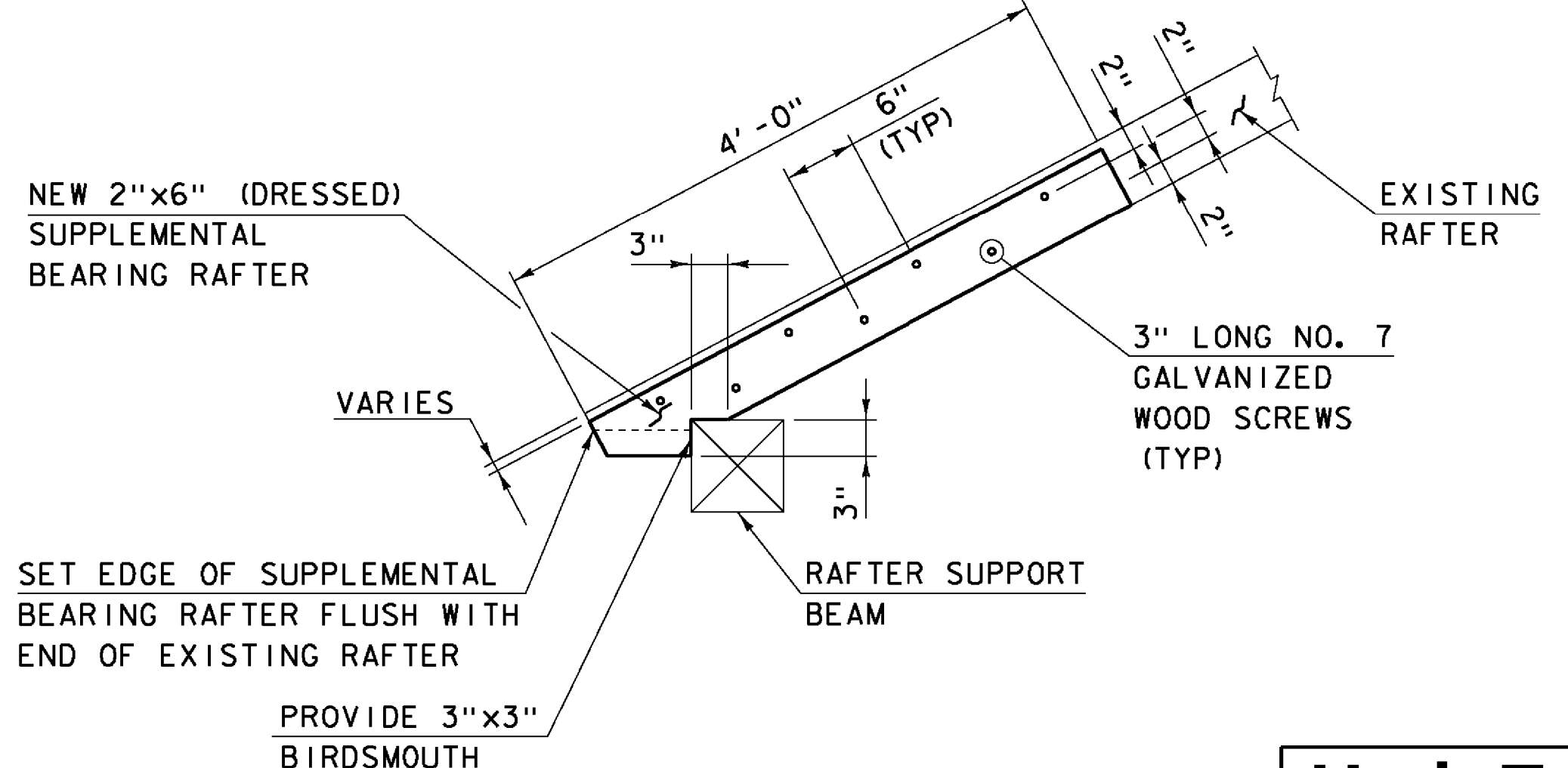
KING POST RAFTER BEARING DETAIL
SCALE 1" = 1'-0"



ROOF RIDGE DETAIL
SCALE 1" = 1'-0"



KING POST SUPPLEMENTAL RAFTER DETAIL
SCALE: 3/4" = 1'-0"



KING POST SUPPLEMENTAL BEARING RAFTER DETAIL
SCALE 1" = 1'-0"

- LEGEND**
- PREDETERMINED MEMBER TO BE REPLACED
 - NEW SUPPLEMENTAL RAFTERS (SEE DETAIL ON THIS SHEET)
 - TRUSS NODE LOCATION
 - APPROXIMATE LOCATION OF CROSS BEAM (NOT SHOWN FOR CLARITY)
 - ADD SUPPLEMENTAL BEARING RAFTER (SEE DETAIL ON THIS SHEET)
 - REPLACED FOR STRENGTH NOT CONDITION

PROJECT NAME: TOWNSHEND
PROJECT NUMBER: STP SCTT(I)

FILE NAME: 904225supl.dgn
PROJECT LEADER: M.D.SARGENT
DESIGNED BY: J.C.RIPLEY

PLOT DATE: 8/13/2015
DRAWN BY: T.A.GELINAS
CHECKED BY: S.T.JAMES

ROOF FRAMING PLAN & DETAILS (1 OF 3) SHEET 16 OF 60

Hoyle, Tanner & Associates, Inc.

HTA PROJECT	MODEL
904225	904225supl

8/13/2015 1:00:22 PM K:\04225supl.dgn