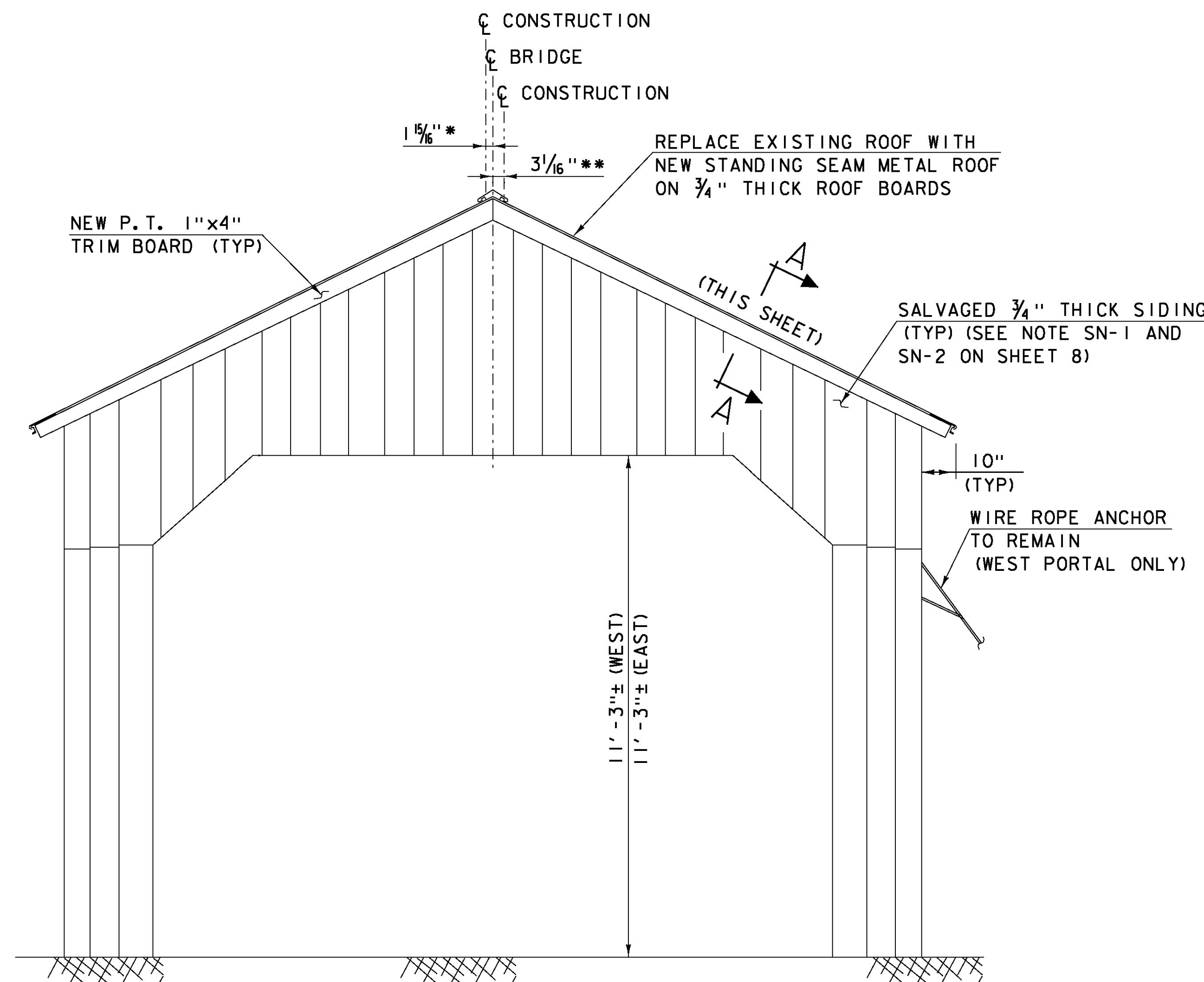


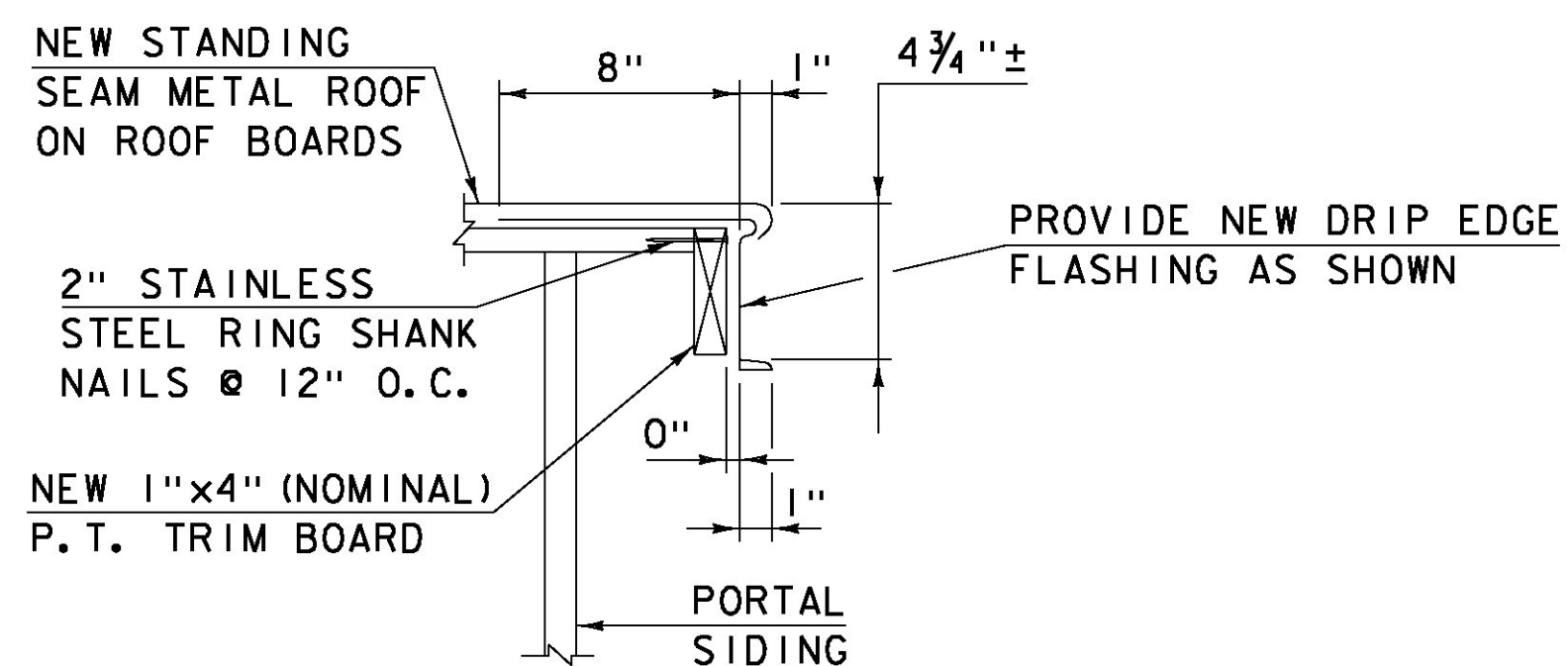
**EXISTING PORTAL ELEVATION
(LOOKING EAST)**

(WEST PORTAL SHOWN, EAST PORTAL SIMILAR)
SCALE: 1/4" = 1'-0"
* WEST PORTAL
** EAST PORTAL



**PROPOSED PORTAL ELEVATION
(LOOKING EAST)**

(WEST PORTAL SHOWN, EAST PORTAL SIMILAR)
SCALE: 1/4" = 1'-0"
* WEST PORTAL
** EAST PORTAL



**SECTION A-A
NOT TO SCALE**

NOTE

- DIMENSIONS SHOWN ON THE EXISTING PORTAL ELEVATION SHALL BE MAINTAINED EXCEPT WHERE NOTED OTHERWISE IN THE PROPOSED PORTAL ELEVATION.

DIMENSIONS OF TIMBER AND LUMBER MEMBERS SHOWN ON THE PLANS ARE THE ACTUAL SIZES UNLESS NOTED OTHERWISE.



HTA PROJECT	MODEL
904225	904225sup19

PROJECT NAME:	TOWNSHEND
PROJECT NUMBER:	STP SCTT(I)
FILE NAME:	904225sup19.dgn
PROJECT LEADER:	M.D.SARGENT
DESIGNED BY:	J.C.RIPLEY
EXIST. & PROP. PORTAL ELEVATIONS	
PLOT DATE:	8/13/2015
DRAWN BY:	T.A.GELINAS
CHECKED BY:	S.T.JAMES
SHEET	3 OF 60

8/13/2015 1:56:42 PM c:\p04\hwt\sup19\sup19.dgn