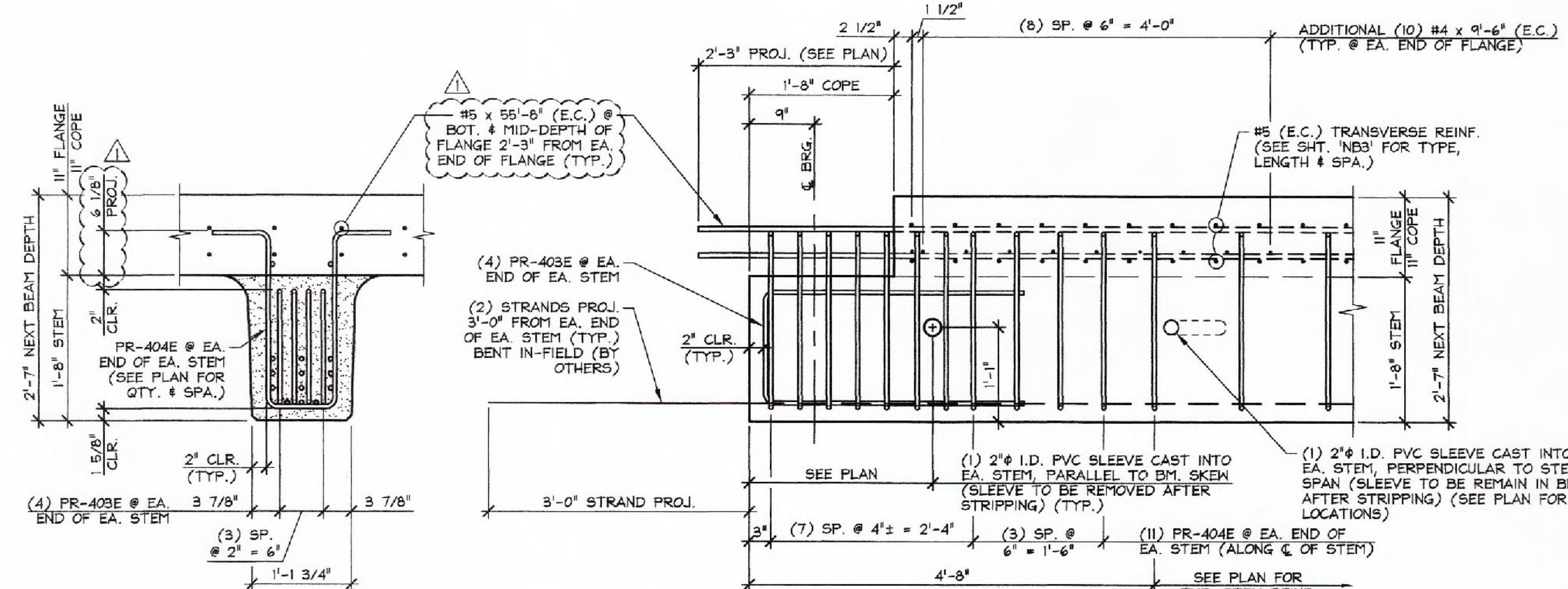
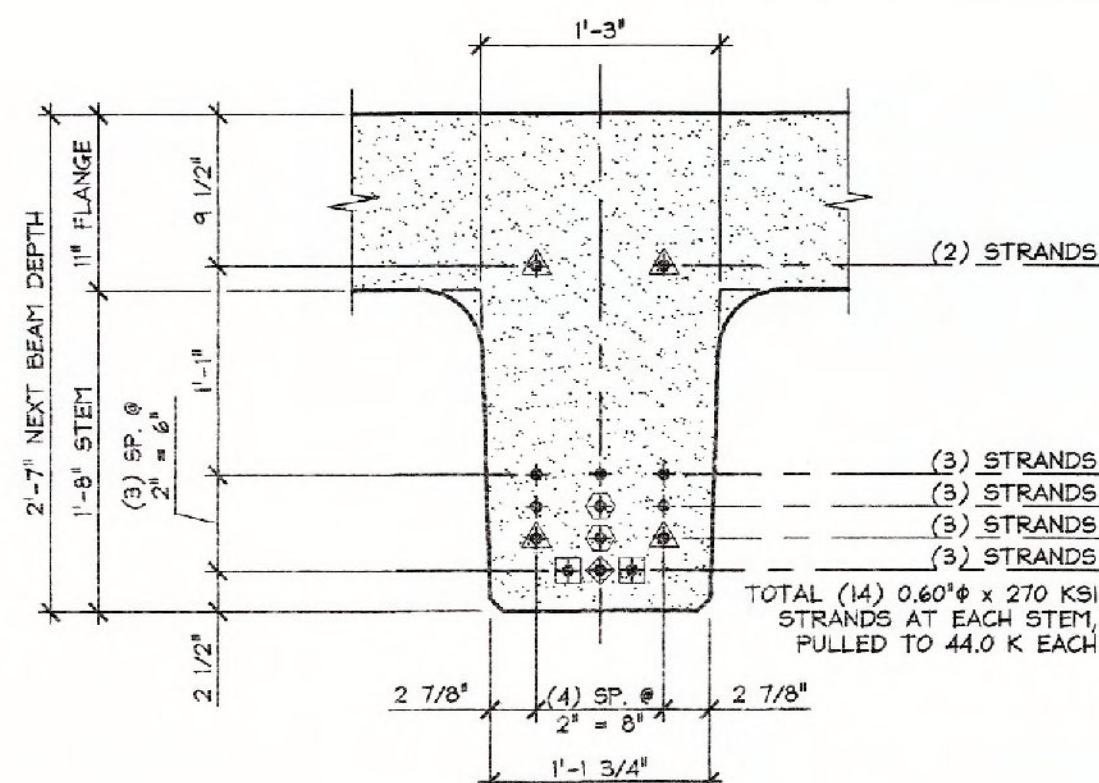


A DIMENSIONAL & REINFORCING SECTION
NBI
3/4" = 1'-0"

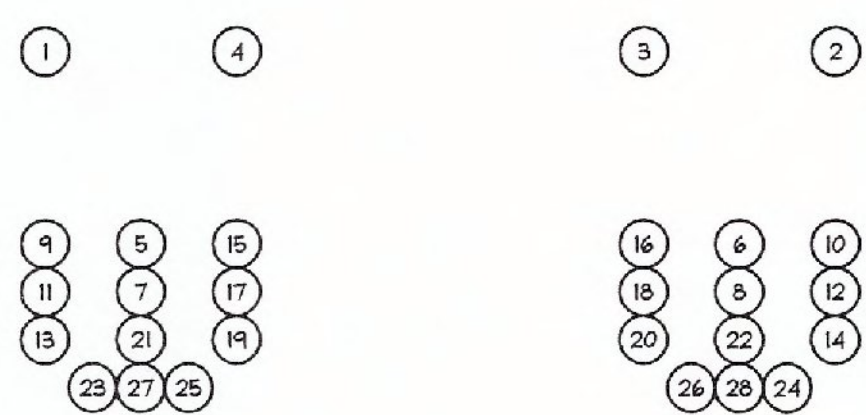


B END BLOCK STEM REINFORCING DETAILS
NBI
3/4" = 1'-0"

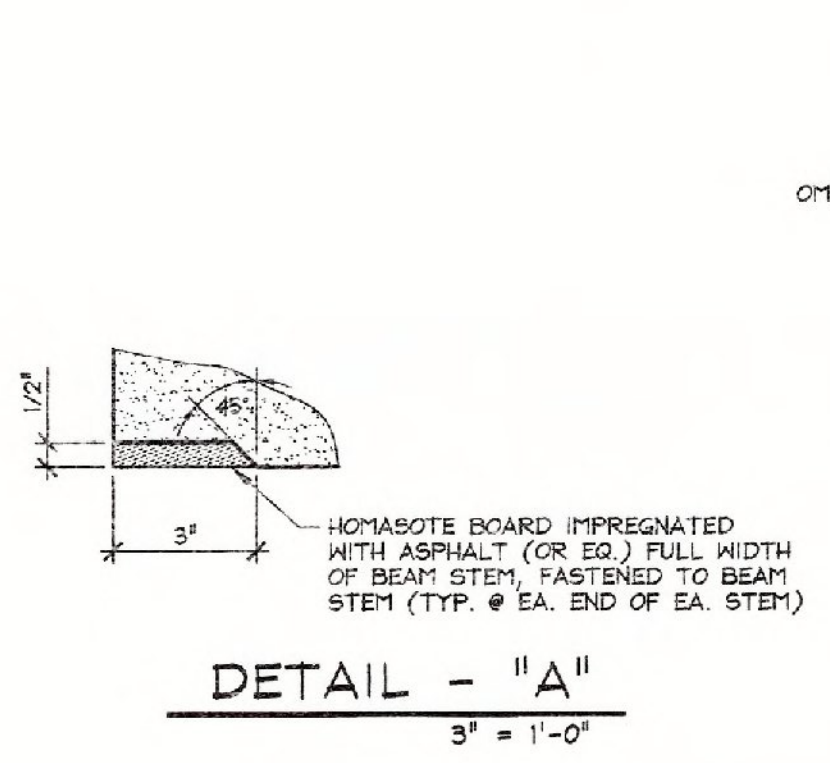


C STEM STRAND PATTERN
NBI
1" = 1'-0"

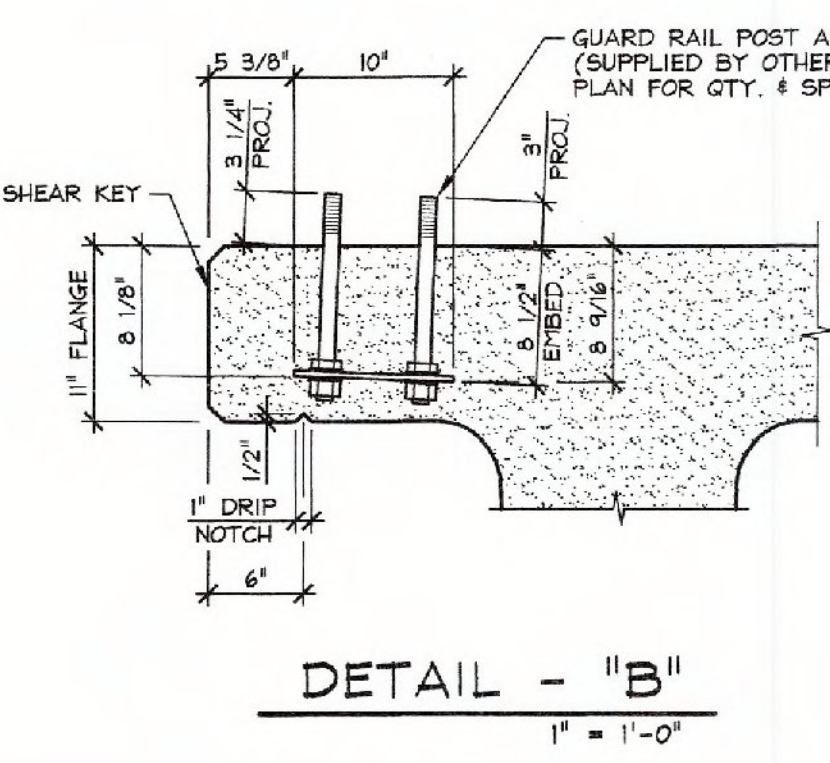
- PRESTRESSING NOTATIONS**
- ◆ DENOTES STRAIGHT STRANDS TO BE CUT FLUSH WITH EA. END OF EA. STEM
 - ⊕ DENOTES STRAIGHT STRANDS TO PROJECT 3'-0" FROM EA. END OF EA. STEM
 - ⊖ DENOTES STRAIGHT STRANDS TO BE DEBONDED 6" FROM EA. END OF EA. STEM
 - ⊗ DENOTES STRAIGHT STRANDS TO BE DEBONDED 4'-0" FROM EA. END OF EA. STEM
 - ⊙ DENOTES STRAIGHT STRANDS TO BE DEBONDED 6'-0" FROM EA. END OF EA. STEM



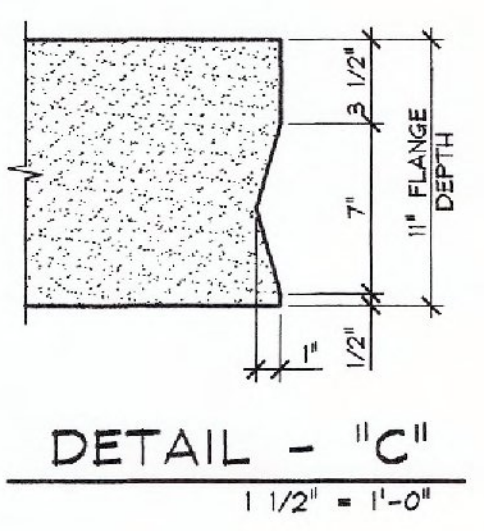
DETENSIONING SCHEDULE
N.T.S.



DETAIL - "A"
3" = 1'-0"



DETAIL - "B"
1" = 1'-0"



DETAIL - "C"
1 1/2" = 1'-0"

Vermont Agency of Transportation
RECEIVED
ON: February 19, 2015
and Checked for
CONFORMANCE
BY: T. A. Sumner DATE: 02/25/15

SHOP DRAWING REVIEW

REVIEWED AS REQUIRED BY THE CONSTRUCTION CONTRACT DOCUMENTS AND APPROVED, BUT ONLY FOR CONFORMANCE TO THE DESIGN CONCEPT OF THE WORK, AND SUBJECT TO FURTHER LIMITATIONS AND REQUIREMENTS CONTAINED IN THE CONSTRUCTION CONTRACT DOCUMENTS.

REJECTED REVISE AND RESUBMIT APPROVED AS NOTED

CONCRETEWORK OR COMMENTS MADE ON THE SHOP DRAWINGS DURING THIS REVIEW DO NOT RELIEVE CONTRACTOR FROM COMPLIANCE WITH REQUIREMENTS OF THE DRAWINGS AND SPECIFICATIONS. THIS CHECK IS ONLY FOR REVIEW OF GENERAL CONFORMANCE WITH THE DESIGN CONCEPT OF THE PROJECT AND GENERAL COMPLIANCE WITH THE INFORMATION GIVEN IN THE CONTRACT DOCUMENTS. THE CONTRACTOR IS RESPONSIBLE FOR CONFIRMING AND CORRELATING ALL QUANTITIES AND DIMENSIONS, SELECTING FABRICATION PROCESSES AND TECHNIQUES OF CONSTRUCTION, COORDINATING THEIR WORK WITH THAT OF ALL OTHER TRADES, AND PERFORMING THEIR WORK IN A SAFE AND SATISFACTORY MANNER.

Reviewed By: **NBC**
Date: **2/20/15**

APPROVAL STAMP:	J.P. CARRARA & SONS INC. Prest & Prestress Manufacturer 2464 GAGE STR., WOODVILLE, VERMONT 05753 Phone: (802) 388-0301 Fax: (802) 388-9010	J.P. SICARD, INC. CONTRACTOR BARTON, VERMONT
	STATE OF VERMONT AGENCY OF TRANSPORTATION COUNTY OF ORANGE	DATE: NOV. 18, 2014 SCALE: NOTED
	TOWN OF RANDOLPH TOWN HIGHWAY 65 (PALMER ROAD) CLASS 3 LOCAL ROAD BRIDGE NO.: 35 PROJECT NO.: BRO 1444(57)	CHKD: B.C. DFTM: B.L. JOB NO: 2344R-014
	PRESTRESSED NEXT BEAM DETAILS	DWG. NO: NBI