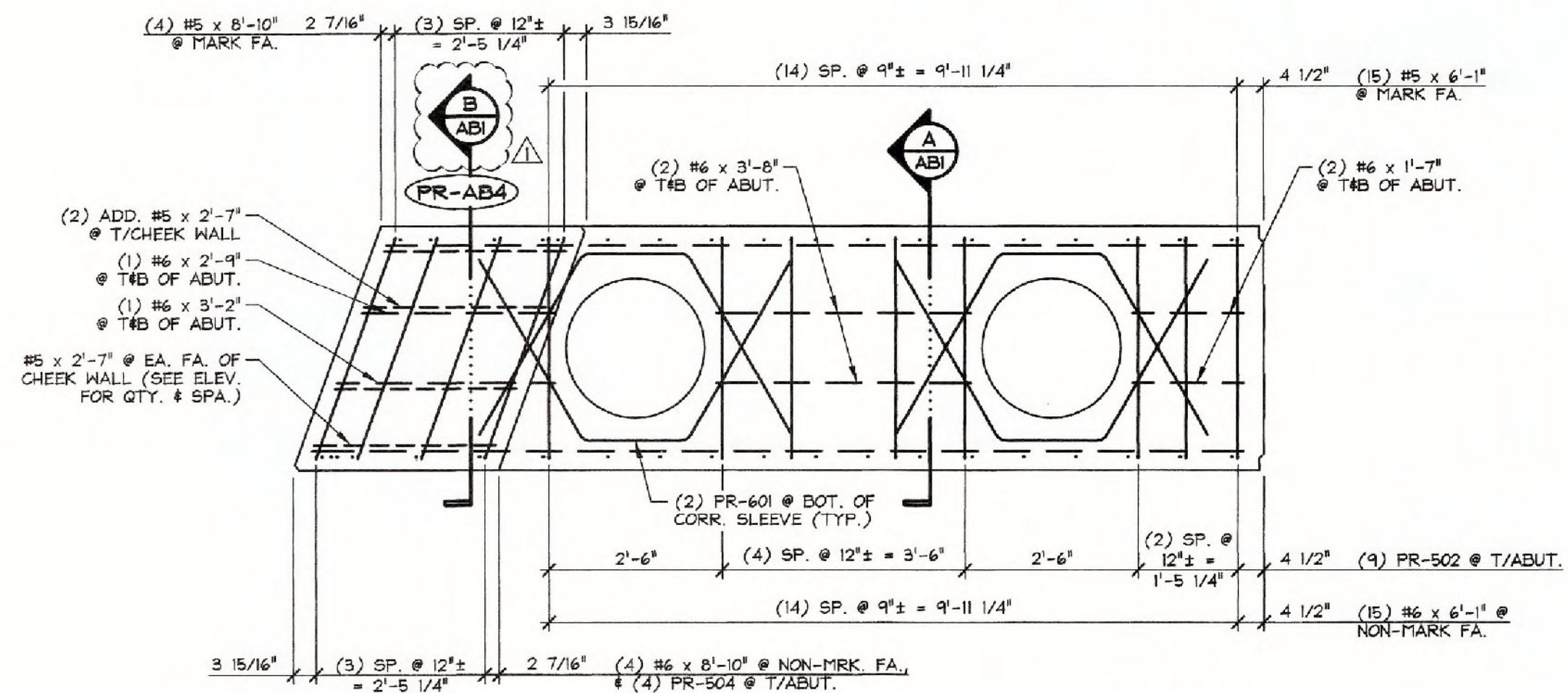
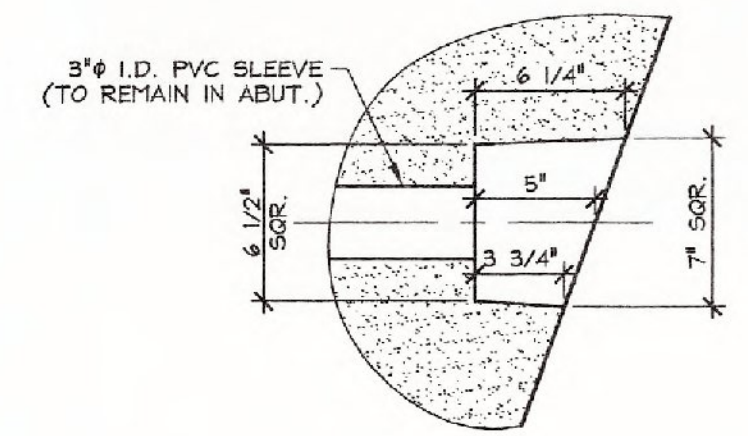


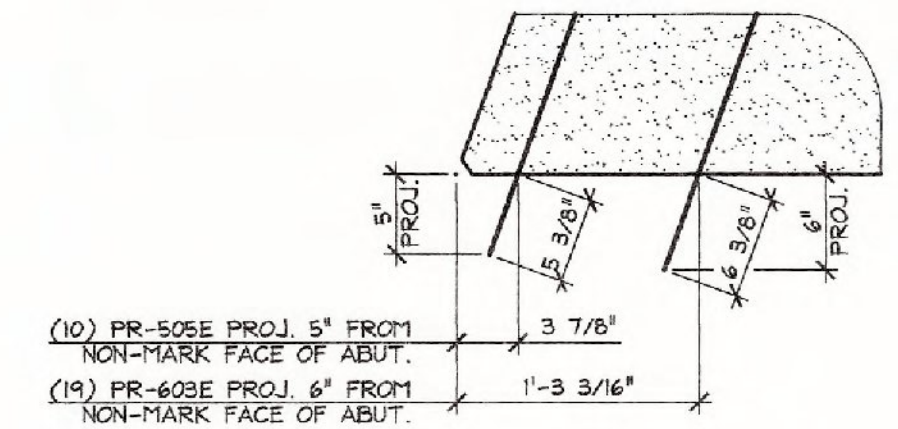
1 PRECAST ABUTMENT PLAN VIEW IN FORM
ABS
1/2" = 1'-0"



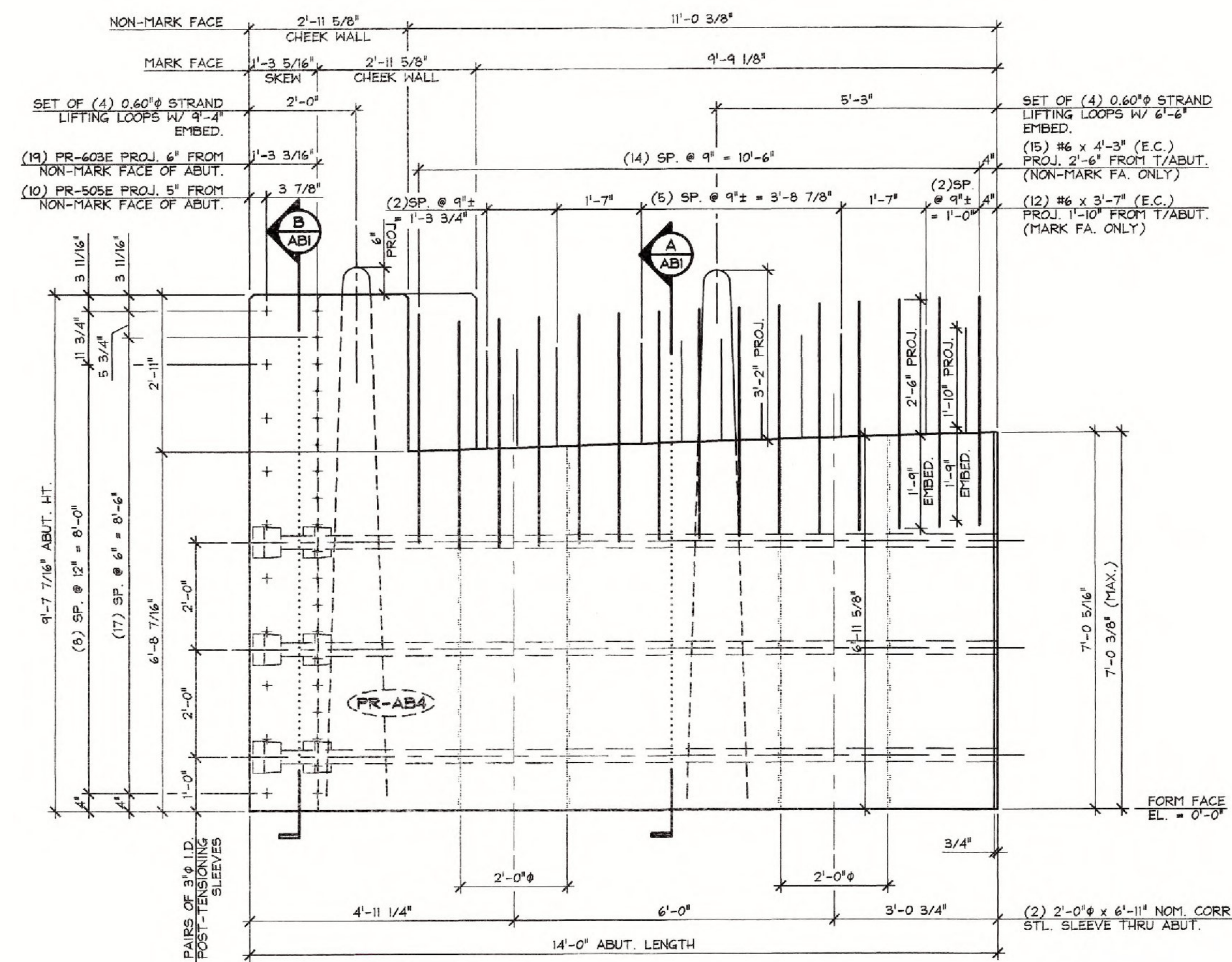
3 REINFORCING PLAN VIEW IN FORM
ABS
1/2" = 1'-0"



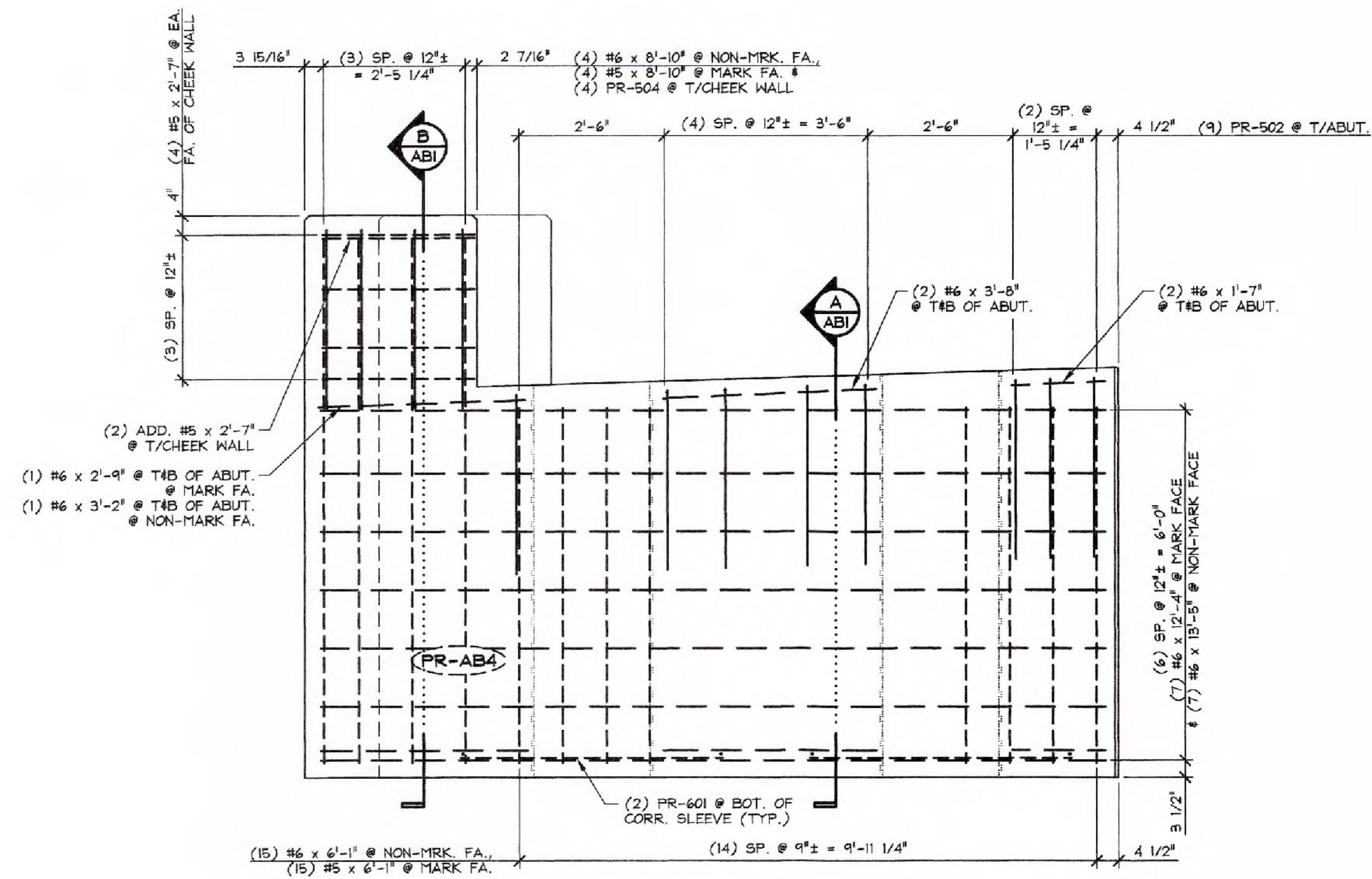
DETAIL - "A"
1 1/2" = 1'-0"



DETAIL - "B"
1" = 1'-0"



2 PRECAST ABUTMENT ELEVATION
ABS NON-MARK FACE
1/2" = 1'-0"



4 REINFORCING ELEVATION
ABS NON-MARK FACE
1/2" = 1'-0"

MARK: PR-AB4 QTY.: 1 WT.: 23.12 T VOL.: 11.42 cy			
MATERIAL LIST / ABUTMENT			
ITEM	MARK	DESCRIPTION	QTY.
1	PR-502	#5 BENT BAR	9
2	PR-504	#5 BENT BAR	4
3	PR-505E	#5 BENT BAR (EPOXY COATED)	10
4		#5 x 2'-7"	8
5		#5 x 6'-1"	15
6		#5 x 8'-10"	4
7			
8	PR-601	#6 BENT BAR	4
9	PR-603E	#6 BENT BAR (EPOXY COATED)	19
10		#6 x 4'-3" (EPOXY COATED)	15
11		#6 x 3'-7" (EPOXY COATED)	12
12		#6 x 6'-1"	15
13		#6 x 12'-4"	7
14		#6 x 13'-5"	7
15		#6 x 1'-7"	4
16		#6 x 3'-8"	4
17		#6 x 2'-9"	2
18		#6 x 3'-2"	2
19		#6 x 8'-10"	4
20			
21		P.V.C. WATERSTOP (SUPPLIED BY OTHERS)	11 LF
22		2'-0" x 6'-11" (NOM.) CORRUGATED STEEL SLEEVE	2
23		SET OF (4) 0.60" STRAND LIFTING LOOPS	2
24			
25			

SHOP DRAWING REVIEW

REVIEWED AS REQUIRED BY THE CONSTRUCTION CONTRACT DOCUMENTS AND APPROVED BY THE CITY FOR CONFORMANCE TO THE DESIGN CONCEPT OF THE WORK, AND IS SUBJECT TO FUTURE MODIFICATIONS AND REQUIREMENTS OUTLINED IN THE CONSTRUCTION CONTRACT DOCUMENTS.

REJECTED REVISE AND RESUBMIT APPROVED AS NOTED

CONTRACTOR'S COMMENTS OR COMMENTS MADE ON THE SHOP DRAWINGS DURING THIS REVIEW DID NOT RELIEVE CONTRACTOR FROM COMPLIANCE WITH REQUIREMENTS OF THE DRAWINGS AND SPECIFICATIONS. THIS CHECK IS ONLY FOR REVIEW OF GENERAL CONFORMANCE WITH THE DESIGN CONCEPT OF THE PROJECT AND GENERAL COMPLIANCE WITH THE INFORMATION GIVEN IN THE CONTRACT DOCUMENTS. THE CONTRACTOR IS RESPONSIBLE FOR CORRECTING AND CORRELATING ALL QUANTITIES AND PRICES WITH SELECTING FACTORING PROCESS AND TECHNIQUES OF CONSTRUCTION WORKING WITH THEIR WORK WITH THAT OF ALL OTHER TRADES; AND PERFORMING THEIR WORK IN A SAFE AND SATISFACTORY MANNER.

CLD CONSULTING ENGINEERS, INC.
142 Commercial Street
Dorset, VT 05433
802-453-1823

Job Number: 12-0175
Reviewed By: NDC
Date: 2/20/15

4 REINFORCING ELEVATION NON-MARK FACE
ABS
1/2" = 1'-0"

Vermont Agency of Transportation

RECEIVED

ON: February 19, 2015
and Checked for
CONFORMANCE

BY: T. A. Sumner DATE: 02/25/15

2-12-15 REVISED PER VT AOT COMMENTS

APPROVAL STAMP:

J.P. CARRARA & SONS INC.
Precast & Prestress Manufacturer
2404 OASE STR., MIDDLEBURY, VERMONT 05753 Phone: (802)388-6361 Fax: (802)388-6010

J.P. SICARD, INC.
CONTRACTOR
BARTON, VERMONT

STATE OF VERMONT AGENCY OF TRANSPORTATION
COUNTY OF ORANGE

DATE: NOV. 18, 2014

SCALE: NOTED

TOWN OF RANDOLPH
TOWN HIGHWAY 65 (PALMER ROAD) CLASS 3 LOCAL ROAD
BRIDGE NO.: 95 PROJECT NO.: BRO 1444(57)

CHKD: B.C. DFTM: B.L.

JOB NO: 23449-014

PRECAST ABUTMENT DETAILS

DWG. NO: AB5