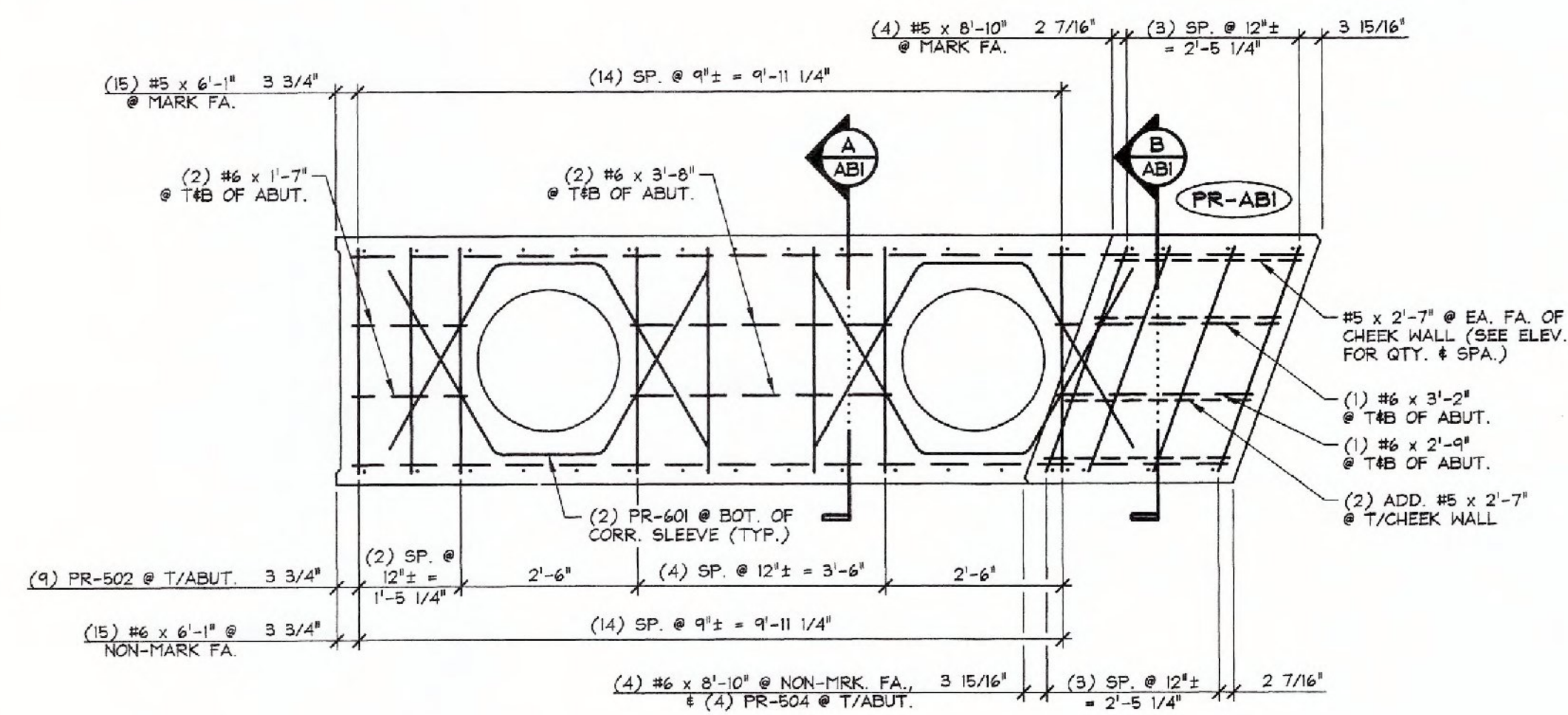
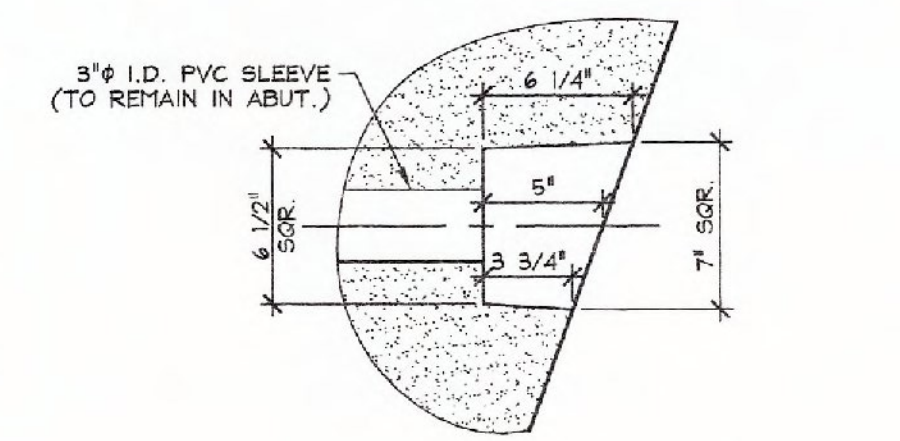


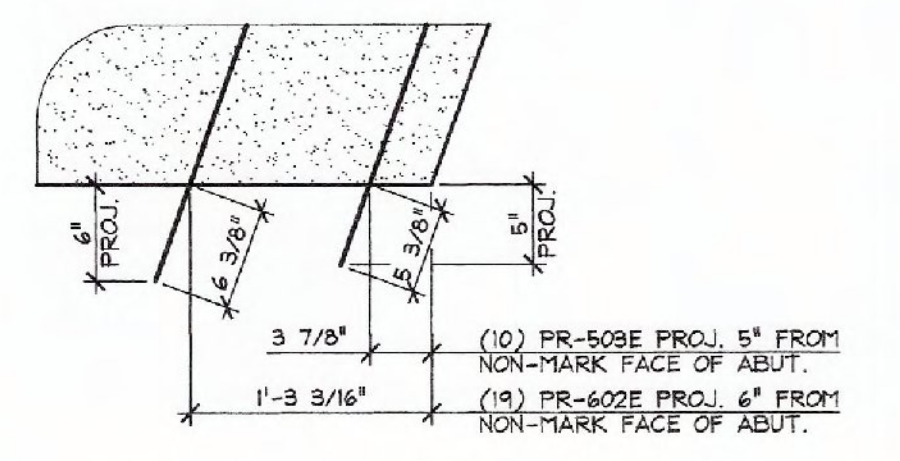
1 PRECAST ABUTMENT PLAN VIEW IN FORM
AB2 1/2" = 1'-0"



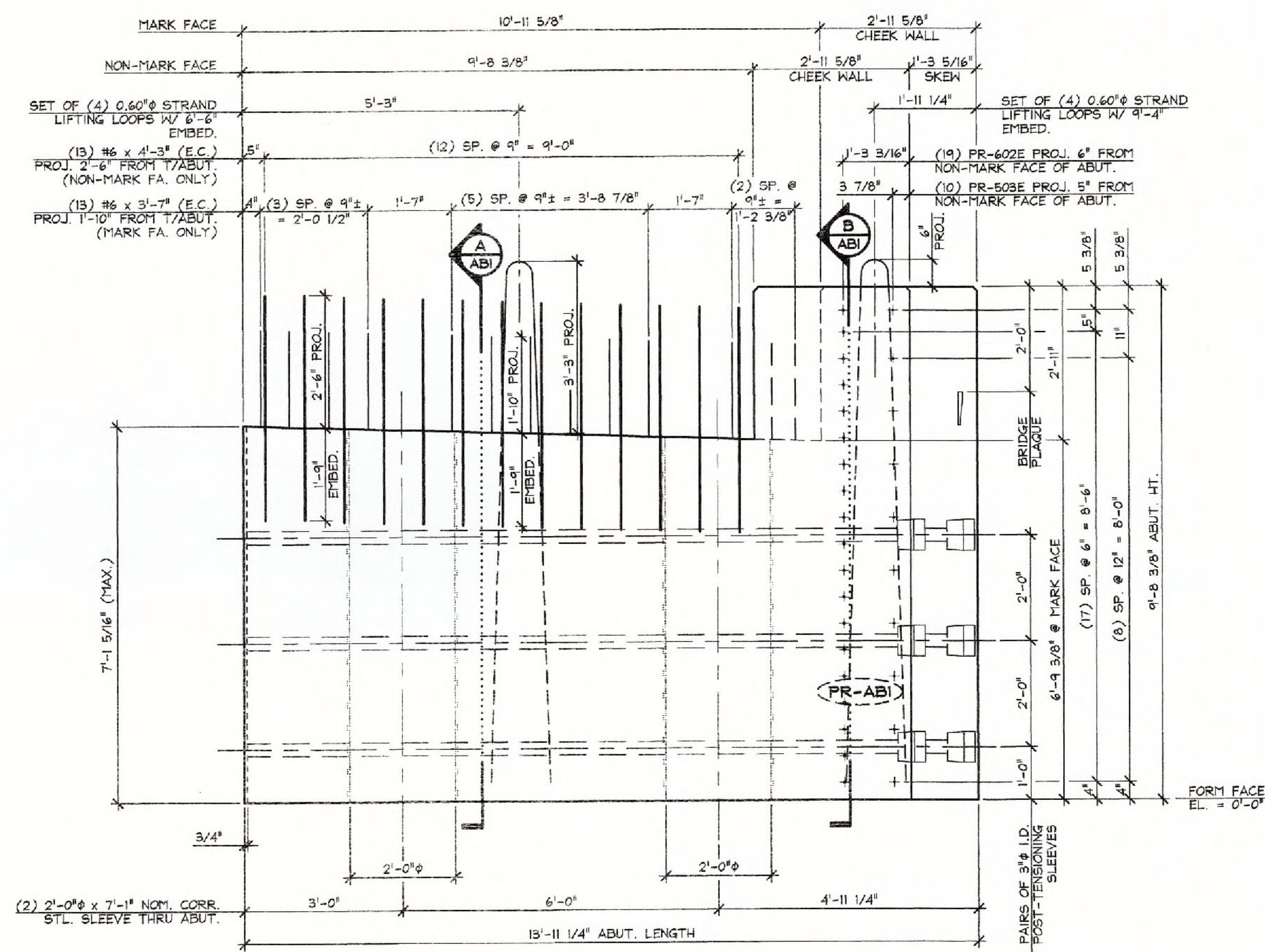
3 REINFORCING PLAN VIEW IN FORM
AB2 1/2" = 1'-0"



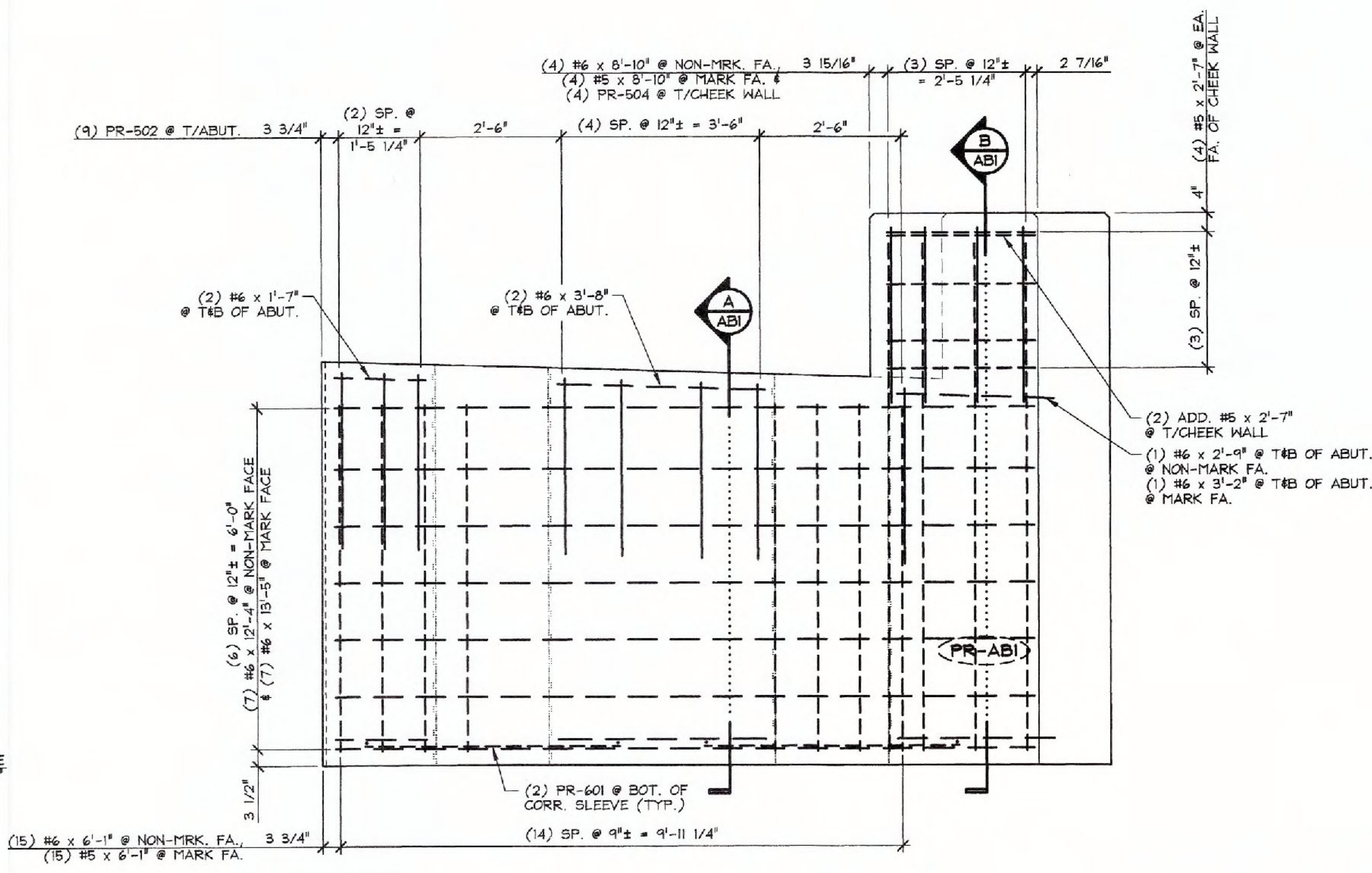
DETAIL - "A"
1 1/2" = 1'-0"



DETAIL - "B"
1" = 1'-0"



2 PRECAST ABUTMENT ELEVATION
AB2 NON-MARK FACE 1/2" = 1'-0"



4 REINFORCING ELEVATION
AB2 NON-MARK FACE 1/2" = 1'-0"

MATERIAL LIST / ABUTMENT			
ITEM	MARK	DESCRIPTION	QTY.
1	PR-502	#5 BENT BAR	9
2	PR-503E	#5 BENT BAR (EPOXY COATED)	10
3	PR-504	#5 BENT BAR	4
4		#5 x 2'-7" @ T/CHEEK WALL	10
5		#5 x 6'-1" @ NON-MARK FA.	15
6		#5 x 8'-10" @ MARK FA.	4
7			
8	PR-601	#6 BENT BAR	4
9	PR-602E	#6 BENT BAR (EPOXY COATED)	19
10		#6 x 4'-3" (EPOXY COATED)	13
11		#6 x 3'-7" (EPOXY COATED)	13
12		#6 x 6'-1" @ NON-MARK FA.	15
13		#6 x 12'-4" @ MARK FA.	7
14		#6 x 13'-5" @ MARK FA.	7
15		#6 x 1'-7" @ T/CHEEK WALL	4
16		#6 x 3'-8" @ T/CHEEK WALL	4
17		#6 x 2'-9" @ T/CHEEK WALL	2
18		#6 x 3'-2" @ T/CHEEK WALL	2
19		#6 x 8'-10" @ T/CHEEK WALL	4
20			
21		P.V.C. WATERSTOP (SUPPLIED BY OTHERS)	9.67 LF
22		BRIDGE PLAQUE (SUPPLIED BY OTHERS)	1
23		2'-0" x 7'-1" (NOM.) CORRUGATED STEEL SLEEVE	2
24		SET OF (4) 0.60" STRAND LIFTING LOOPS	2
25			

SHOP DRAWING REVIEW

REVIEWED AS REQUIRED BY THE CONSTRUCTION CONTRACT DOCUMENTS AND APPROVED, BUT ONLY FOR CONFORMANCE TO THE DESIGN CONCEPT OF THE WORK AND SUBJECT TO FURTHER CLARIFICATIONS AND REQUIREMENTS CONTAINED IN THE CONSTRUCTION CONTRACT DOCUMENTS.

REJECTED REVISE AND RESUBMIT APPROVED AS NOTED

CORRECTIONS OR COMMENTS MADE ON THE SHOP DRAWINGS DURING THIS REVIEW DID NOT RELIEVE CONTRACTOR FROM COMPLIANCE WITH REQUIREMENTS OF THE DRAWINGS AND SPECIFICATIONS. THIS CHECK IS ONLY FOR REVIEW OF GENERAL CONFORMANCE WITH THE DESIGN CONCEPT OF THE PROJECT AND GENERAL COMPLIANCE WITH THE INFORMATION GIVEN IN THE CONTRACT DOCUMENTS. THE CONTRACTOR IS RESPONSIBLE FOR CONFIRMING AND CORRELATING ALL QUANTITIES AND DIMENSIONS; SELECTING FABRICATION PROCESSES AND TECHNIQUES OF CONSTRUCTION; COORDINATING THEIR WORK WITH THAT OF ALL OTHER TRADES; AND PERFORMING THEIR WORK IN A SAFE AND SATISFACTORY MANNER.

CLD CONSULTING ENGINEERS, INC.
140 Commercial Street
Randolph, VT 05470
954-633-9293

Job Number: 12-0175
Reviewed By: NDC
Date: 2/20/15

Vermont Agency of Transportation

RECEIVED

ON: February 19, 2015

and Checked for

CONFORMANCE

BY: T. A. Sumner DATE: 02/25/15

APPROVAL STAMP:

J.P. CARRARA & SONS INC.
Precast & Prestress Manufacturer
2684 ONE STR., MIDDLEBURY, VERMONT 05753 Phone: (802) 388-6361 Fax: (802) 388-8010

J.P. SICARD, INC.
CONTRACTOR
BARTON, VERMONT

STATE OF VERMONT AGENCY OF TRANSPORTATION
COUNTY OF ORANGE

TOWN OF RANDOLPH
65 (PALMER ROAD) CLASS 3 LOCAL ROAD
BRIDGE NO.: 95 PROJECT NO.: BRO 1444(57)

DATE: NOV. 18, 2014
SCALE: NOTED
CHKD: B.C. DFTM: B.L.
JOB NO: 23449-014
DWG. NO: AB2

PRECAST ABUTMENT DETAILS