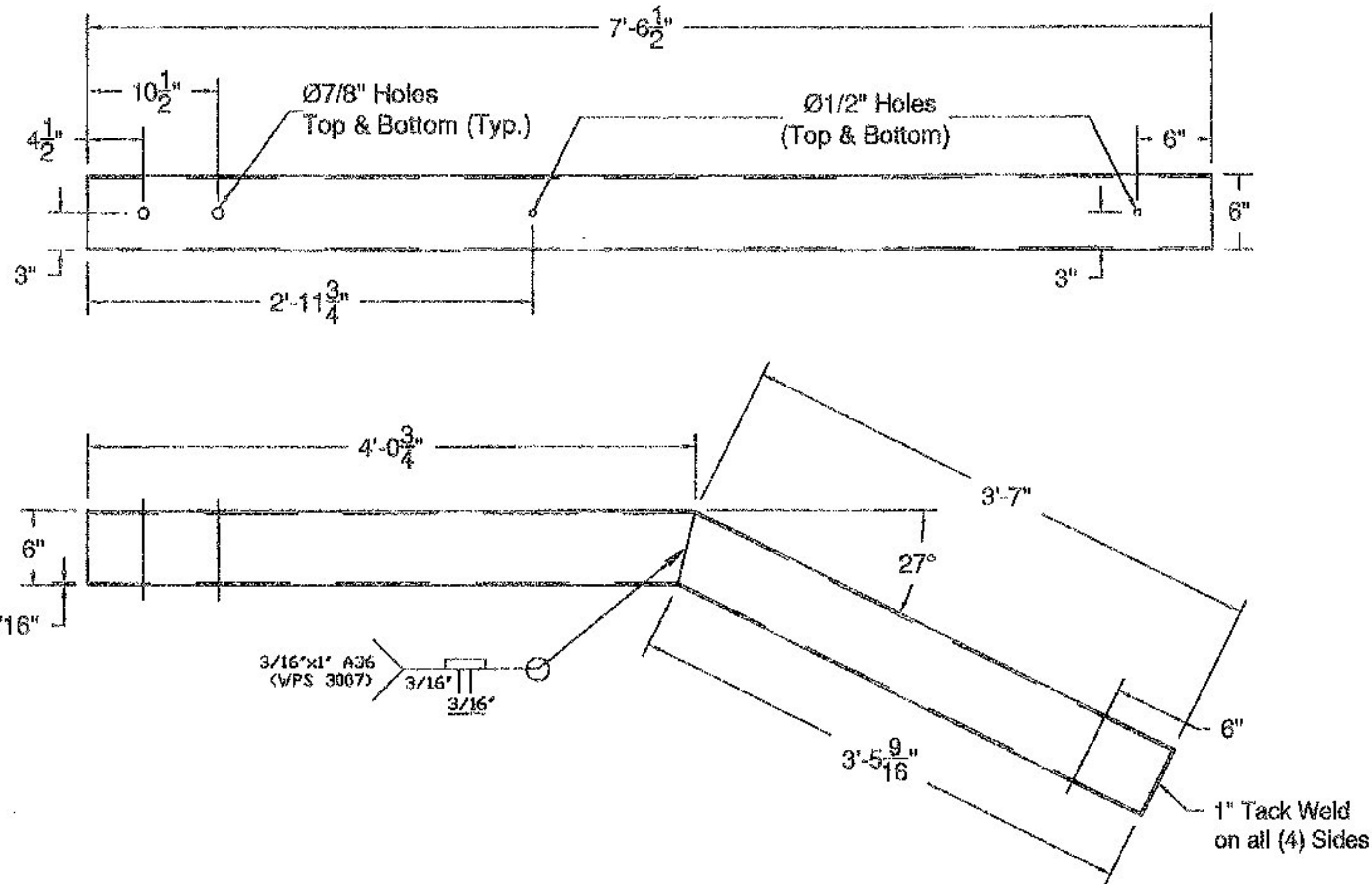


6"x6"x3/16" Tube Prior to Miter Cut (Miter @ 13.5 Degrees)



VADT - Typical End Section (G1-b)

QTY.	PART #	DESCRIPTION	MATERIAL (ASTM)
1		6" x 6" x 3/16" TUBE @ 7'-6-1/2"	A500 Gr. B
2	0053.99001	3/16" x 1" x 5 1/8" BACKER	A36
2	0053.99002	3/16" x 1" x 5 1/8" BACKER, W/ 21° BEND	A36
1	0053.00061	6" x 6" END CAP W/ CUT CORNERS	A36/A709 CVN

MATERIAL: PER COMPONENT LIST
 GALVANIZE: ASTM A123
 WEIGHT (BLACK): 112 Lbs.

ELDERLEE, INC.
 OAKS CORNERS, NEW YORK 14518
 E-Mail: dlong@elderlee.com
 Tel: 315-789-6670 Fax: 315-789-6615

R	NO.	DATE	DESCRIPTION	BY	R	NO.	DATE	DESCRIPTION	BY
E					E				
V					V				

STRUCTURAL STEEL TO COMPLY
 W/ ASTM A6
 TOLERANCE UNLESS OTHERWISE NOTED:
 FRACTIONS = ± 1/16"
 ANGLES = ± 1/2°



DRAWN	D.L.	07/24/14
CHECKED	E.P.	07/24/14
APPROVED		
Typical 6"x6"x3/16" End Section (Vermont)		
DRAWING NO. 0054.01001		

