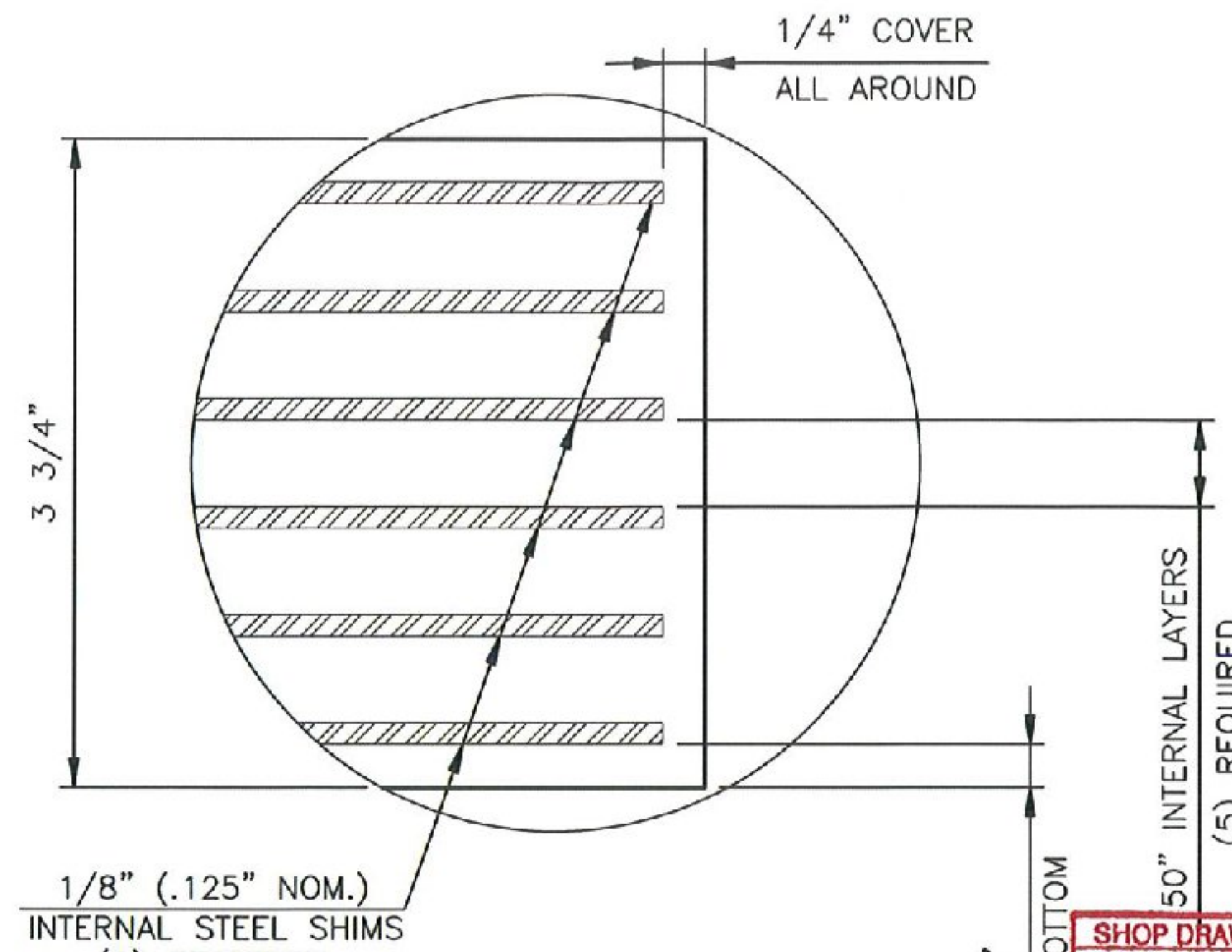


**PLAN VIEW**



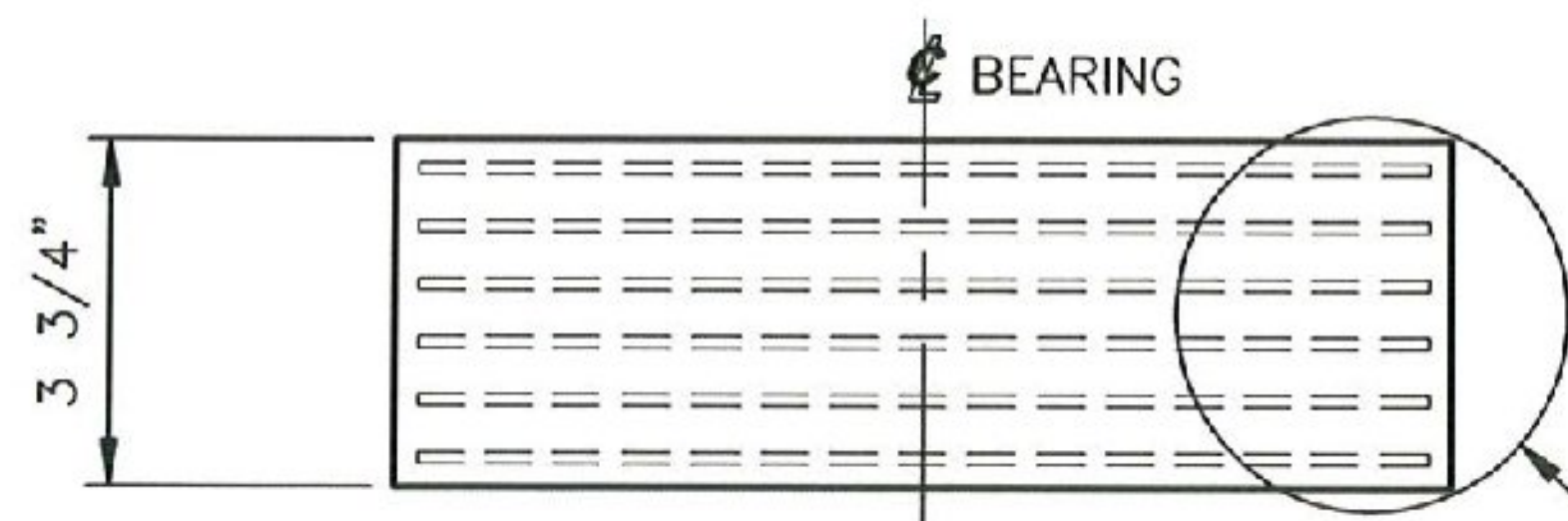
**DETAIL 1**  
 LAMINATED BEARING PAD  
 3 3/4" X 11 1/2" X 11 1/2"  
 60 DUROMETER GRADE 4 NATURAL RUBBER  
 WITH A SHEAR MODULUS OF 130 PSI TO 200 PSI  $\Delta$   
 (8) REQUIRED FOR STRUCTURE

**TEST PAD**  
 LAMINATED BEARING PAD  
 3 3/4" X 11 1/2" X 11 1/2"  
 60 DUROMETER GRADE 4 NATURAL RUBBER  
 WITH A SHEAR MODULUS OF 130 PSI TO 200 PSI  $\Delta$   
 (2) REQUIRED FOR TESTING

**MAX. DESIGN SERVICE LOADS**

DEAD LOAD = 30.5 kips  
 LIVE LOAD = 30.4 kips

$\Delta$  **CONTRACTOR NOTE:**  
 GALVANIZED STEEL SHIMS ARE SUPPLIED  
 BY OTHERS, NOT COSMEC, INC.



**ELEVATION VIEW**

**LAMINATED ELASTOMERIC BEARING PAD**

**MARK: LEP1**

- (4) LOCATED AT ABUT. 1
- (4) LOCATED AT ABUT. 2
- (8) TOTAL REQUIRED FOR STRUCTURE

**SHOP NOTES:**

1. ALL BEARINGS SHALL CONFORM TO APPLICABLE SUBSECTIONS OF SECTIONS 531 AND 731 OF THE 2011 VTAOT STANDARD SPECIFICATIONS AND SPECIAL PROVISIONS.
2. MATERIAL:  
 ELASTOMER: 60 DUROMETER GRADE 4 NATURAL RUBBER. WITH A SHEAR MODULUS OF 130 PSI - 200 PSI  $\Delta$   
 STEEL LAMINAE: ASTM A709 GR.36, A1011 GRADE 36 OR EQUAL.
3. ALL BEARINGS SHALL BE MARKED PRIOR TO SHIPPING. ALL MARKS SHALL BE PERMANENT AND BE VISIBLE AFTER ERECTION.
4. ALL DIMENSIONS ARE IN INCHES.
5. COSMEC REPRESENTATIVE KERRY MARCHAND: (508) 455-3290
6. VT.A.O.T. WILL BE NOTIFIED (7) DAYS BEFORE THE START OF FABRICATION.

**SHOP DRAWING REVIEW**  
 REVIEW IS ONLY FOR GENERAL CONFORMANCE WITH DESIGN CONCEPT

- PROVIDE AS SUBMITTED
- PROVIDE AS CORRECTED
- REVISE AND RESUBMIT
- REJECTED - SEE REMARKS
- SUBMITTAL NOT REQUIRED - RETURNED WITHOUT REVIEW

THIS REVIEW IS ONLY FOR GENERAL CONFORMANCE WITH THE DESIGN CONCEPT OF THE PROJECT AND GENERAL COMPLIANCE WITH THE INFORMATION GIVEN IN THE CONTRACT DOCUMENTS. ANY ACTION, CORRECTIONS OR COMMENTS SHOWN AND/OR NOTED ARE SUBJECT TO THE REQUIREMENTS OF THE CONTRACT DOCUMENTS. CONTRACTOR IS RESPONSIBLE FOR: DETERMINING THE ACCURACY AND COMPLETENESS OF DETAILS, SUCH AS DIMENSIONS AND QUANTITIES; SUBSTANTIATING INSTRUCTIONS FOR INSTALLATION OR PERFORMANCE OF EQUIPMENT OR SYSTEMS; THE MEANS, METHODS, TECHNIQUES, SEQUENCES AND PROCEDURES OF CONSTRUCTION, INCLUDING SAFETY PRECAUTIONS AND PROCEDURES; AND THE SELECTION OF FABRICATION PROCESSES. ENGINEER'S APPROVAL OF A SPECIFIC ITEM SHALL NOT INDICATE APPROVAL OF AN ASSEMBLY OF WHICH THE ITEM IS A COMPONENT. FURTHER, ENGINEER'S REVIEW OF CONTRACTOR'S SUBMITTALS SHALL NOT RELIEVE THE CONTRACTOR OF ITS OBLIGATIONS UNDER THE CONTRACT DOCUMENTS WITH RESPECT TO THE PREPARATION AND/OR APPROVAL OF SUCH SUBMITTALS

CLD CONSULTING ENGINEERS, INC.  
 540 COMMERCIAL ST.  
 MANCHESTER, NEW HAMPSHIRE 03101

BY: *NDC* DATE: *1/20/15*

Vermont Agency of Transportation  
**RECEIVED**  
 CK'D BY MJC OK'D BY TAS  
 January 16, 2015  
 RESUBMIT No Approved  
 BY M. J. Chenette DATE 1/21/15

STATE OF VERMONT  
 AGENCY OF TRANSPORTATION  
 BRIDGE NO.35  
 TOWN HIGHWAY 65 (PALMER ROAD)  
 CLASS 3 LOCAL ROAD  
 ITEM NO. 531.17  
 TOWN OF RANDOLPH

STATE	COUNTY	CONTROL NO.
VT	ORANGE	N/A

PROJ. NO.: BRO 1444(57)

**DYNAMIC RUBBER:  
 LAMINATED BEARING PADS**

**Cosmec** 1501 ROCKY RIDGE ROAD  
 P.O. BOX 2159  
 ATHENS, TEXAS 75751

SCALE: NONE	DRAWN BY: RP	CHECKED BY: ELS
	DATE: 12/9/14	DATE: 12/16/14

SHEET 1 OF 1 **JOB NO.: 12849**

REV.	DESCRIPTION	BY	DATE	CK'D	DATE	CUSTOMER: J.P. SICARD, INC.	DRAWING NUMBER REV. 12849-D1 1