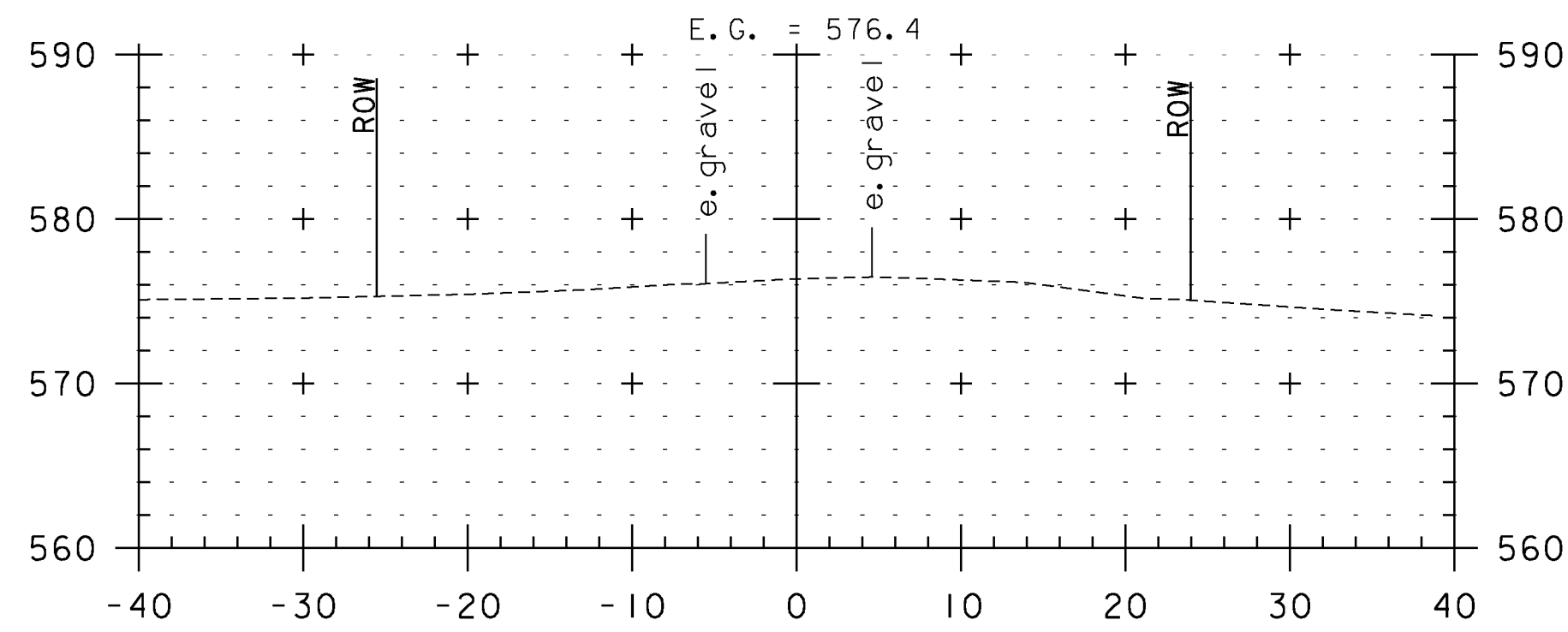
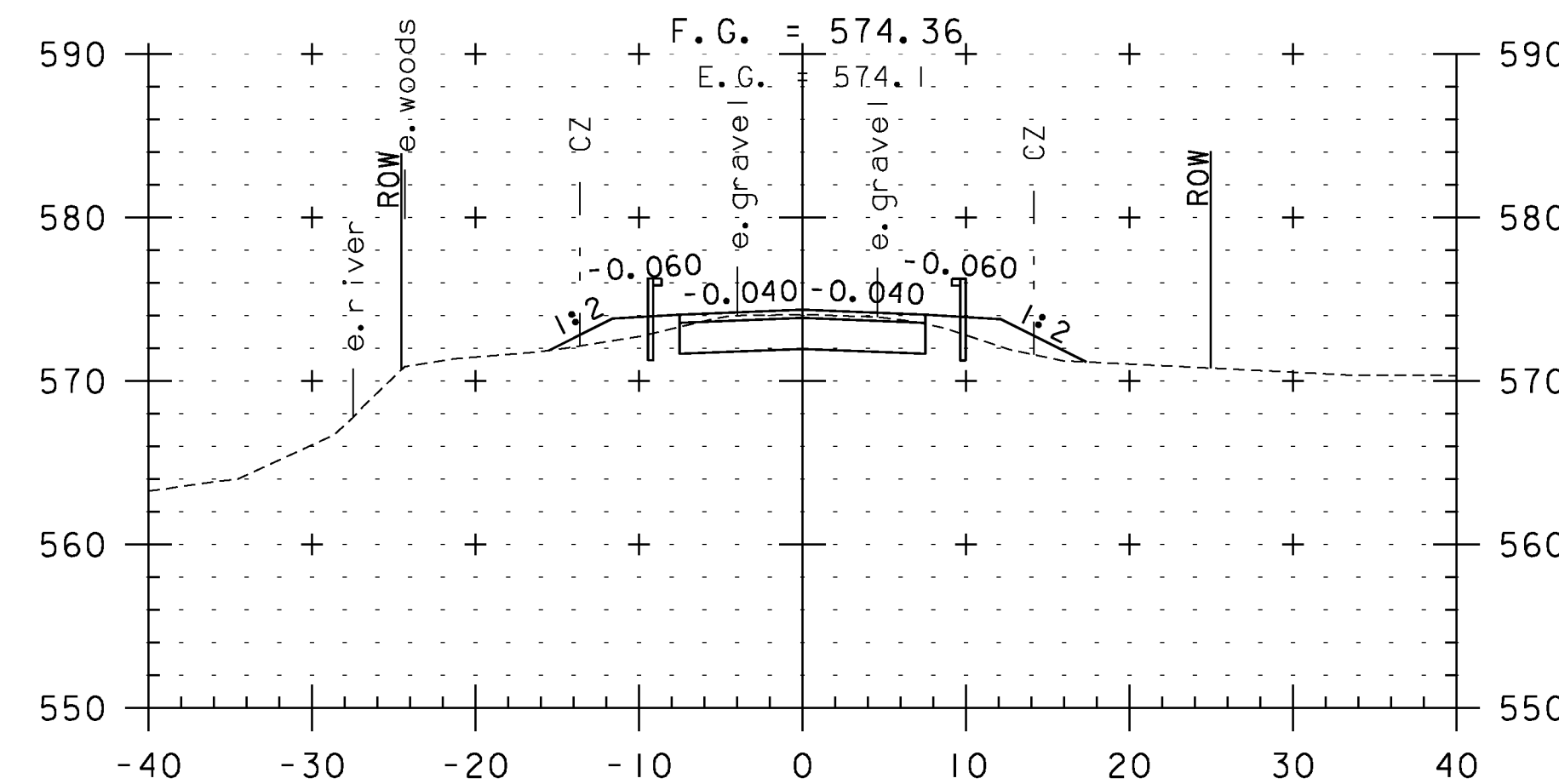


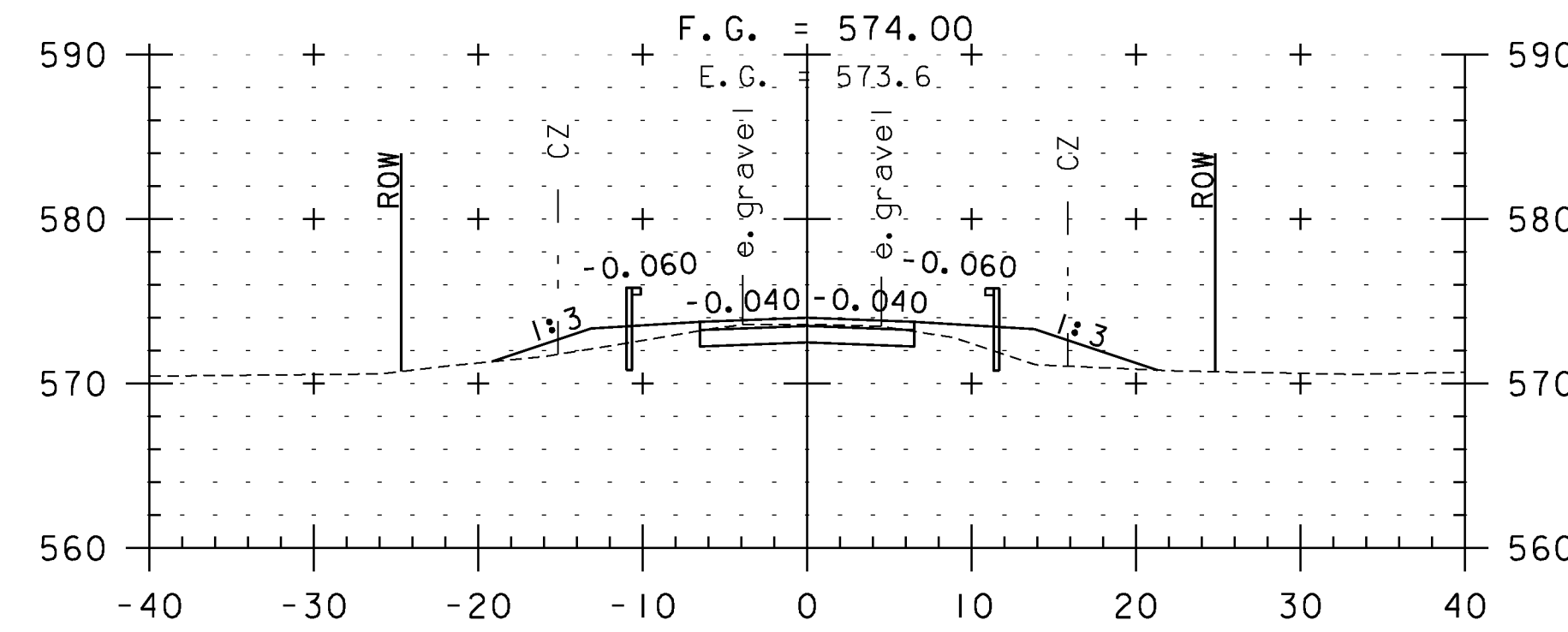
99+00
BEGIN PROJECT



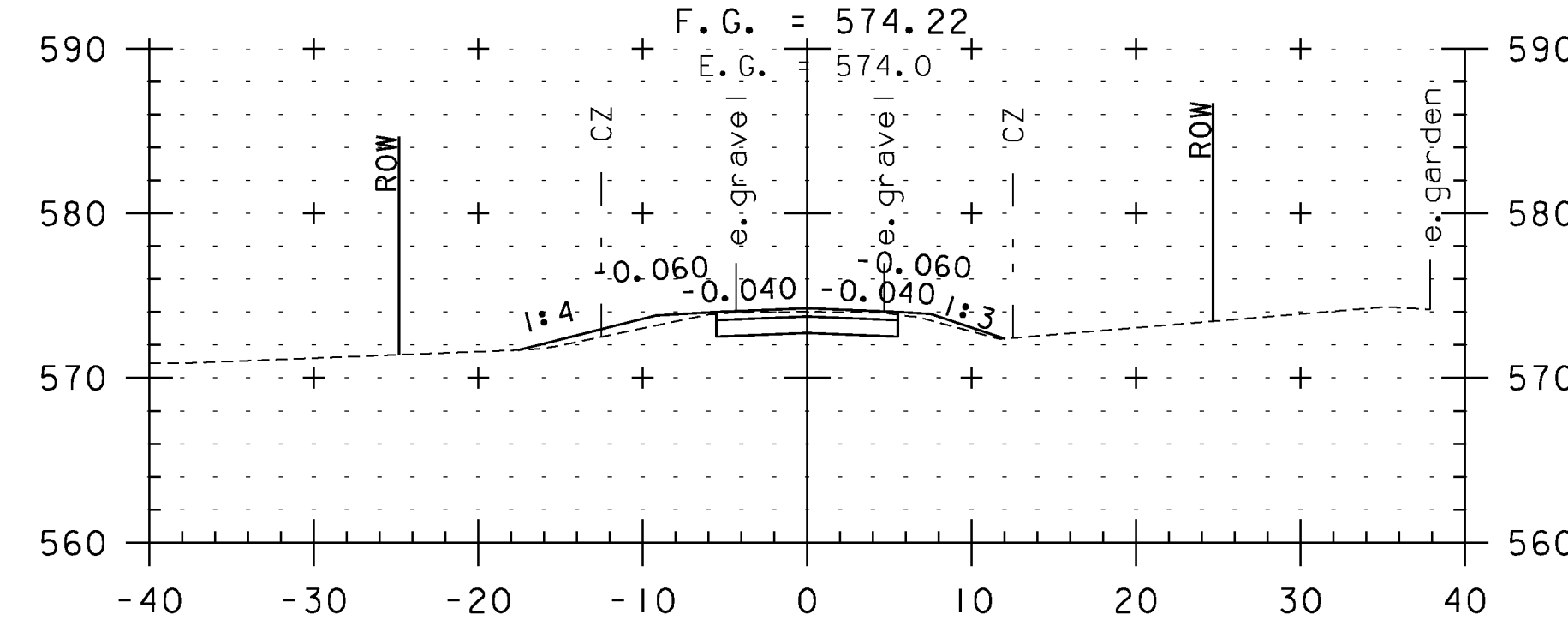
98+75



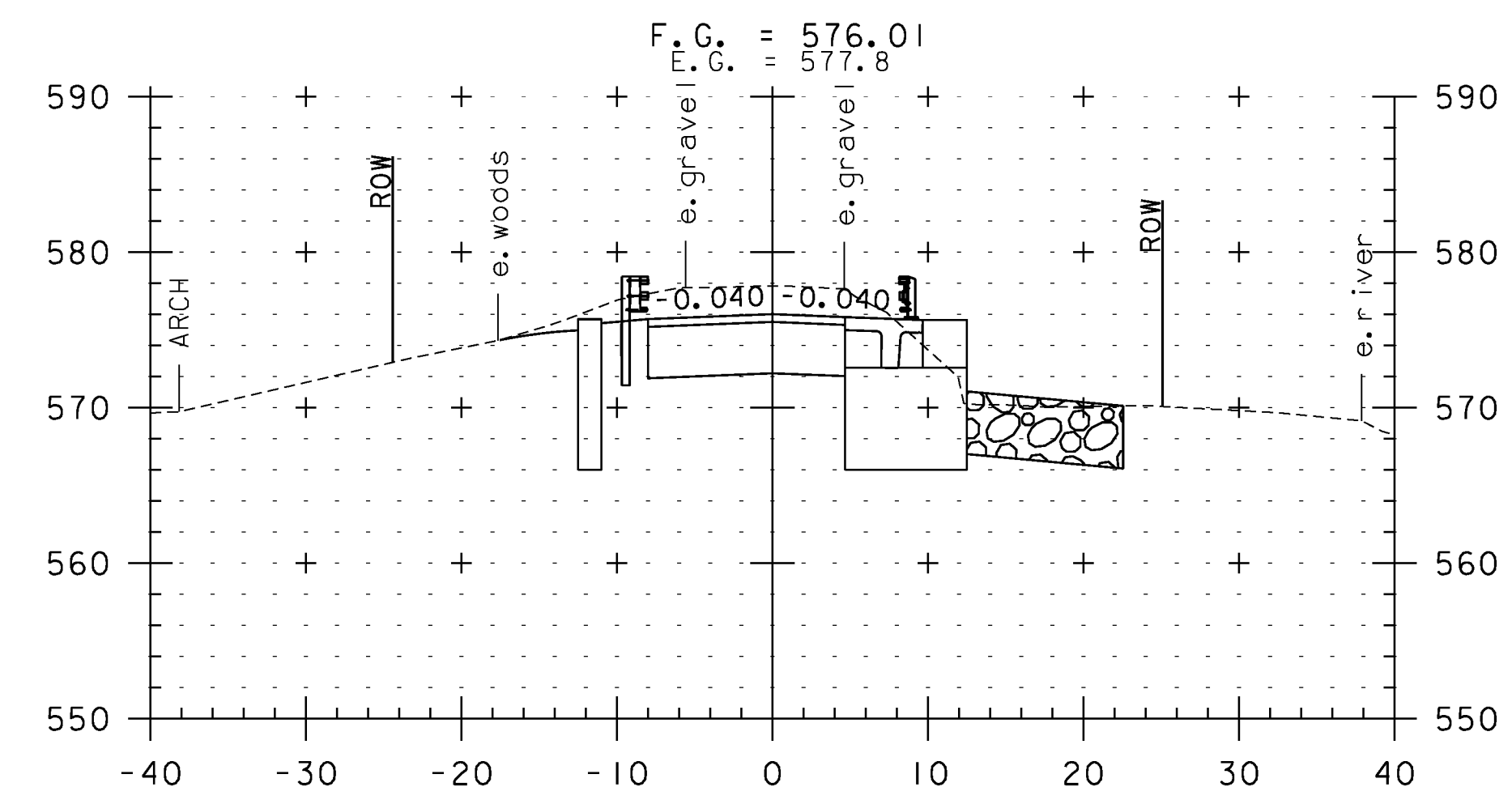
99+75



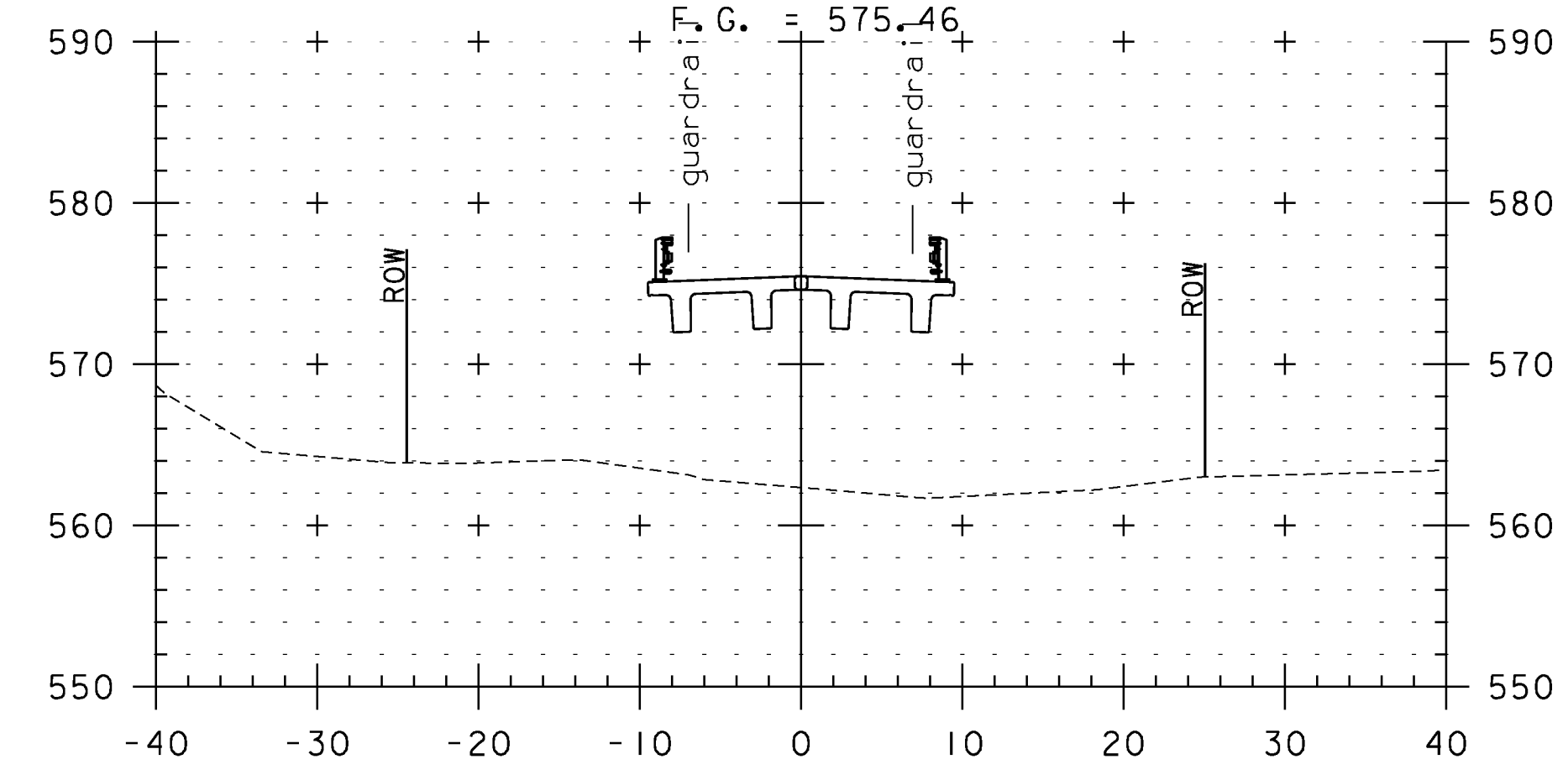
99+50



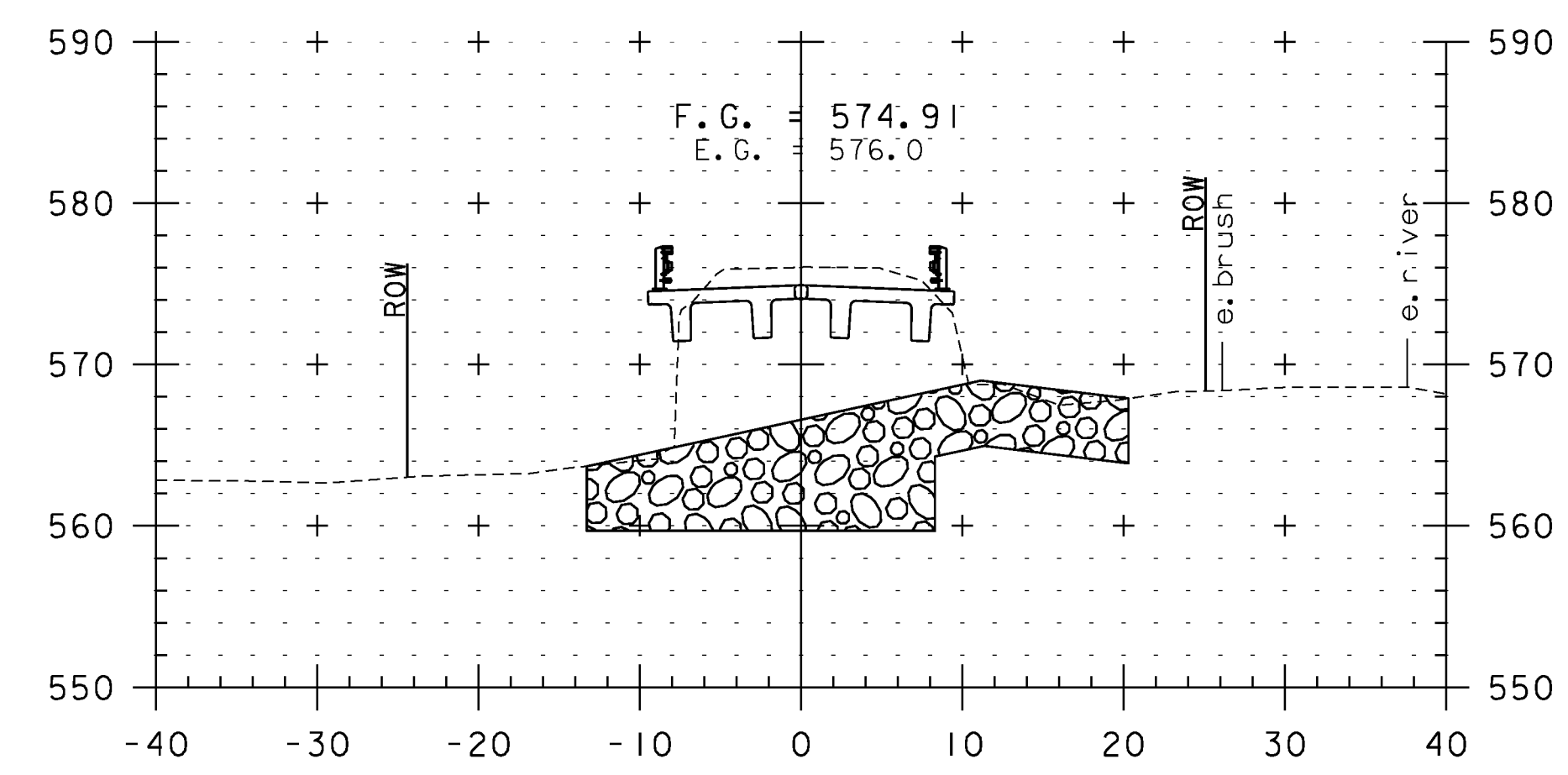
99+25



100+50
END BRIDGE STA. 100+47.86



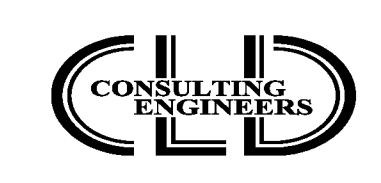
100+25



100+00
BEGIN BRIDGE STA. 99+91.14

STA. 98+75 TO STA. 100+50

CLD 12-0175 MODEL: X501



PROJECT NAME: RANDOLPH	PROJECT NUMBER: BRO 1444(57)
FILE NAME: z11j078xsl.dgn	PROJECT LEADER: J. BYATT
DESIGNED BY: J. SMITH	DRAWN BY: J. SMITH
ROADWAY CROSS SECTIONS I	CHECKED BY: D. MUNRO
	PLOT DATE: 8/12/2014
	SHEET 29 OF 39