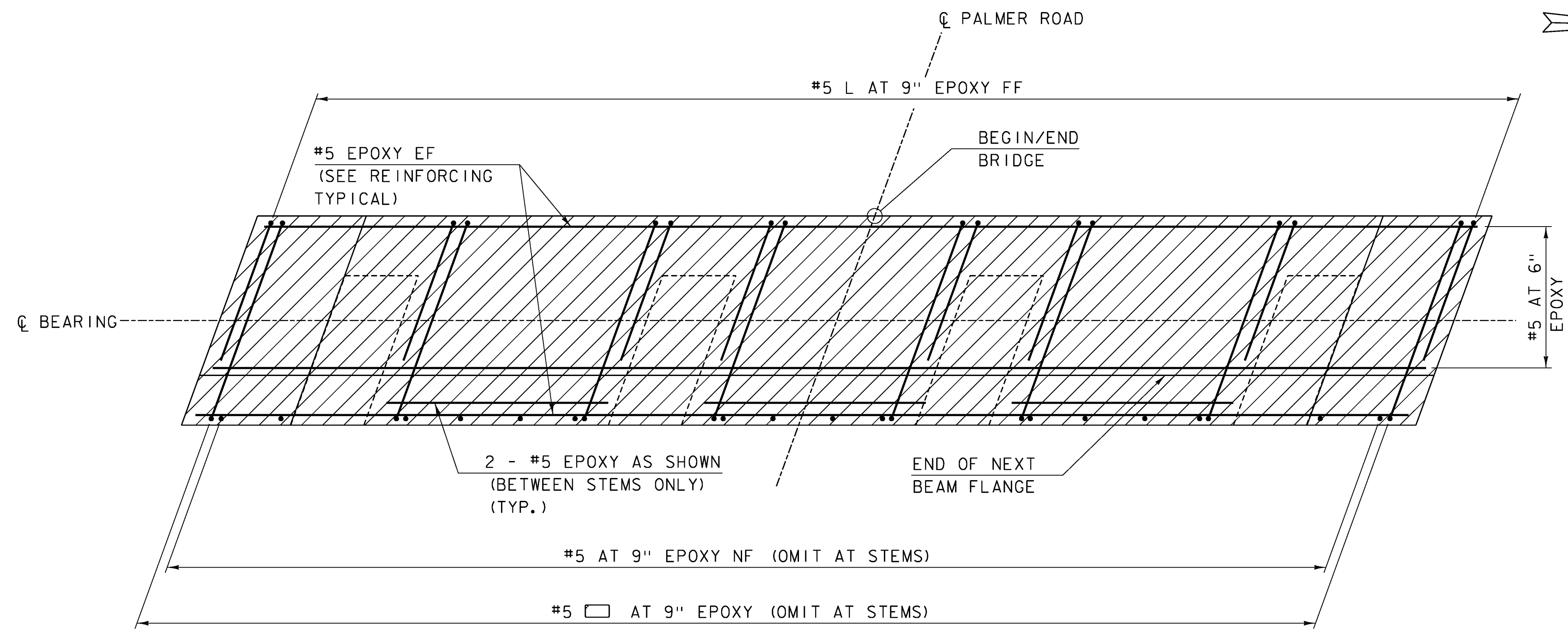
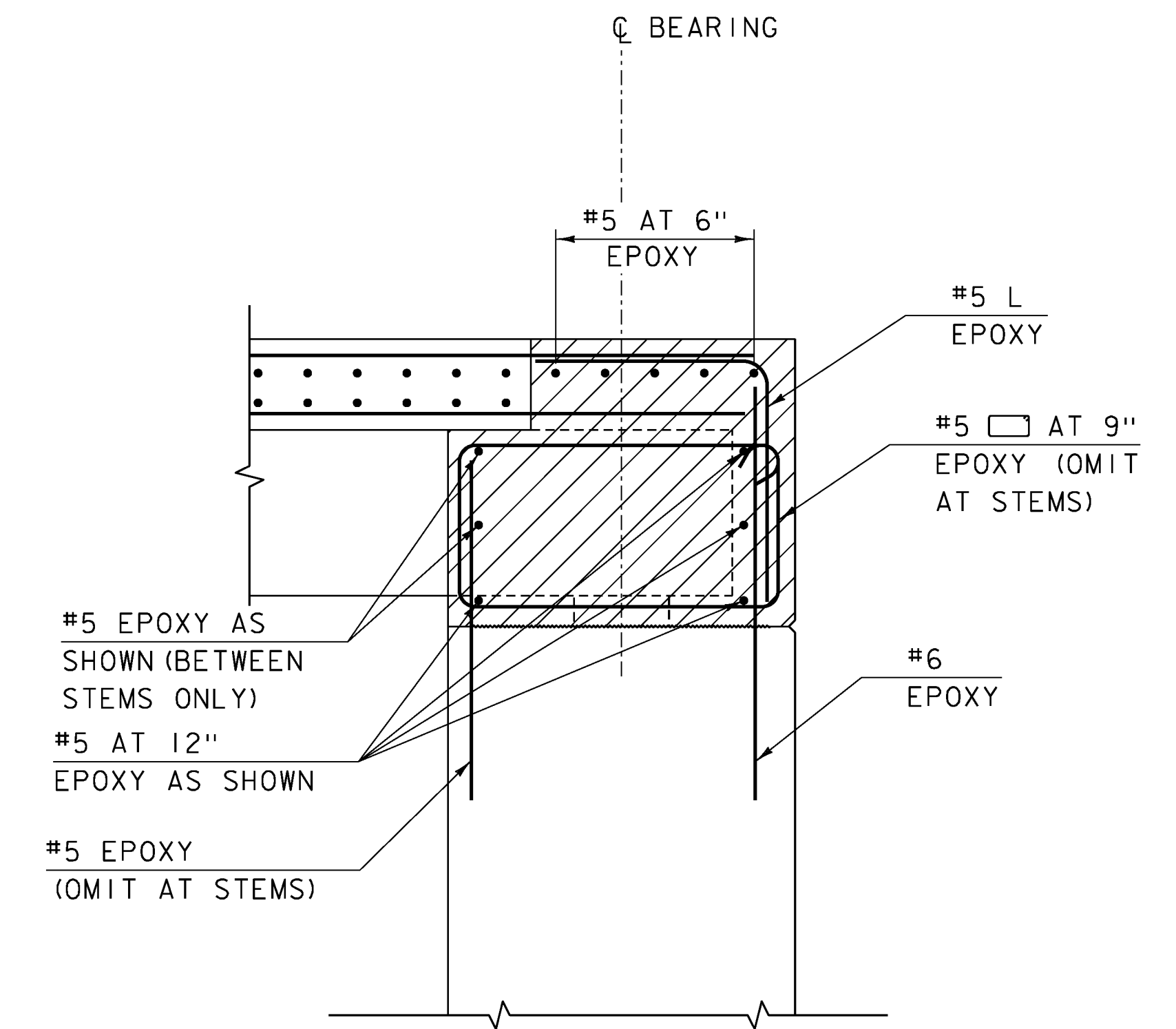
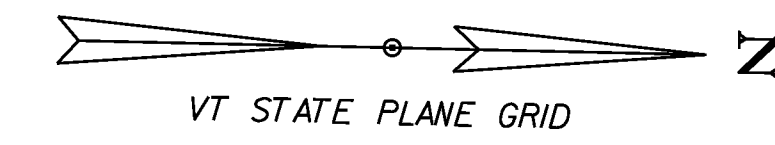


CLD 12-015
MODEL: 05



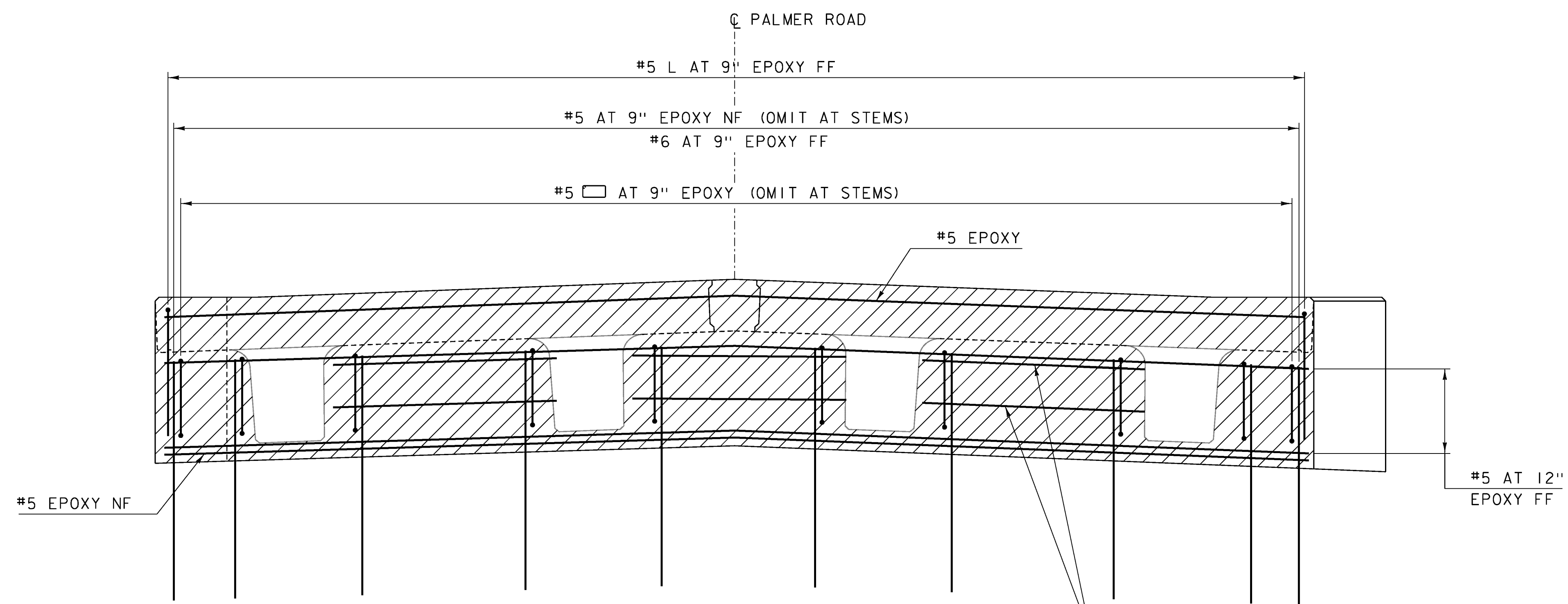
BEAM-END CLOSURE POUR
REINFORCING PLAN

SCALE: 3/4" = 1'-0"



REINFORCING TYPICAL

SCALE: 3/4" = 1'-0"



BEAM-END CLOSURE POUR
REINFORCING ELEVATION

SCALE: 3/4" = 1'-0"

2 - #5 EPOXY NF
AS SHOWN (BETWEEN
STEMS ONLY) (TYP.)

NOTE: REINFORCING STEEL FOR ABUTMENT 1
SHOWN, ABUTMENT 2 SIMILAR

NOTE:

- NF = NEAR FACE
- FF = FAR FACE
- EF = EACH FACE
- 2" CLEAR, UNLESS OTHERWISE SPECIFIED ON THE THE PLANS.
- 2'-1" BAR LAP UNLESS OTHERWISE SPECIFIED ON THE PLANS

PROJECT NAME: RANDOLPH
PROJECT NUMBER: BRO 1444(57)

FILE NAME: z1j078sup.dgn
PROJECT LEADER: J. BYATT
DESIGNED BY: N. CARON
BEAM-END CLOSURE POUR DETAILS

PLOT DATE: 8/12/2014
DRAWN BY: M. SMITH
CHECKED BY: J. BYATT
SHEET 26 OF 39

