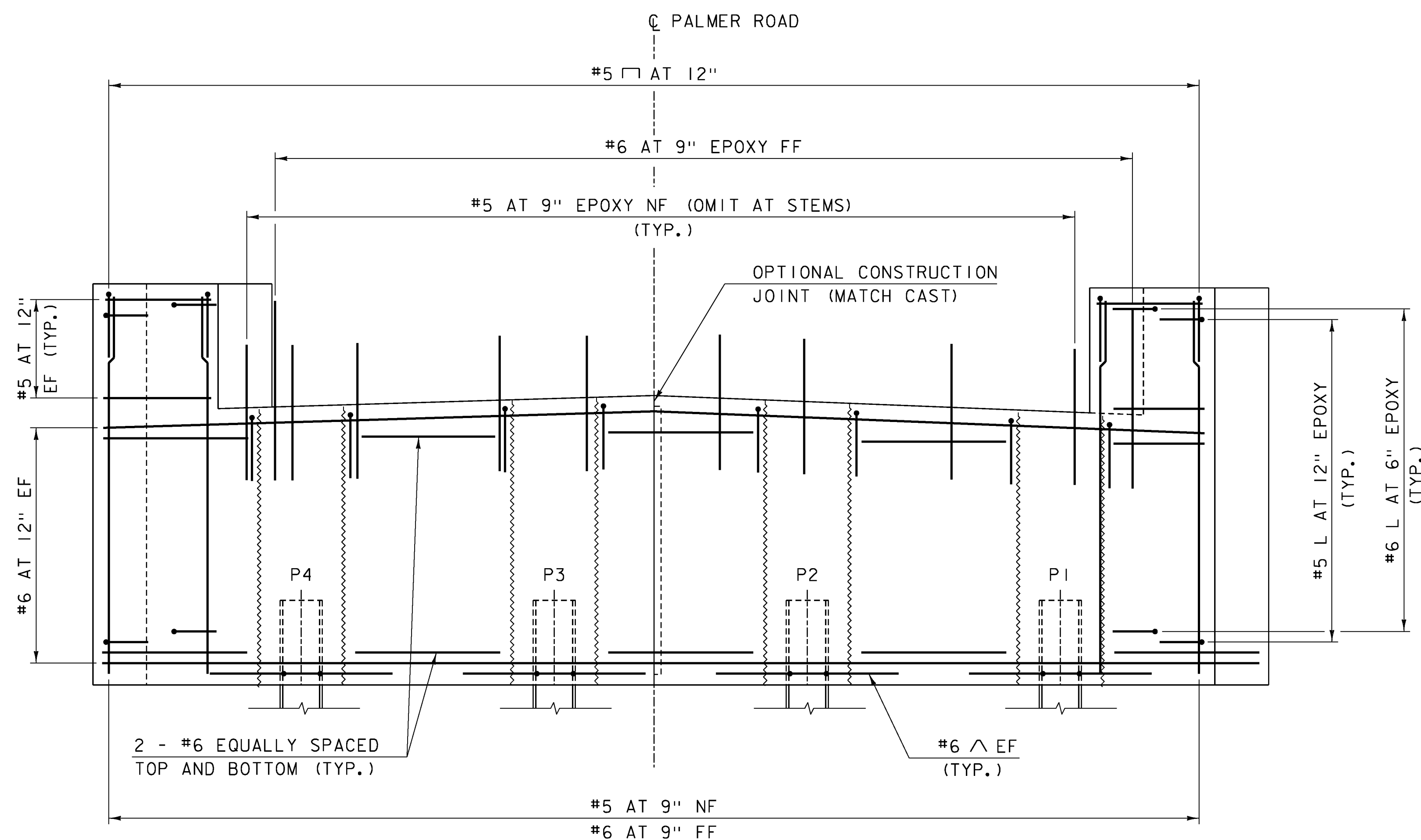


ABUTMENT I REINFORCING PLAN (PCU I)

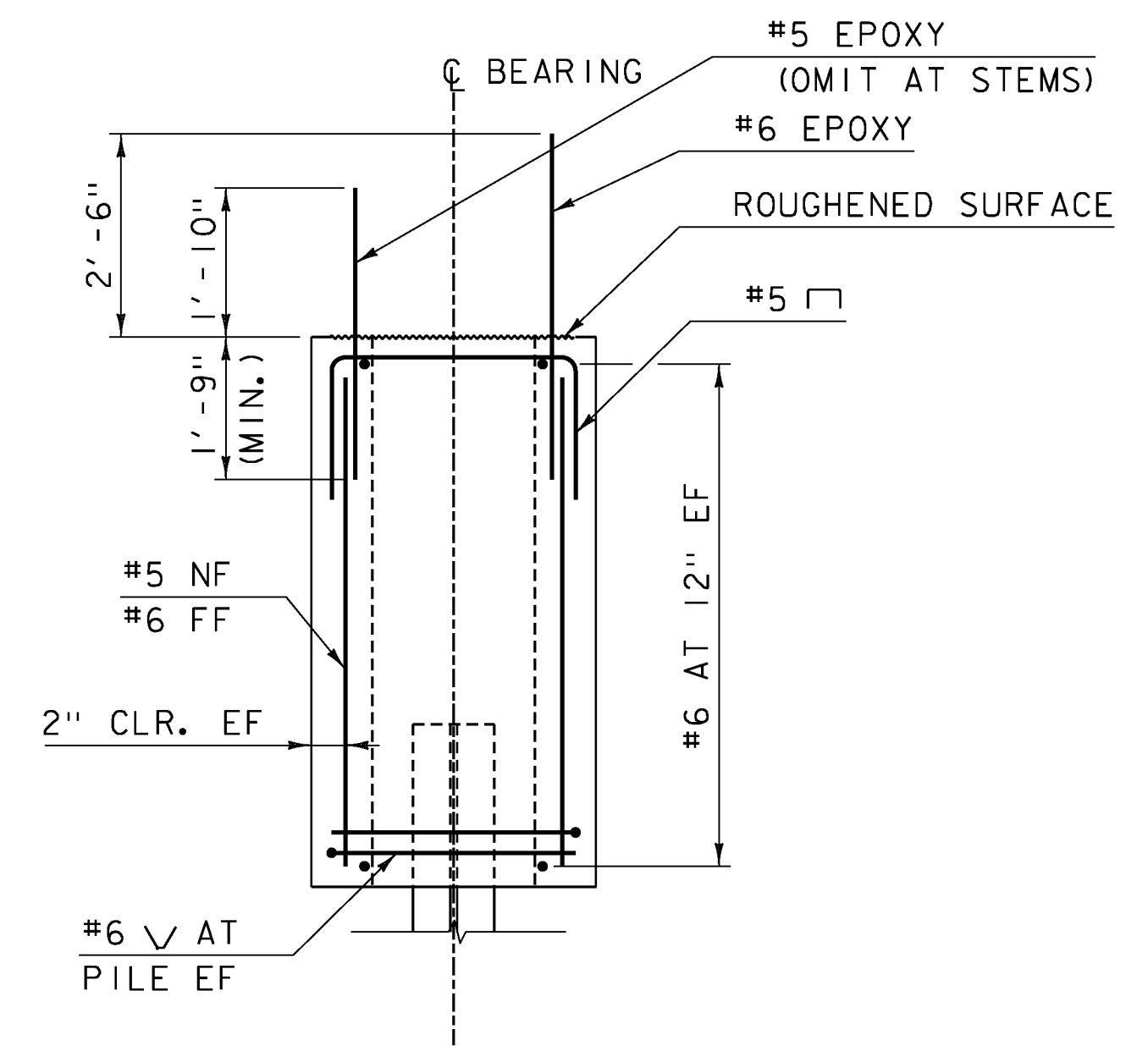
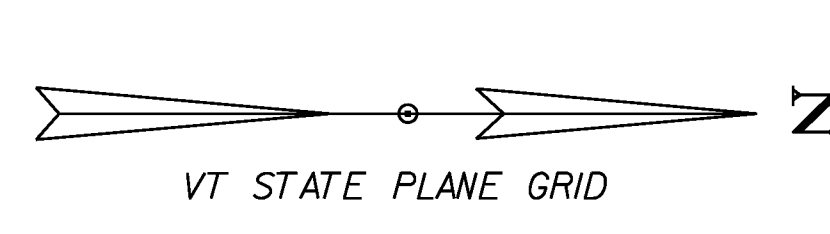
SCALE: 1/2" = 1'-0"



ABUTMENT I REINFORCING ELEVATION (PCU I)

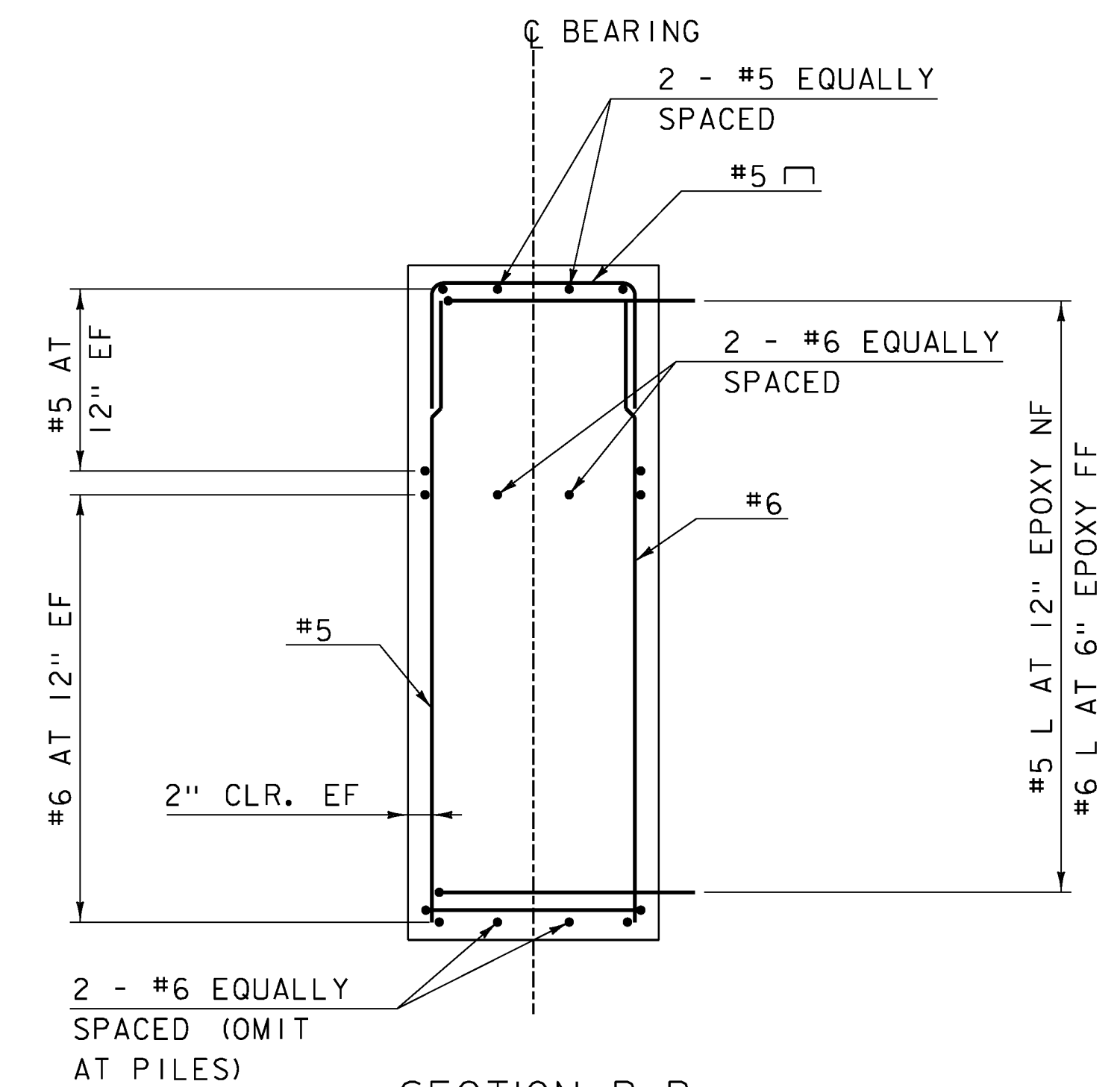
SCALE: 1/2" = 1'-0"

NOTE: REINFORCING STEEL FOR ABUTMENT 1 SHOWN, ABUTMENT 2 SIMILAR



SECTION A-A

SCALE: 1/2" = 1'-0"



SECTION B-B

SCALE: 1/2" = 1'-0"

NOTE:

- NF = NEAR FACE
- FF = FAR FACE
- EF = EACH FACE
- 3" CLEAR, UNLESS OTHERWISE SPECIFIED ON THE THE PLANS.
- 2'-6" BAR LAP UNLESS OTHERWISE SPECIFIED ON THE PLANS



PROJECT NAME: RANDOLPH  
PROJECT NUMBER: BRO 1444(57)

FILE NAME: z11j078sub.dgn  
PROJECT LEADER: J. BYATT  
DESIGNED BY: N. CARON  
ABUTMENT REINFORCING

PLOT DATE: 8/12/2014  
DRAWN BY: M. SMITH  
CHECKED BY: J. BYATT  
SHEET 25 OF 39