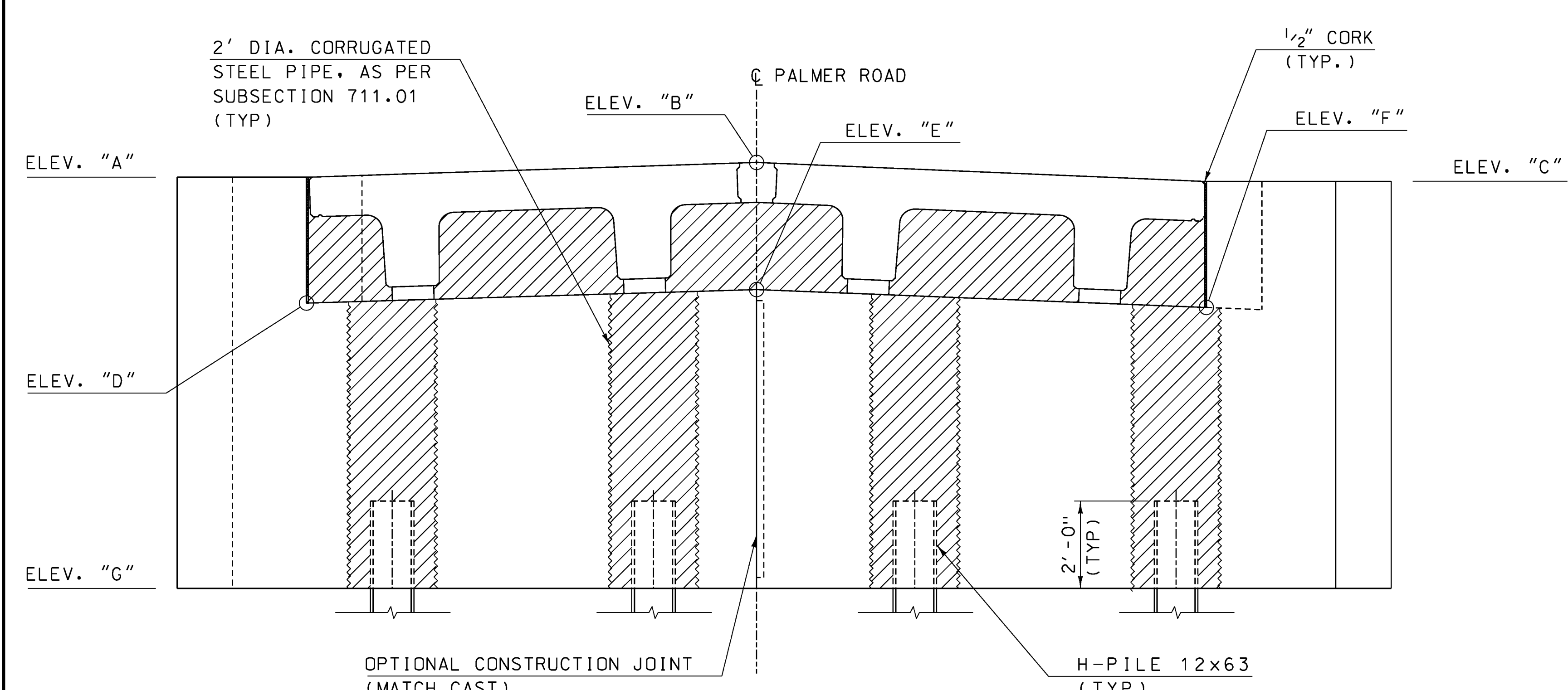
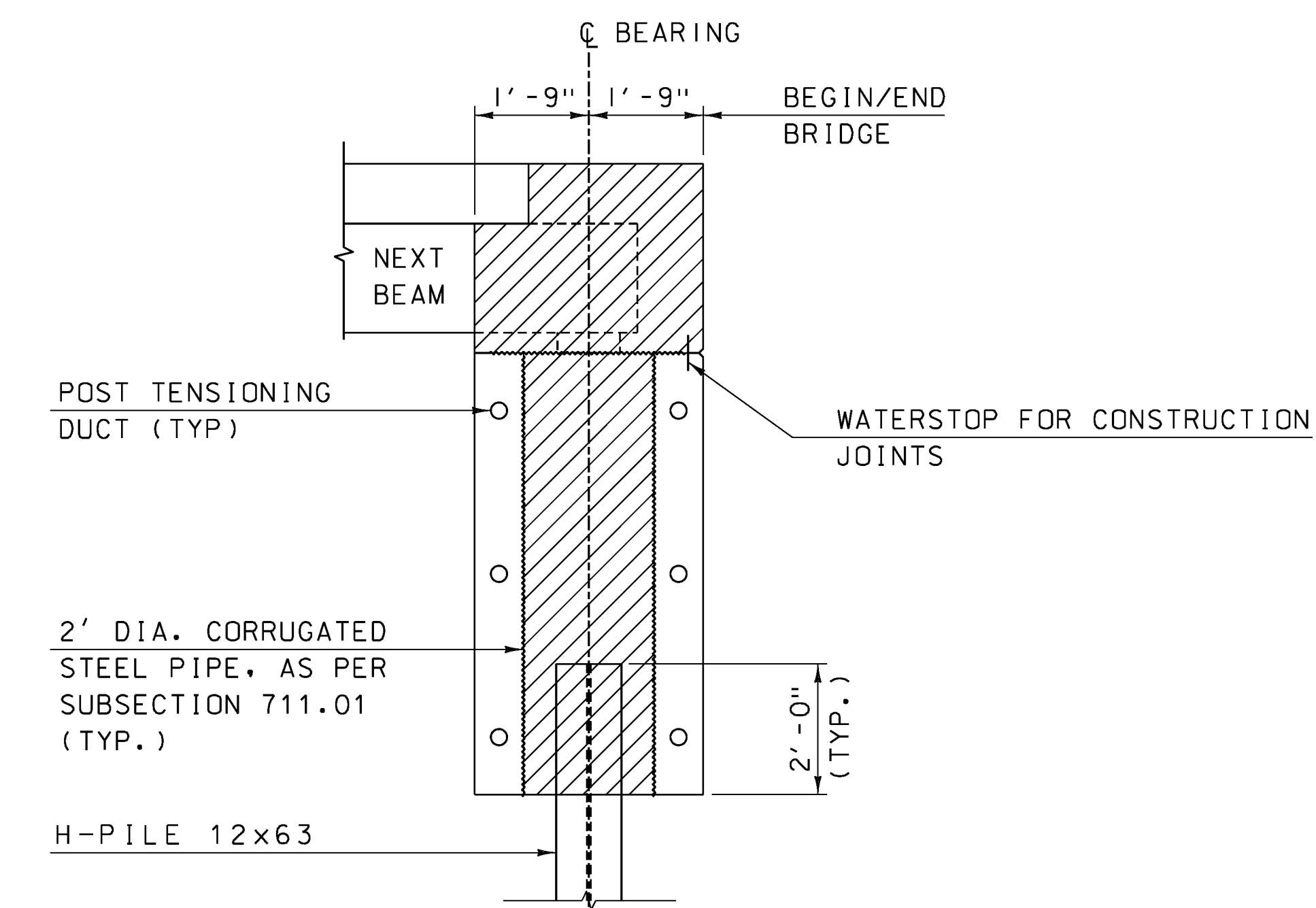


ABUTMENT I PLAN (PCU I)
SCALE: 1/2" = 1'-0"



ABUTMENT ELEVATION
SCALE: 1/2" = 1'-0"



ABUTMENT TYPICAL
SCALE: 1/2" = 1'-0"

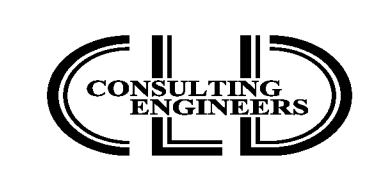
PCU ELEVATIONS

	AB1	AB2
ELEV "A"	574.45	575.46
ELEV "B"	574.76	575.92
ELEV "C"	574.29	575.62
ELEV "D"	571.55	572.56
ELEV "E"	571.86	573.03
ELEV "F"	571.40	572.72
ELEV "G"	564.75	566.00

NOTE: ELEVATIONS ARE AT CENTERLINE BEARING

NOTE: ABUTMENT 1 SHOWN, ABUTMENT 2 SIMILAR

CLD 12-0175 MODEL: 02



PROJECT NAME:	RANDOLPH	PLOT DATE:	8/12/2014
PROJECT NUMBER:	BRO 1444(57)	PROJECT LEADER:	J. BYATT
DESIGNED BY:	N. CARON	CHECKED BY:	J. BYATT
ABUTMENT PLAN		SHEET	24 OF 39