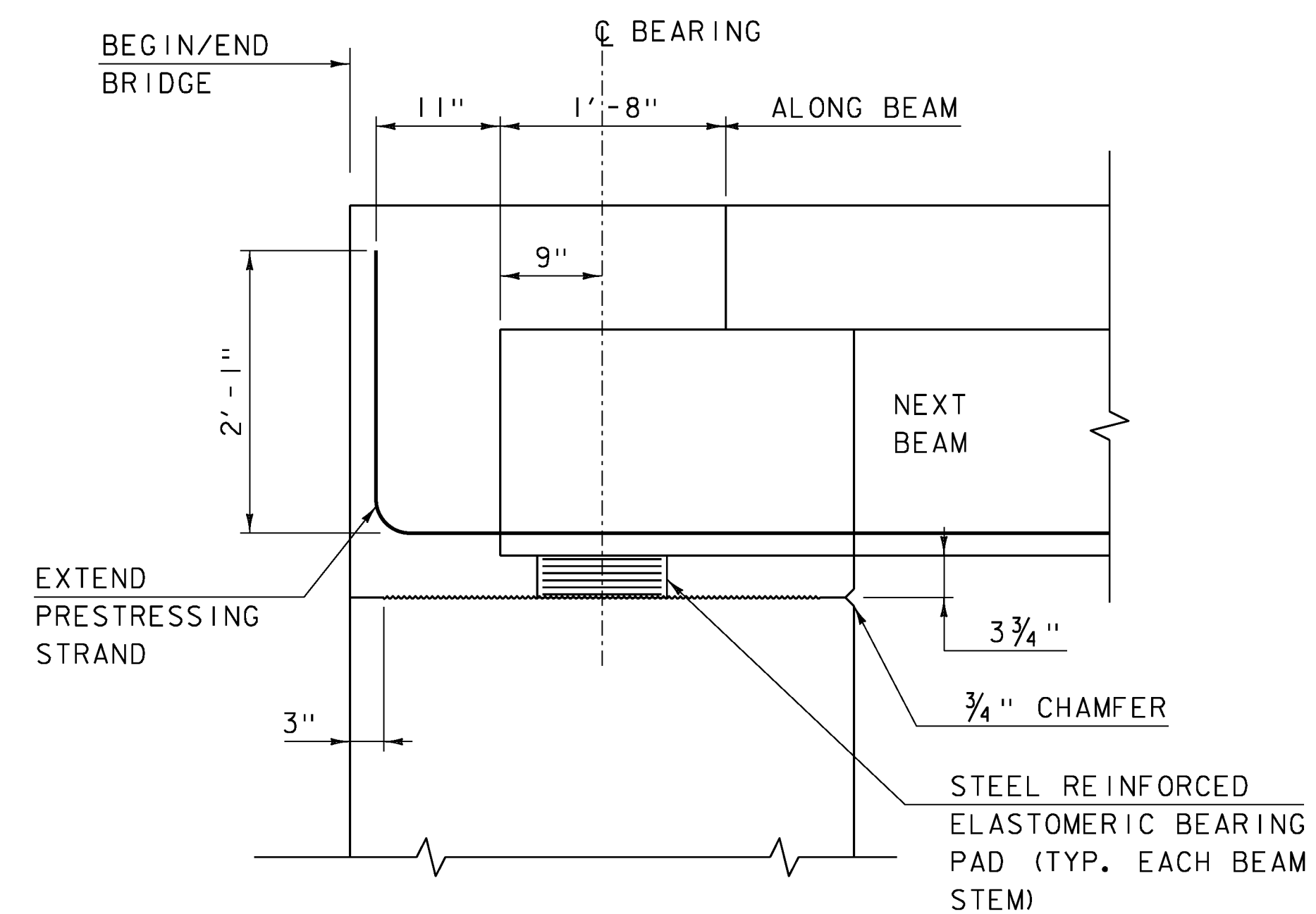
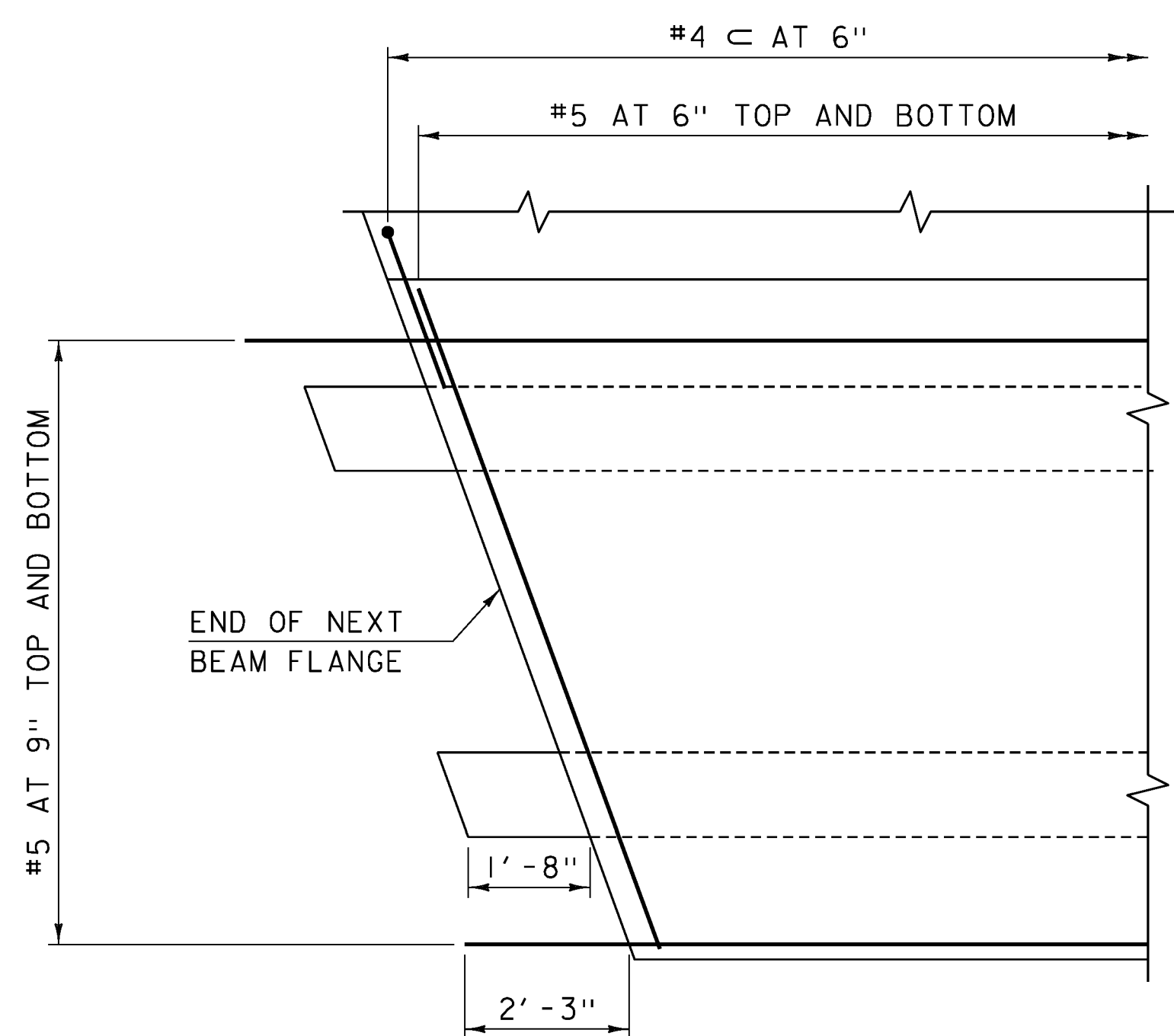


NOTE: ABUTMENT REBAR AND PRESTRESSING STRANDS NOT SHOWN FOR CLARITY

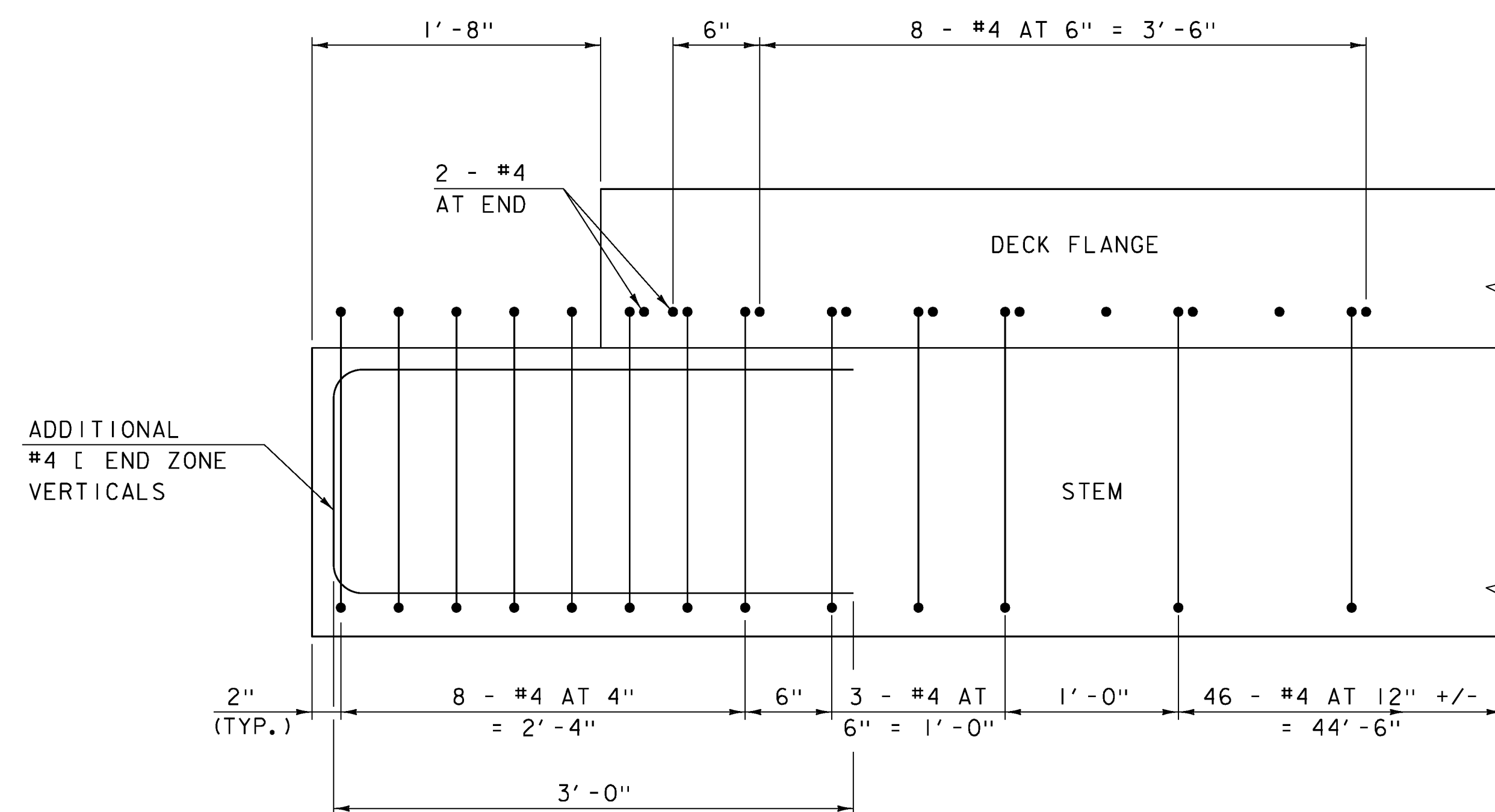
TYPICAL DECK REINFORCING AT BEAM END  
SCALE: 1" = 1'-0"



TYPICAL BEAM END DETAIL  
SCALE: 1" = 1'-0"



PARTIAL BEAM FLANGE PLAN  
SCALE: 1/2" = 1'-0"



ADDITIONAL BEAM END REINFORCING  
LONGITUDINAL SECTION  
SCALE: 1/2" = 1'-0"

CLD 12-0175 MODEL: 03



PROJECT NAME: RANDOLPH  
PROJECT NUMBER: BRO 1444(57)

FILE NAME: z11j078sup.dgn  
PROJECT LEADER: J. BYATT  
DESIGNED BY: N. CARON  
NEXT BEAM DETAILS (2 OF 2)

PLOT DATE: 8/12/2014  
DRAWN BY: M. SMITH  
CHECKED BY: J. BYATT  
SHEET 22 OF 39