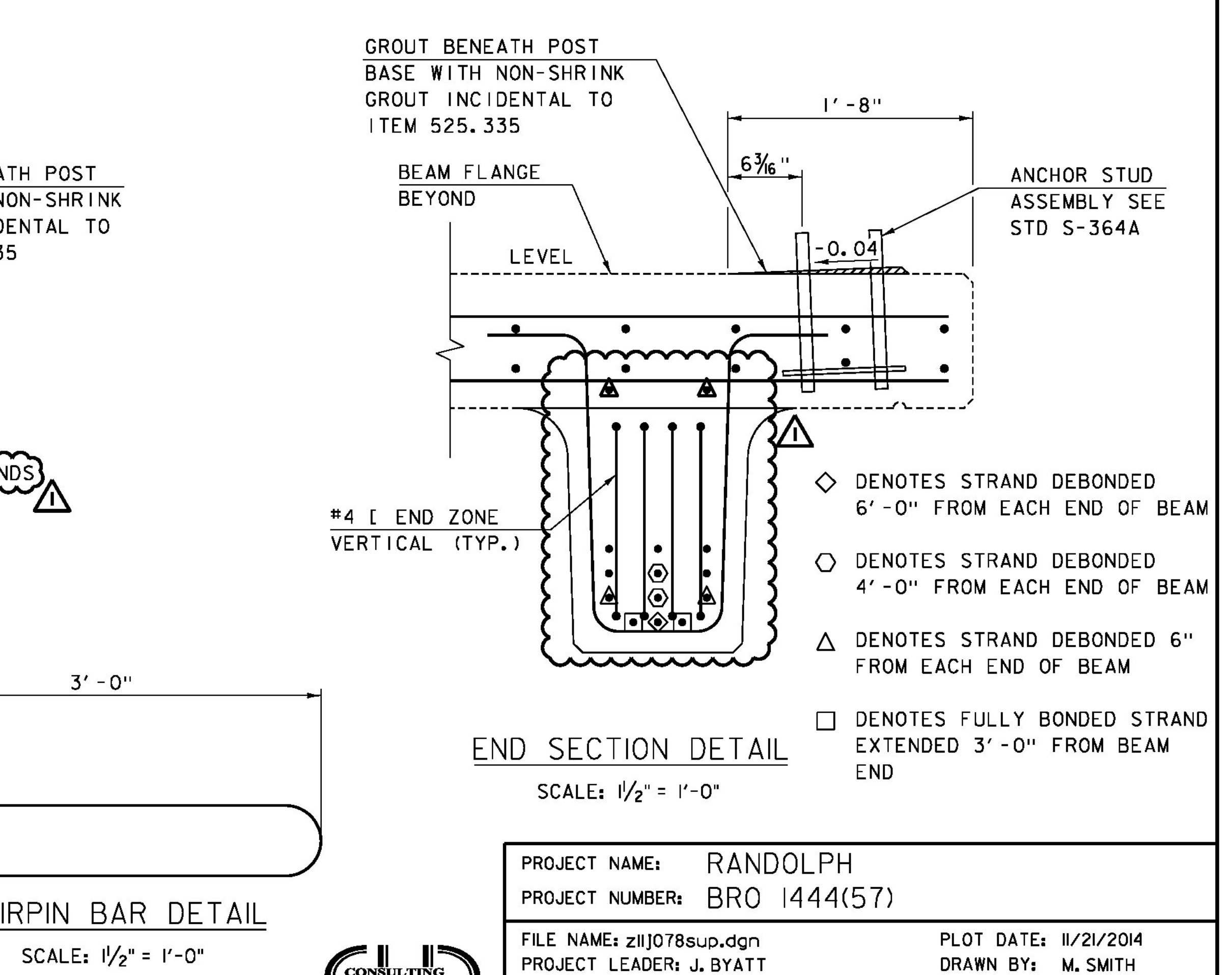
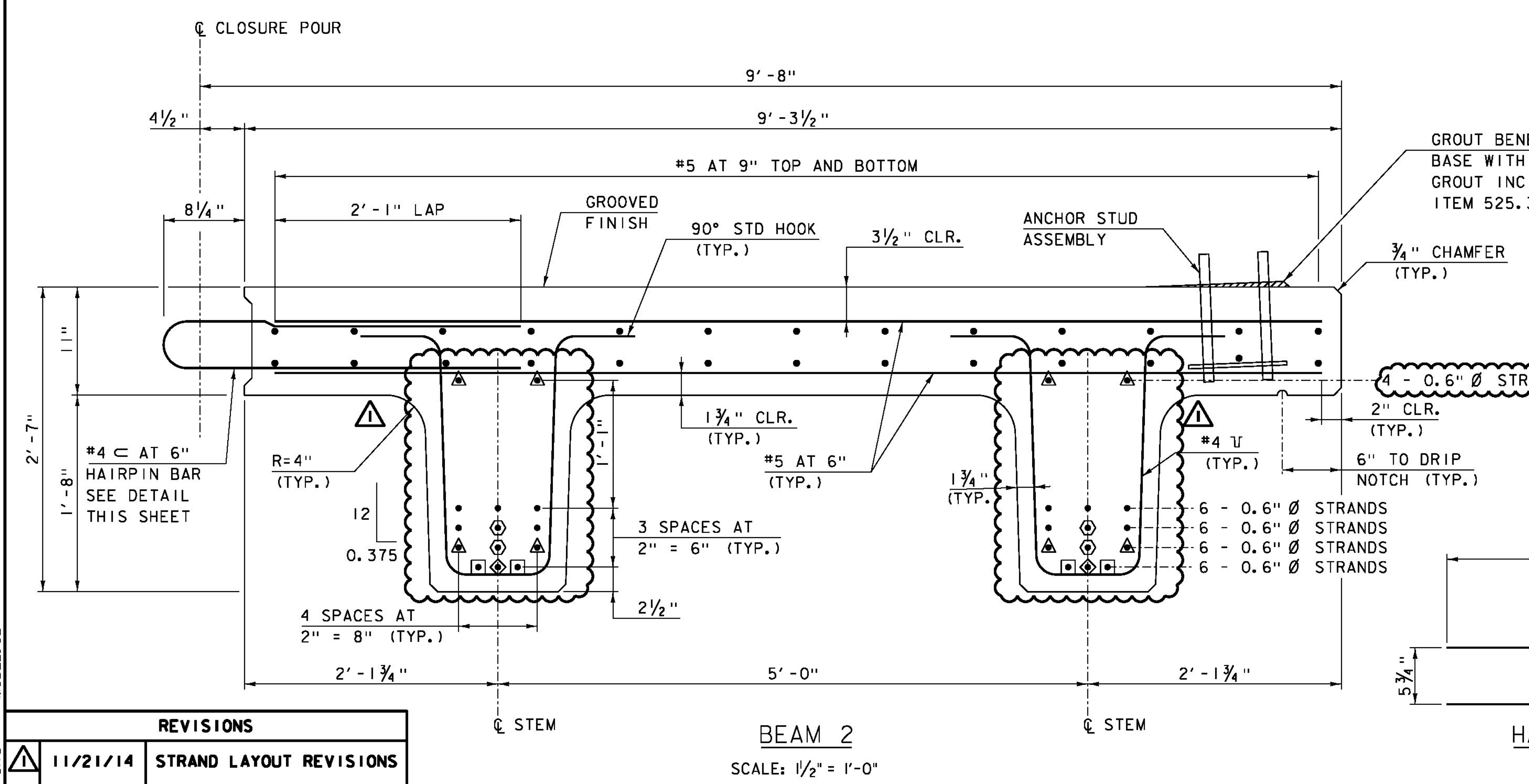


NOTE:
 1. BARS IN DECK OMITTED FOR CLARITY.
 2. TRANSVERSE REINFORCING IN THE DECK SHALL BE PLACED PARALLEL TO THE SKEW.



MODEL: 02
 CLD 12-0175

REVISIONS	
11/21/14	STRAND LAYOUT REVISIONS

PROJECT NAME: RANDOLPH
 PROJECT NUMBER: BRO 1444(57)
 FILE NAME: z11j078sup.dgn
 PROJECT LEADER: J. BYATT
 DESIGNED BY: N. CARON
 NEXT BEAM DETAILS (1 OF 2)

PLOT DATE: 11/21/2014
 DRAWN BY: M. SMITH
 CHECKED BY: J. BYATT
 SHEET 21 OF 39

