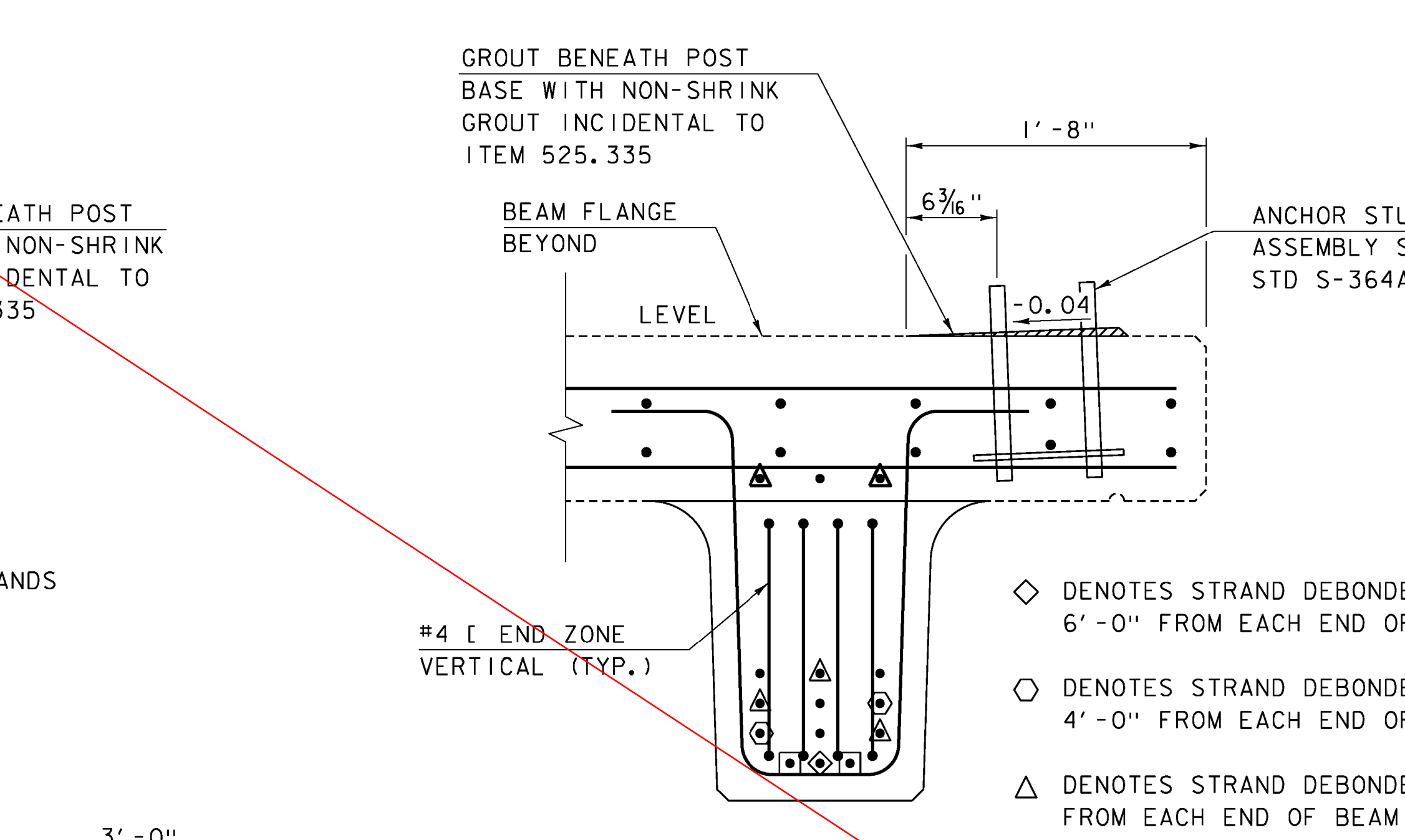
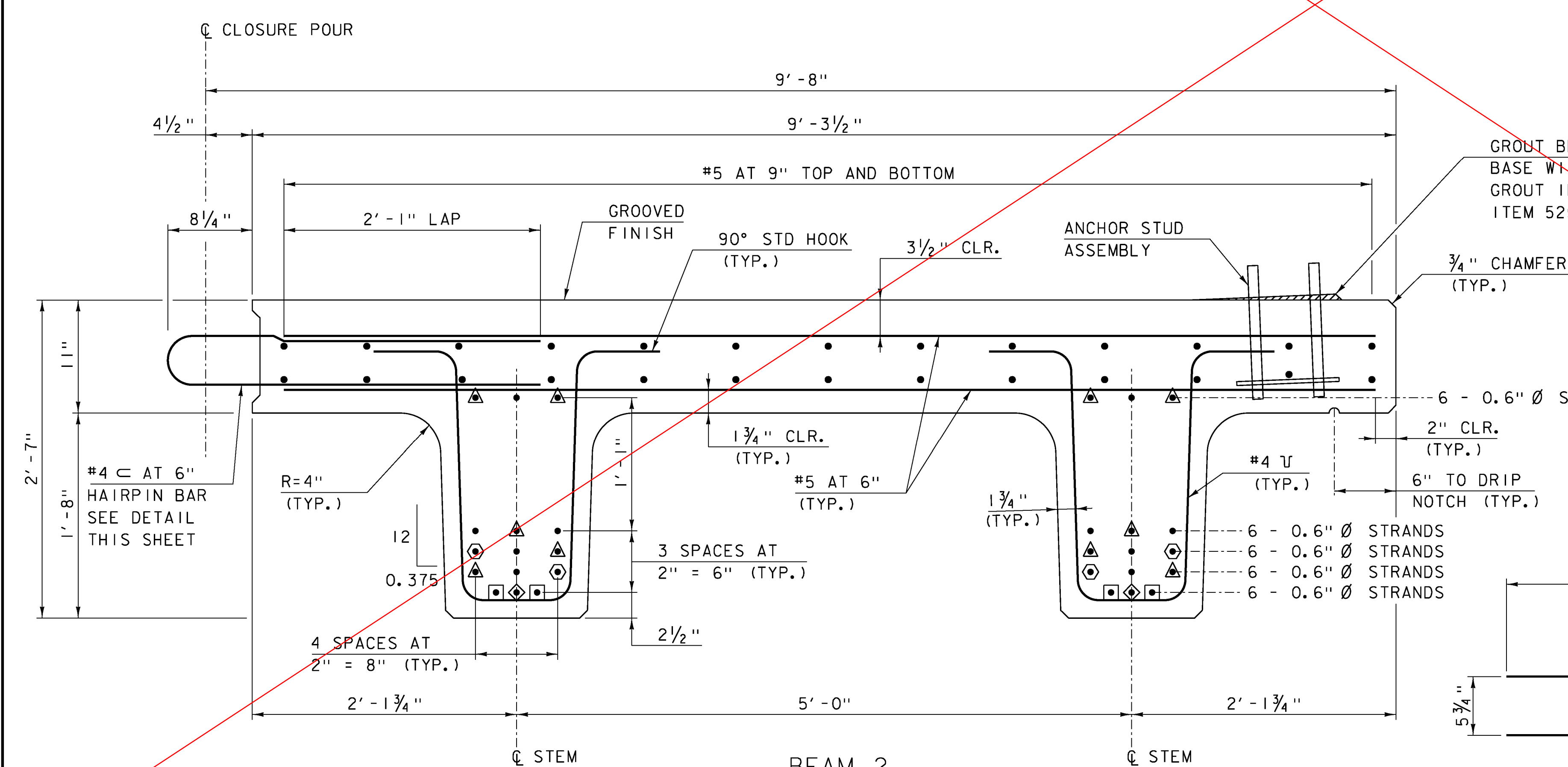


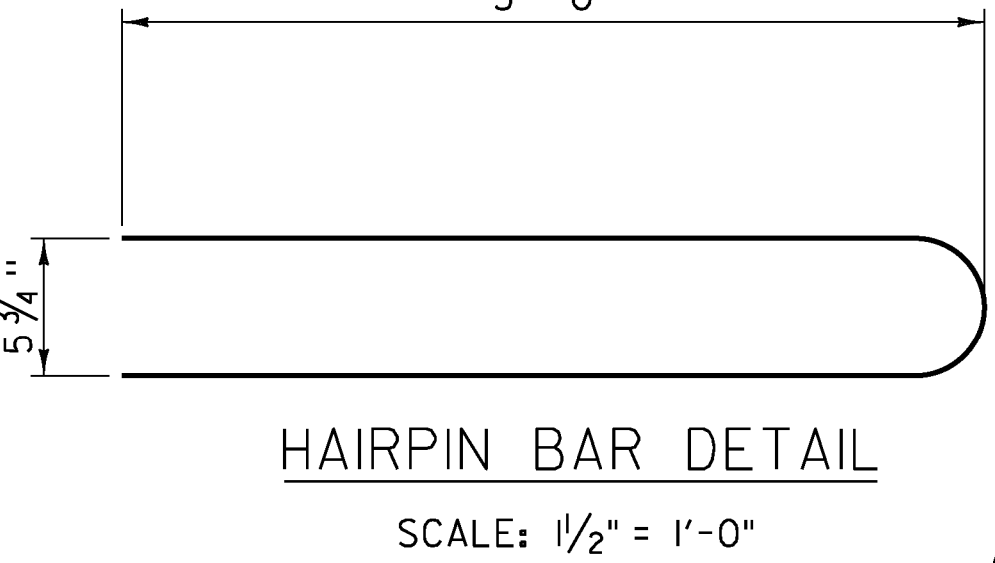
SKewed END DETAIL
SCALE: 1/2" = 1'-0"

- NOTE:
1. BARS IN DECK OMITTED FOR CLARITY.
 2. TRANSVERSE REINFORCING IN THE DECK SHALL BE PLACED PARALLEL TO THE SKEW.



END SECTION DETAIL
SCALE: 1/2" = 1'-0"

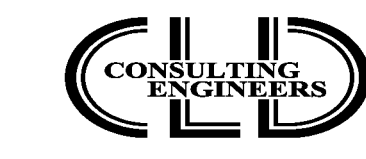
- ◇ DENOTES STRAND DEBONDED 6'-0" FROM EACH END OF BEAM
- DENOTES STRAND DEBONDED 4'-0" FROM EACH END OF BEAM
- △ DENOTES STRAND DEBONDED 6" FROM EACH END OF BEAM
- DENOTES FULLY BONDED STRAND EXTENDED 3'-0" FROM BEAM END



HAIRPIN BAR DETAIL
SCALE: 1/2" = 1'-0"

MODEL: 02
CLD 12-0175

PROJECT NAME:	RANDOLPH	PLOT DATE:	8/12/2014
PROJECT NUMBER:	BRO 1444(57)	DRAWN BY:	M. SMITH
FILE NAME:	zlj078sup.dgn	DESIGNED BY:	N. CARON
PROJECT LEADER:	J. BYATT	CHECKED BY:	J. BYATT
NEXT BEAM DETAILS (1 OF 2)		SHEET	21 OF 39



SEE REVISED SHEET