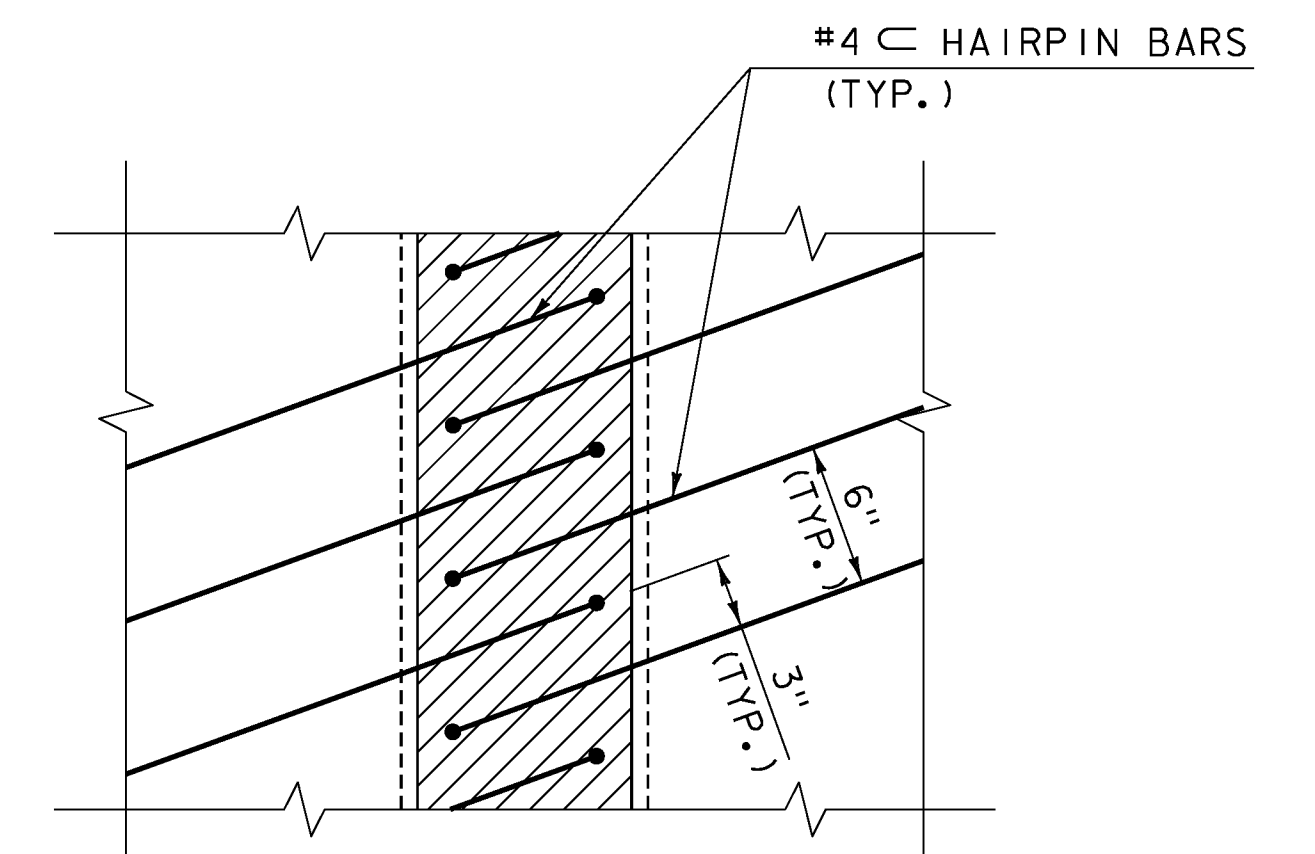
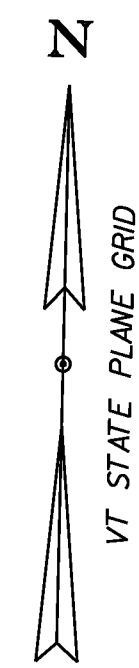
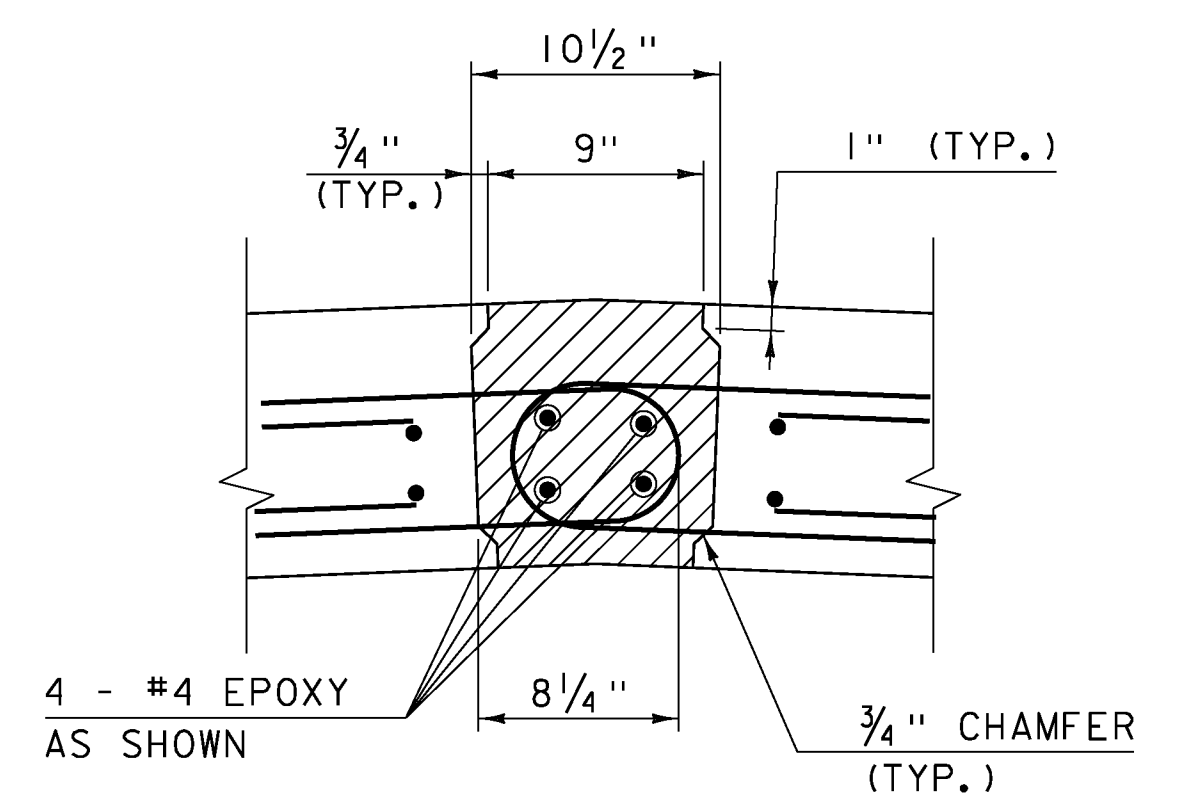


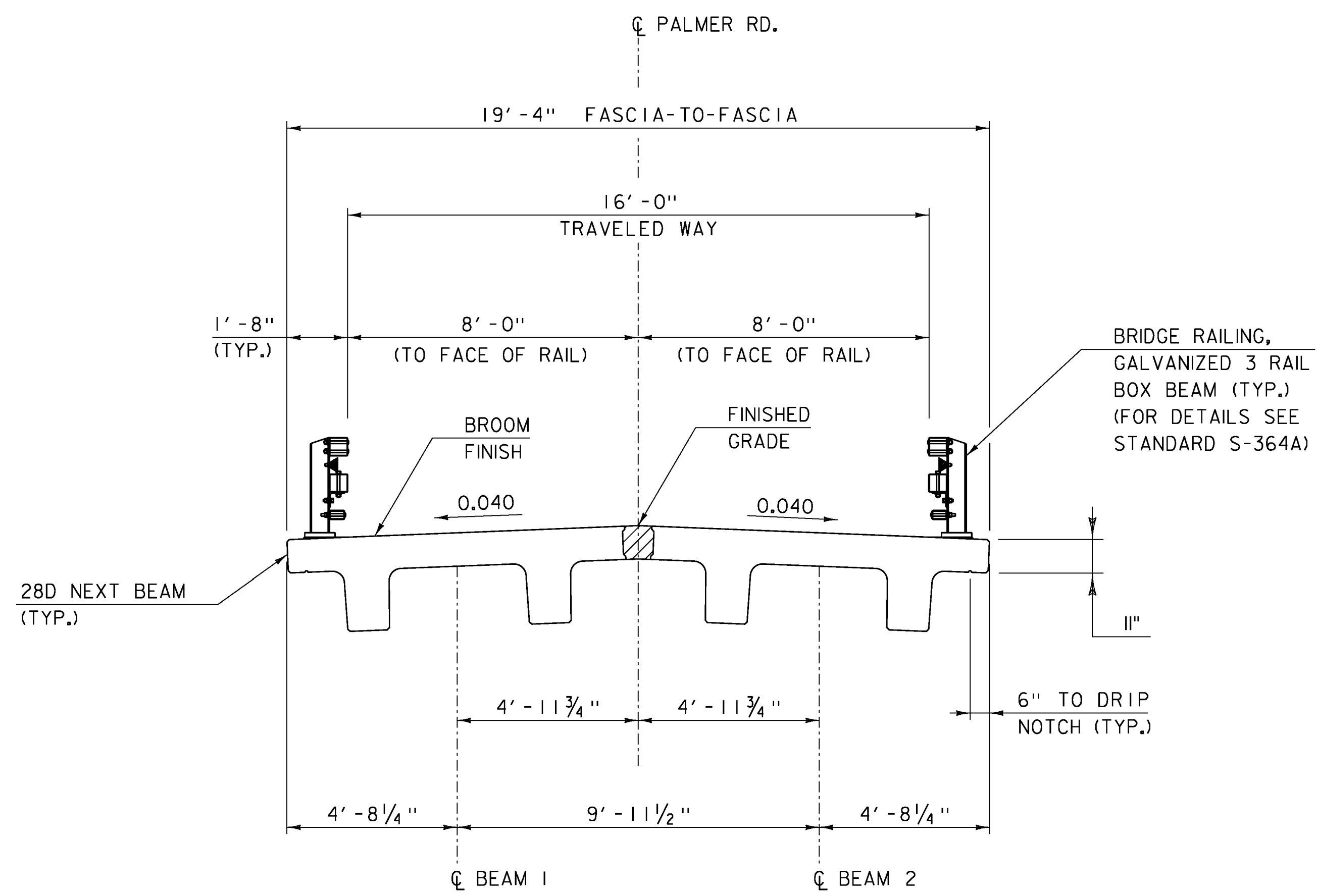
BRIDGE PLAN
SCALE: 1/4" = 1'-0"



CONNECTION DETAIL PLAN
SCALE: 1/2" = 1'-0"



CONNECTION DETAIL SECTION
SCALE: 1/2" = 1'-0"



TYPICAL BRIDGE SECTION
SCALE: 3/8" = 1'-0"

SPECIAL PROVISION (HIGH PERFORMANCE CONCRETE, RAPID SET) (TYP.)

PROJECT NAME: RANDOLPH	PLOT DATE: 8/12/2014
PROJECT NUMBER: BRO 1444(57)	DRAWN BY: M. SMITH
FILE NAME: z11j078sup.dgn	CHECKED BY: J. BYATT
PROJECT LEADER: J. BYATT	BRIDGE PLAN AND TYPICAL SECTIONS
DESIGNED BY: N. CARON	SHEET 20 OF 39



MODEL: 01
CLD 12-0175