

REBAR SCHEDULES

Table with 8 columns: Unit Dims, Bar Mark, Qty, Size, Length, Dim "A", Bar Weight, Bend Dia, Remarks. Includes sub-tables for SP22 and SP21.

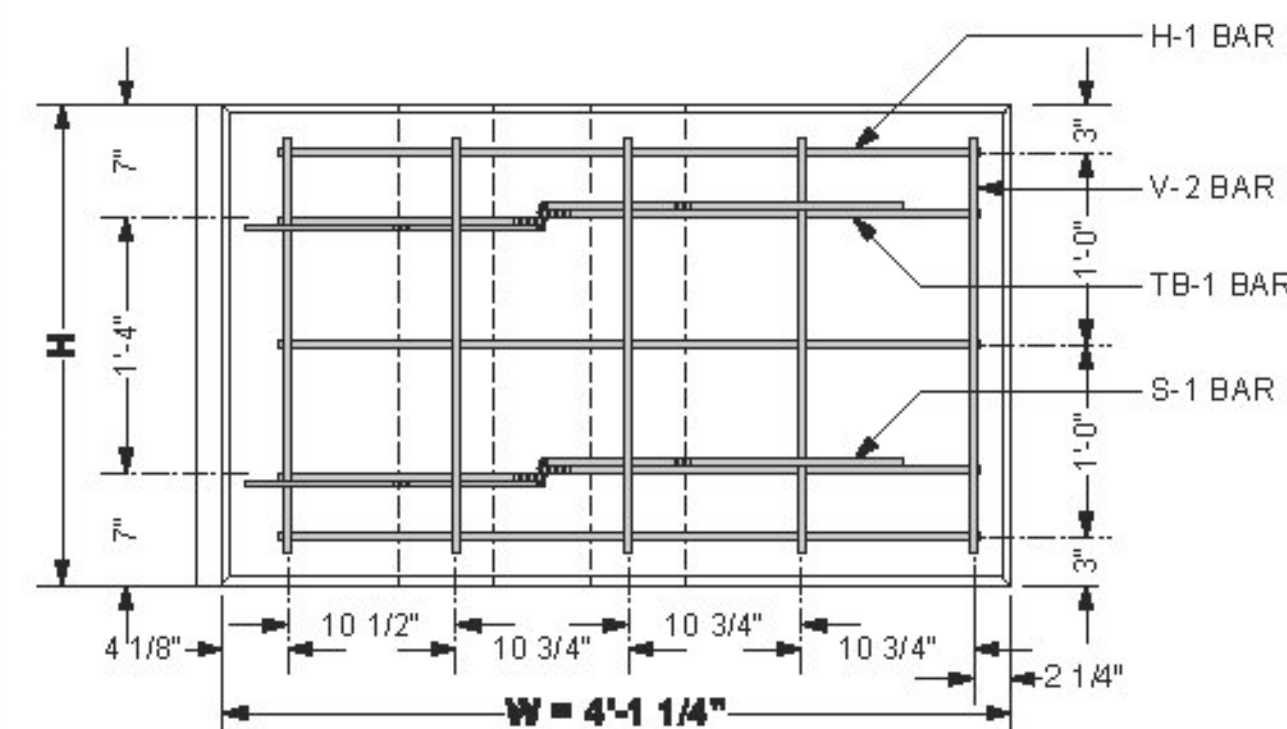
T-WALL UNIT PROPERTIES

Table with 10 columns: UNIT TYPE, H, W, S, Tf, Ts, SH, VOLUME, WEIGHT. Lists properties for SP22, SP21, and SP20.

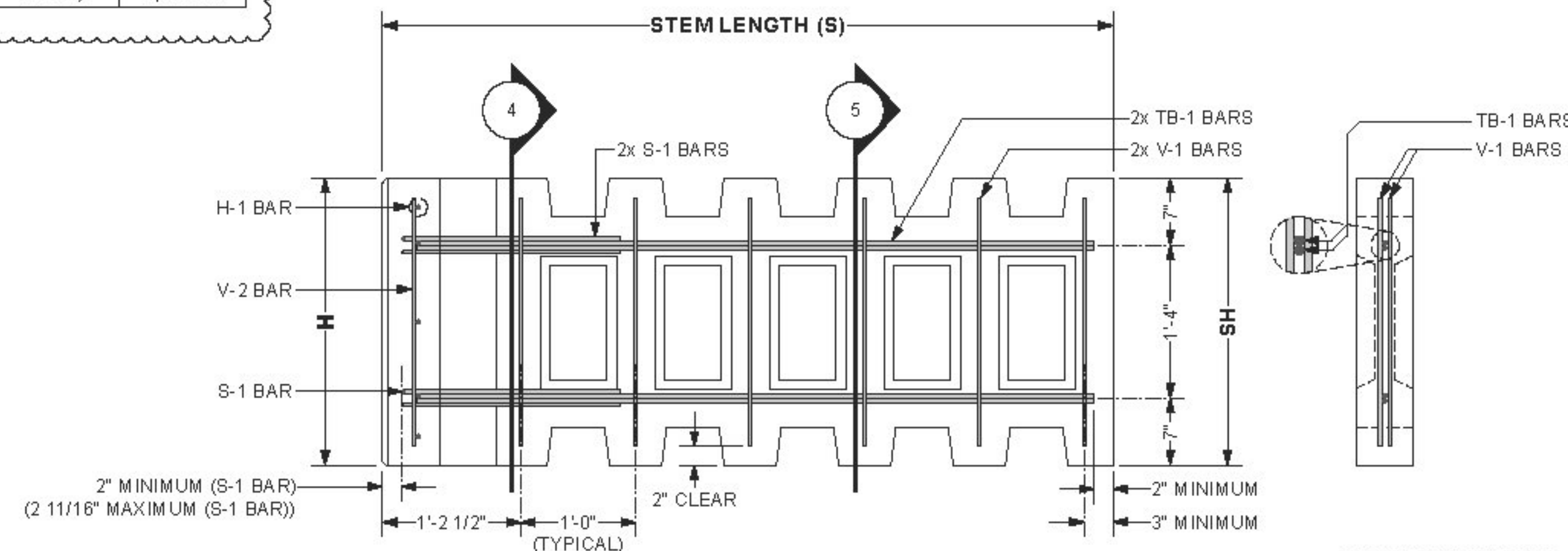
*VOLUMES AND WEIGHTS ON THIS TABLE ARE BASED ON 6" FACE THICKNESS (Tf)

Table with 8 columns: Unit Dims, Bar Mark, Qty, Size, Length, Dim "A", Bar Weight, Bend Dia, Remarks. Includes sub-tables for SP21 and SP20.

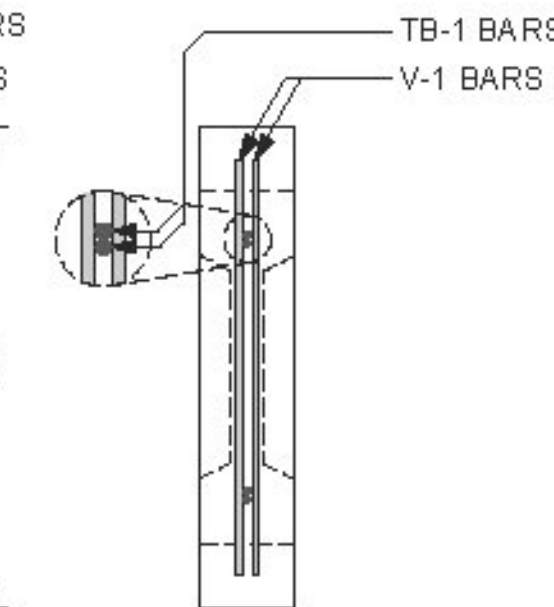
Table with 8 columns: Unit Dims, Bar Mark, Qty, Size, Length, Dim "A", Bar Weight, Bend Dia, Remarks. Includes sub-tables for SP20 and SP21.



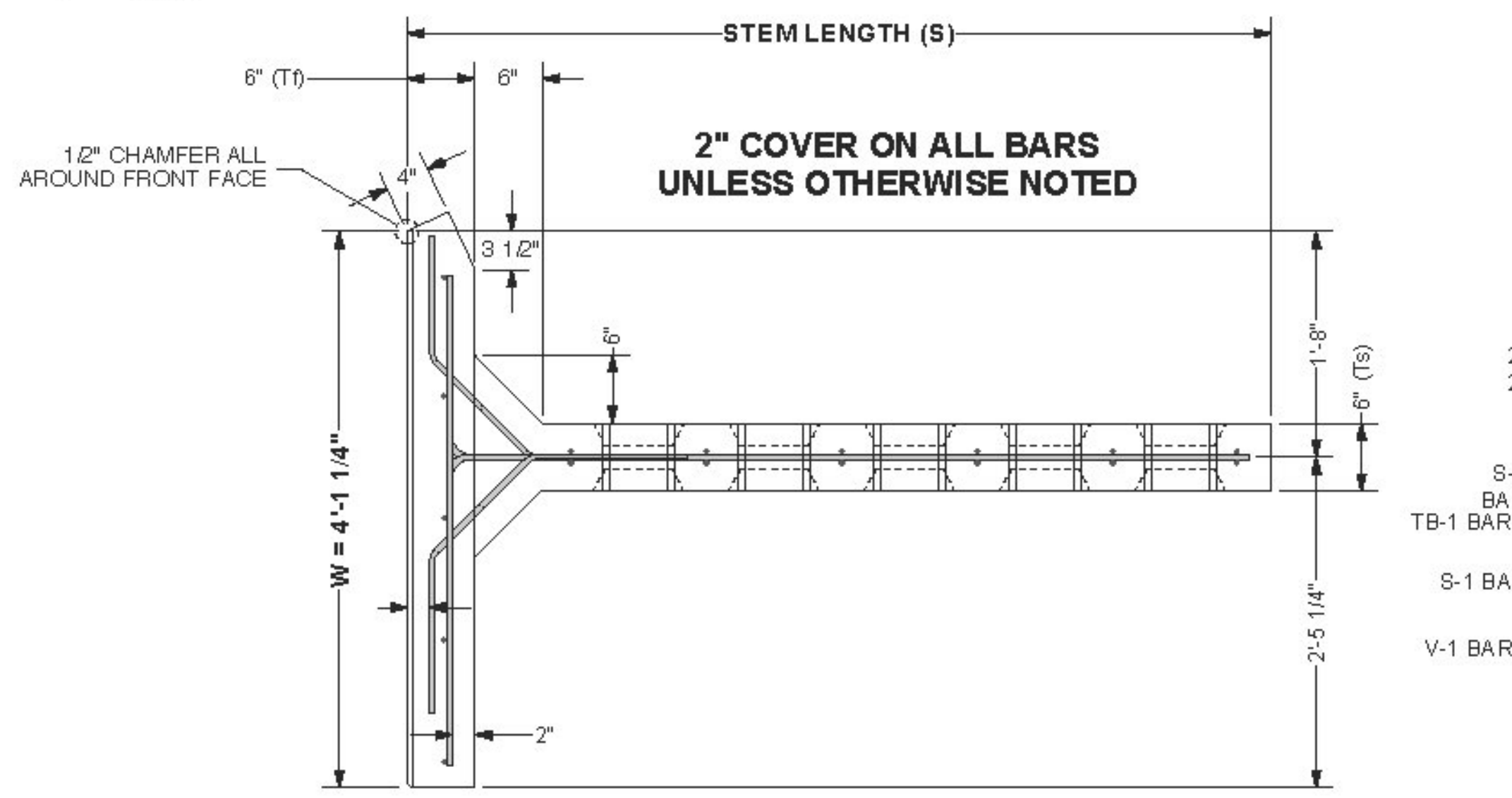
3 FRONT VIEW - 2.5 x 5.0 x 06 Std SHOWN Scale: 1" = 1'-0" (V-1 BARS IN STEM OMITTED FOR CLARITY)



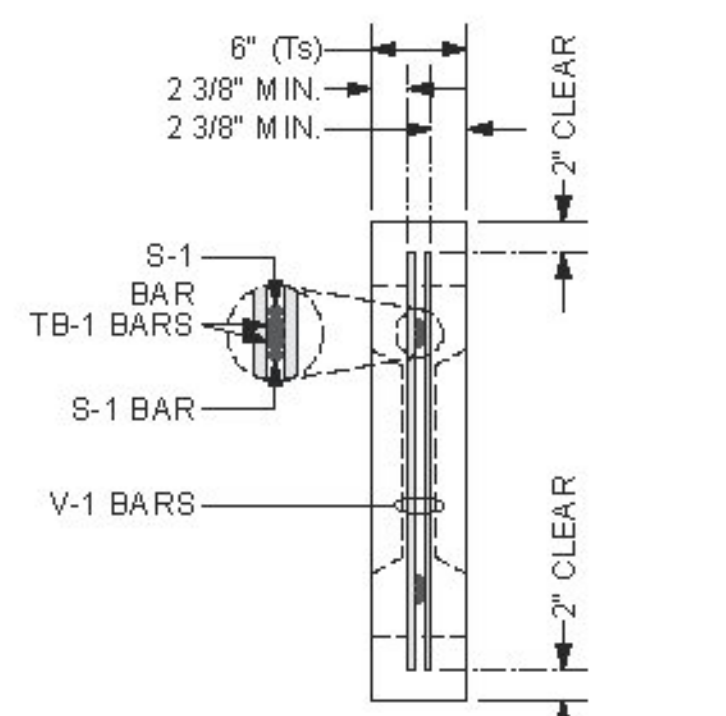
2 SIDE VIEW - 2.5 x 5.0 x 06 Std SHOWN Scale: 1" = 1'-0"



5 SECTION THROUGH STEM Scale: 1" = 1'-0"



1 PLAN VIEW - 2.5 x 5.0 x 06 Std SHOWN Scale: 1" = 1'-0"



4 SECTION THROUGH STEM Scale: 1" = 1'-0"

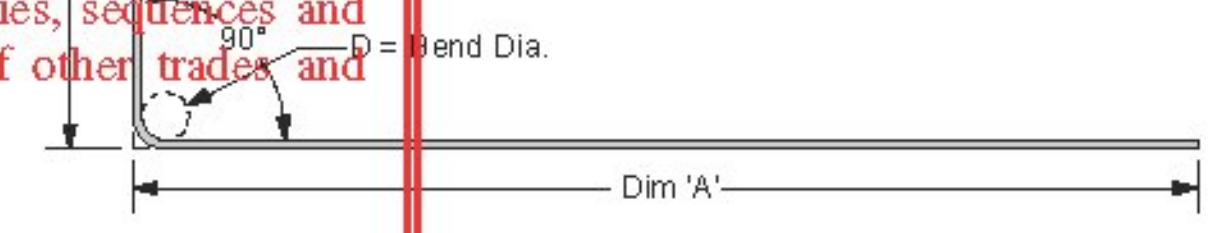
Approval box with 'X Approved Rejected' and 'Approved As Noted' options. Includes a signature line for T. Traver dated 8/8/2014 and the McFarland Johnson logo.

SPECIAL NOTES:

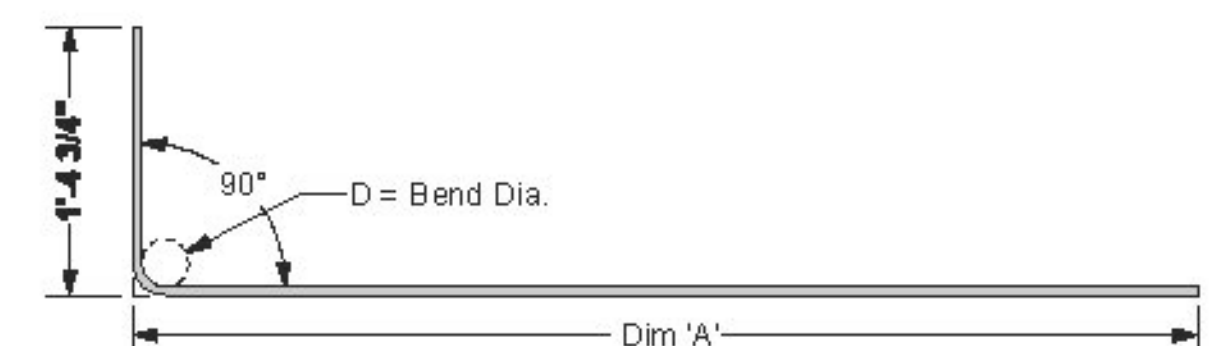
- 1. FRONT FACE OF T-WALL@ UNITS FINISH TREATMENT: PLAIN STEEL FORM FINISH

GENERAL NOTES:

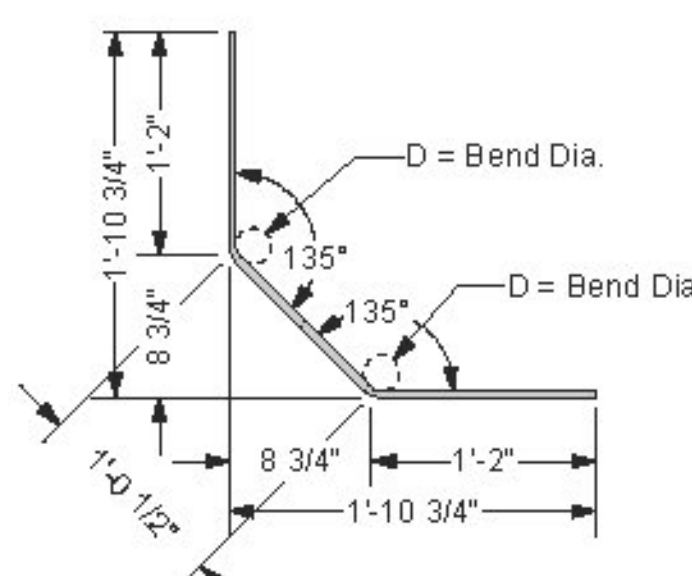
- 1. PRIMARY REFERENCE: AASHTO, LRFD BRIDGE DESIGN SPECIFICATION, 5TH EDITION 2010 (WITH INTERIMS)
2. T-WALL@ CONCRETE: F'c = 5000 psi (MINIMUM) @ 28 DAYS; MINIMUM STRIPPING STRENGTH
3. T-WALL@ REINFORCING STEEL: BLACK; Fy = 60 ksi (GRADE 60); WELDING IS NOT PERMITTED
4. MARKING OF PRECAST UNITS: CLEARLY MARK EACH PRECAST UNIT ON THE SHIRT END OF THE STEM WITH THE UNIT TYPE (i.e. 2.5x5.0x06 STD), THE DATE OF MANUFACTURE, THE LOT NUMBER (IF APPLICABLE), AND THE TRADEMARK "T-WALL@".
5. REINFORCING FABRICATION AND PLACEMENT TOLERANCES: THE STRUCTURAL DESIGN OF PRECAST UNITS ASSUMES 2 INCHES OF CONCRETE COVER OVER ALL REINFORCING BARS. UNLESS OTHERWISE NOTED IN CONTRACT DOCUMENTS OR REFERENCED SPECIFICATIONS, TOLERANCES ON CONCRETE COVER SHALL BE ± 3/8 INCHES. UNLESS OTHERWISE NOTED IN CONTRACT DOCUMENTS OR REFERENCED SPECIFICATIONS, TOLERANCES ON BAR PLACEMENT SHALL BE: VERTICAL LOCATION OF TB-1 BARS: ± 3/8 INCHES; LOCATION / SPACING OF H-1, V-1 & V-2 BARS: ± 1 INCH. REGARDLESS OF THE SPECIFIED PLACEMENT TOLERANCES, CONCRETE COVER SHALL BE MAINTAINED WITHIN ± 3/8 INCHES AS PREVIOUSLY NOTED. ALL REINFORCING BARS SHALL BE CUT AND BENT FOLLOWING REQUIREMENTS OF THE CRSI MANUAL OF STANDARD PRACTICE. UNLESS NOTED OTHERWISE, TOLERANCES FOR BAR FABRICATION SHALL MEET REQUIREMENTS OF STANDARD ACI 318 AND THE CRSI MANUAL OF STANDARD PRACTICE.



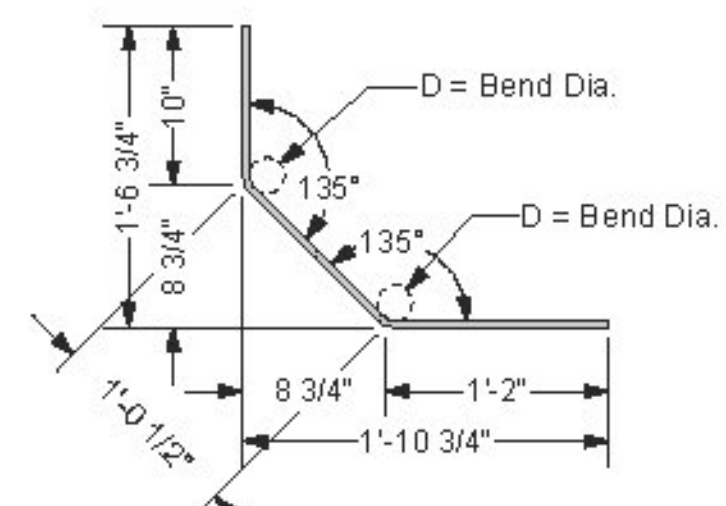
7 TB-1 REBAR Scale: 1" = 1'-0"



8 TB-2 REBAR Scale: 1" = 1'-0"



6 S-1 REBAR Scale: 1" = 1'-0"



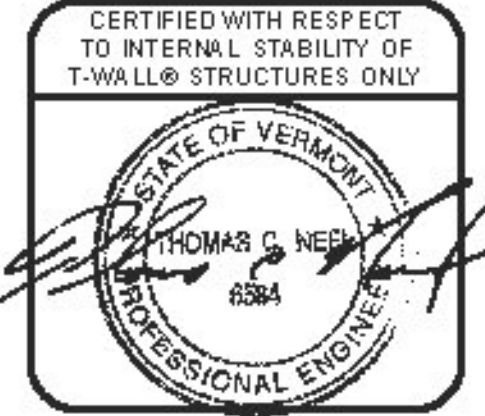
9 S-2 REBAR Scale: 1" = 1'-0"



The design contained on these drawings is based upon information provided by the owner. On the basis of this information, The Neel Company has designed, and is responsible for, the internal stability of the structure only. External stability, including foundation and slope stability, is the responsibility of the owner. This drawing contains information proprietary to The Neel Company. T-WALL@ is a registered trademark owned by The Neel Company. ©2014 The Neel Company

PRECASTER: CONCRETE SYSTEMS, INC. CSI
PROJECT #: T21882
CONTRACTOR: AL ST. ONGE CONTRACTORS
PROJECT #: TW4301

DESIGNER: THE NEEL COMPANY
8328-D TRAFORD LANE
SPRINGFIELD, VIRGINIA 22152
PH: (703) 913-7858
FX: (703) 913-7859
WEB: WWW.NEELCO.COM
PROJECT #: TW4301



REVISIONS table with columns for REVIEWER COMMENTS, ABC, and 8-6-14.

RIGIDIFIED TUBE FRP ARCH (RTFA) PROJECT
FAIRFIELD, VT
SHOP DRAWINGS
NARROW LEFT BEVELED UNITS
REBAR AND DIMENSIONS
T-WALL@ RETAINING WALL SYSTEM

Table with columns for SCALE (AS NOTED), DATE (4/21/14), DESIGNED BY (KD), DRAWN BY (ABC), CHECKED BY (CCG), and SHEET (11).