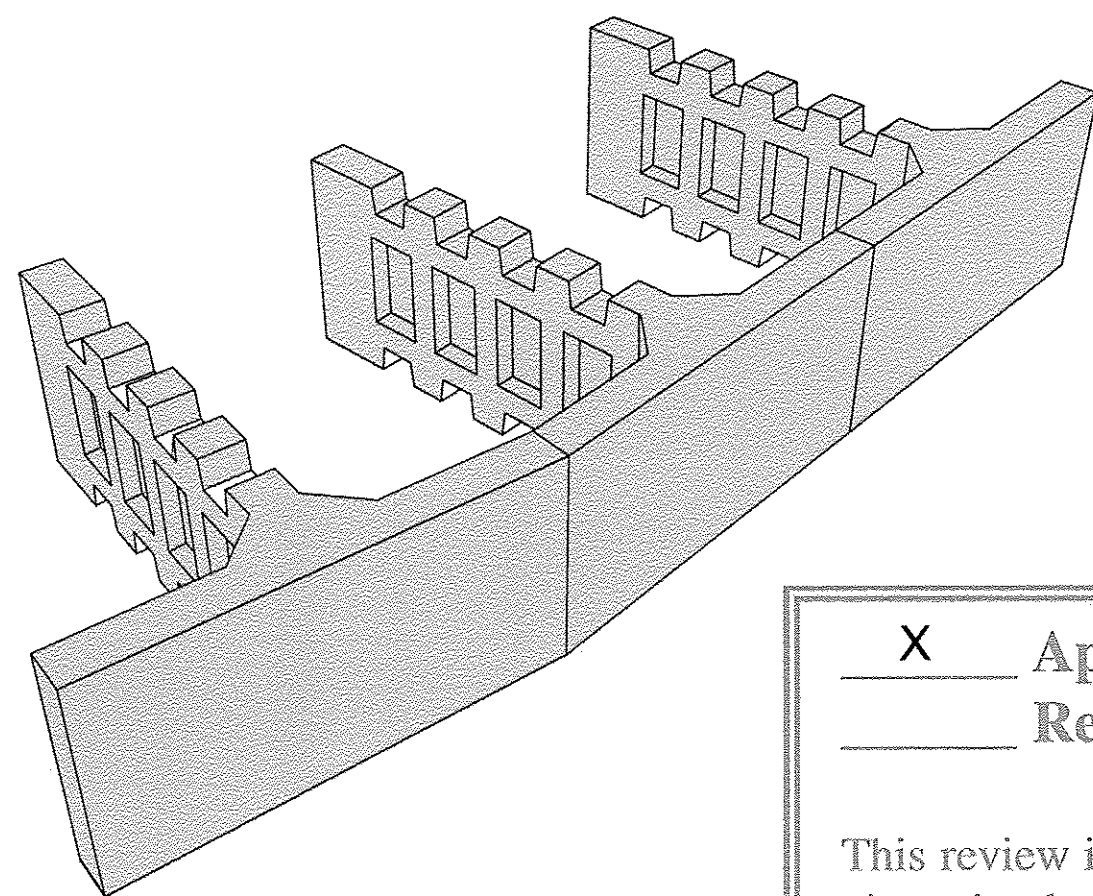


# RIGIDIFIED TUBE FRP ARCH (RTFA) PROJECT

## FAIRFIELD, VT

### FABRICATION DRAWINGS *T-WALL®* RETAINING WALL SYSTEM



Approved  
 Rejected

\_\_\_\_\_ Approved As Noted

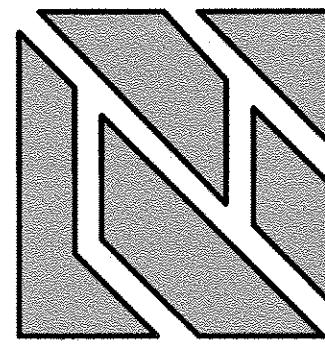
This review is only for general conformance with the design concept and the information given in the Construction Documents. Corrections or comments made on the shop drawings during the review do not relieve the Contractor from compliance with the requirements of the Plans and Specifications. Review of a specific item shall not include review of an assembly of which an item is a component. The Contractor is responsible for dimensions to be confirmed and corrected at the job site; information that pertains solely to the fabrication process or to the means, methods, techniques, sequences and procedures of construction; coordination of the Work with that of other trades and performing all Work in a safe and satisfactory manner.

Date 8/8/2014

**McFarland Johnson**

By T. Traver

### DESIGNER



**THE NEEL COMPANY**  
8328-D TRAFORD LANE  
SPRINGFIELD, VIRGINIA 22152  
PH: (703) 913-7858  
FX: (703) 913-7859  
WEB: WWW.NEELCO.COM

### PRECASTER



**Concrete Systems Inc.**  
9 Commercial St., Hudson, NH, 03051  
Phone 603-889-4163  
Fax 603-889-2417  
Web www.csigroup.biz

### INDEX OF DRAWINGS

SHEET	TITLE	REV	DATE
TW-FB1	COVER SHEET		8-6-14
TW-FB2	SPECIAL UNIT SP1		8-6-14
TW-FB3	SPECIAL UNIT SP2		8-6-14
TW-FB4	SPECIAL UNIT SP3		8-6-14
TW-FB5	SPECIAL UNIT SP4		8-6-14
TW-FB6	SPECIAL UNIT SP5		8-6-14
TW-FB7	SPECIAL UNIT SP6		8-6-14
TW-FB8	SPECIAL UNIT SP7		8-6-14
TW-FB9	SPECIAL UNIT SP8		8-6-14
TW-FB10	SPECIAL UNIT SP9		8-6-14
TW-FB11	SPECIAL UNIT SP10		8-6-14
TW-FB12	SPECIAL UNIT SP11		8-6-14
TW-FB13	SPECIAL UNIT SP12		8-6-14
TW-FB14	SPECIAL UNIT SP13		8-6-14
TW-FB15	SPECIAL UNIT SP14		8-6-14
TW-FB16	SPECIAL UNIT SP15		8-6-14
TW-FB17	SPECIAL UNIT SP16		8-6-14
TW-FB18	SPECIAL UNIT SP17		8-6-14
TW-FB19	SPECIAL UNIT SP18		8-6-14
TW-FB20	SPECIAL UNIT SP20		8-6-14
TW-FB21	SPECIAL UNIT SP21		8-6-14
TW-FB22	SPECIAL UNIT SP22		8-6-14
TW-FB23	SPECIAL UNIT SP23		8-6-14
TW-FB24	SPECIAL UNIT SP24		8-6-14

### LEGEND

SHADED AREA INDICATES AREA OF FRONT FACE THAT EXTENDS ABOVE THE STEM

FALSE JOINT (DASHED LINE)

SPECIAL UNIT MARK

STEM LENGTH WITH STEM MARK (IN FEET)

SHADED AREA INDICATES AREA OF FRONT FACE THAT EXTENDS ABOVE THE STEM

FALSE JOINT (DASHED LINE)

HEIGHT OF TOP UNIT (IN FEET)

STEM LENGTH (IN FEET)

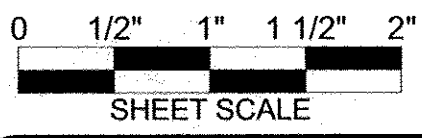
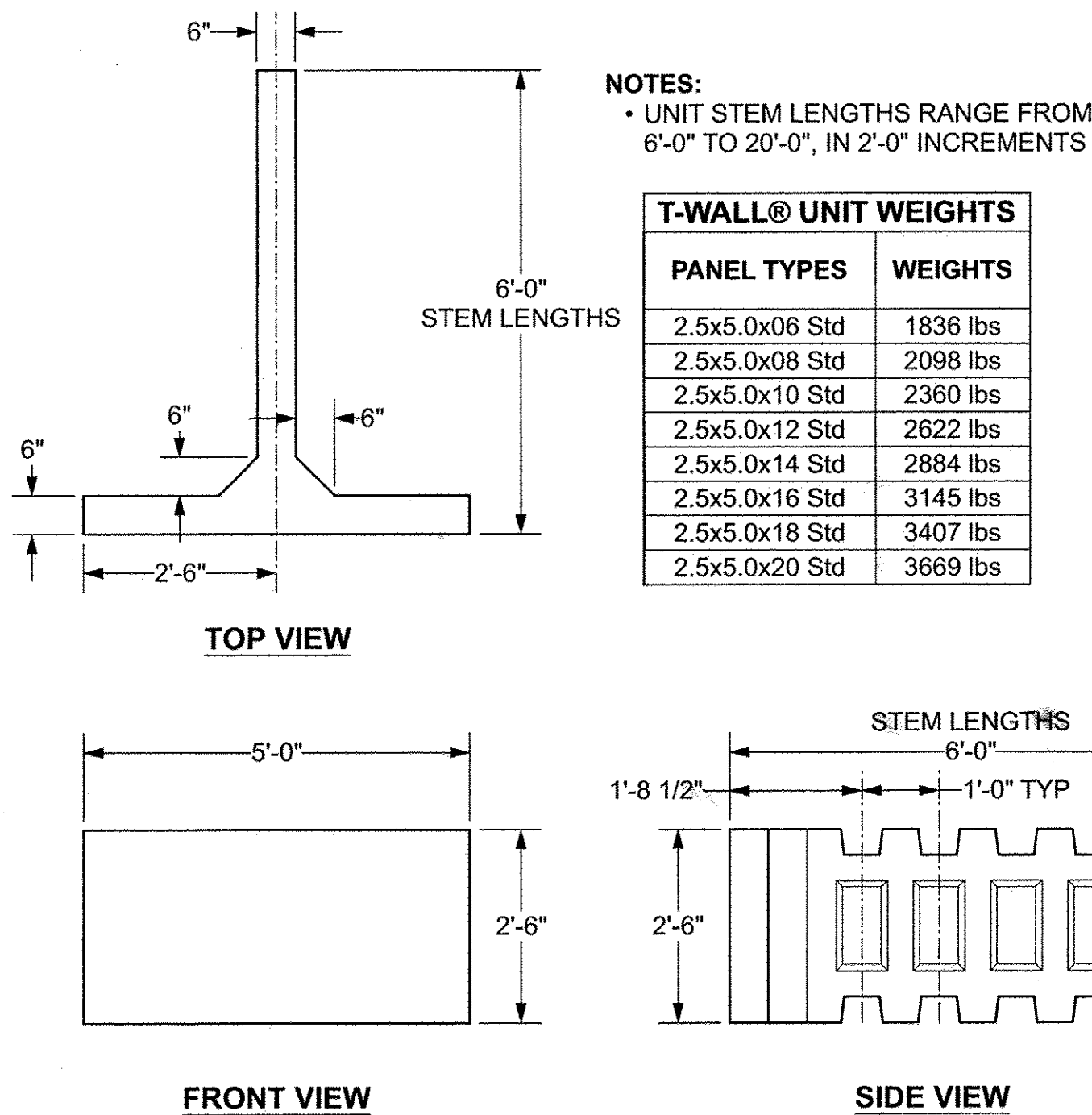
STEM LENGTH (IN FEET)

**SPECIAL TOP T-WALL® UNIT**  
(FRONT FACE HEIGHT VARIES)

**STANDARD TOP T-WALL® UNIT**  
(FRONT FACE HEIGHT VARIES)

**STANDARD 2'-6" T-WALL® UNIT**

TYPICAL PANEL NOTATION  
NO SCALE



### FABRICATION DRAWING 8-6-14

**RIGIDIFIED TUBE FRP ARCH (RTFA) PROJECT**

FAIRFIELD, VT

FABRICATION DRAWING  
COVER SHEET

T-WALL® RETAINING WALL SYSTEM

SCALE:	NO SCALE
DATE:	8-6-14
DESIGNED BY:	KD
DRAWN BY:	ABC
CHECKED BY:	KD
SHEET:	TW-FB1

The design contained on these drawings is based upon information provided by the owner. On the basis of this information, The Neel Company has designed, and is responsible for, the internal stability of the structure only. External stability, including foundation and slope stability, is the responsibility of the owner.

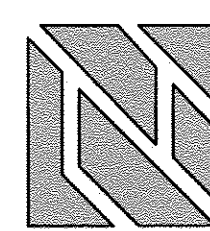
This drawing contains information proprietary to The Neel Company. T-WALL® is a registered trademark owned by The Neel Company. ©2012 The Neel Company

**PRECASTER:** CONCRETE SYSTEMS, INC.  
HUDSON, NH  
**PROJECT #:** T21882

**CONTRACTOR:**

**PROJECT #:**

**DESIGNER**



**THE NEEL COMPANY**  
8328-D TRAFORD LANE  
SPRINGFIELD, VIRGINIA 22152  
PH: (703) 913-7858  
FX: (703) 913-7859  
WEB: WWW.NEELCO.COM

**PROJECT #:** TW4301

CERTIFIED WITH RESPECT TO INTERNAL STABILITY OF T-WALL® STRUCTURES ONLY

### REVISIONS
