

FASCIA PLATE NOTES:

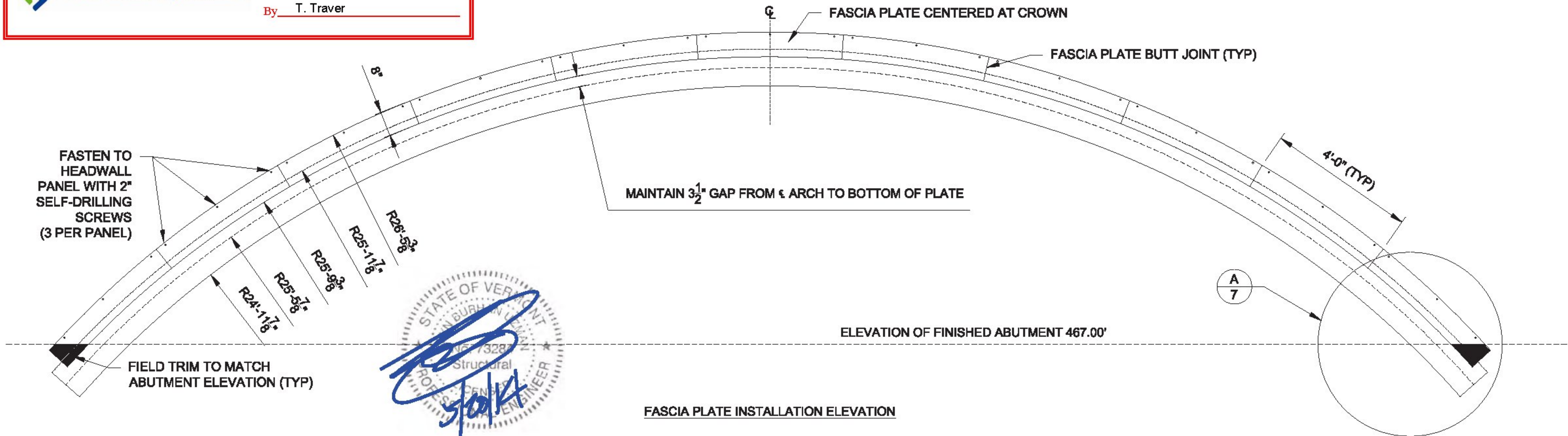
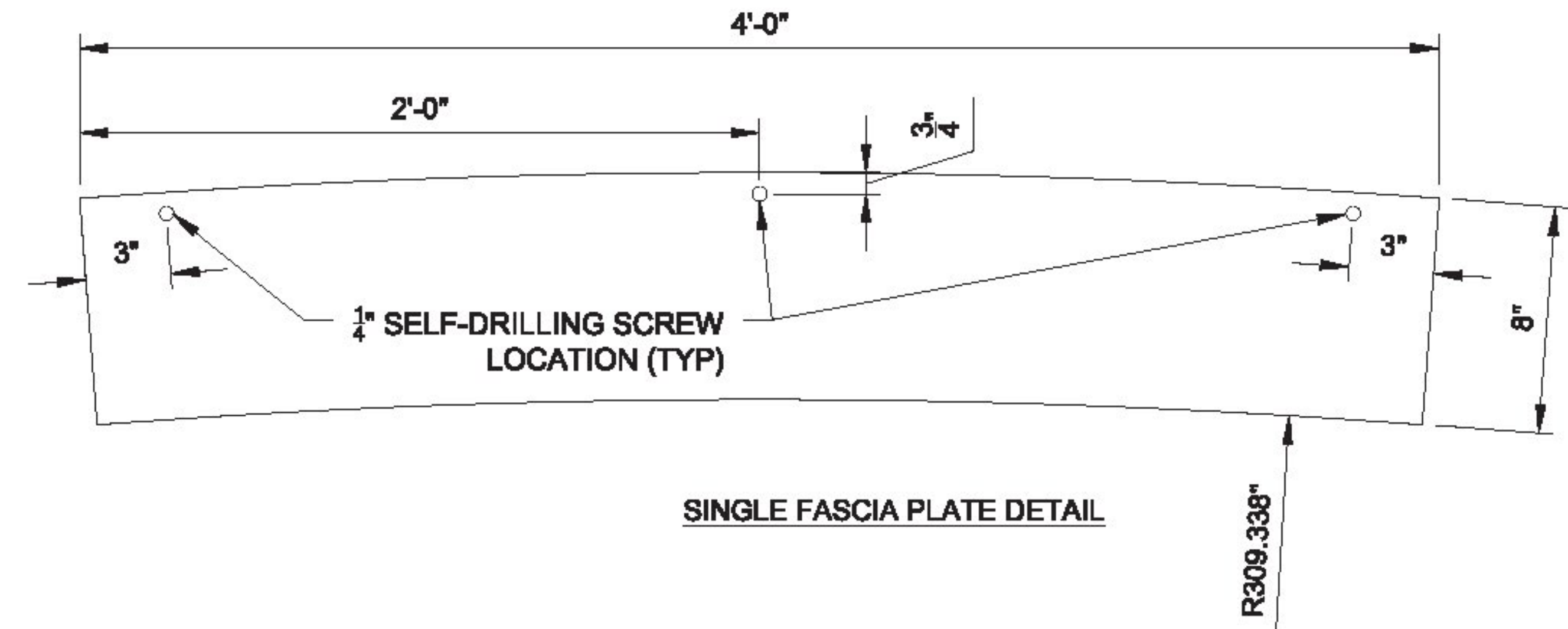
- PROJECT SHALL INCLUDE TWENTY-TWO (22) TOTAL $\frac{1}{16}$ " BI-DIRECTIONAL E-GLASS CURVED FASCIA PLATES
- FASCIA PLATES SHALL BE PROVIDED CUT TO DIMENSIONS SHOWN ON PLANS
- FASCIA PLATES WILL NOT BE PRE-DRILLED OR MARKED AT SCREW LOCATIONS
- FASCIA PLATES SHALL BE FINISHED WITH SHERWIN-WILLIAMS FLUOROKEM FLUOROPOLYMER URETHANE MCSO SW4028 GYPSUM COLORED PAINT

X	Approved	Approved As Noted
	Rejected	

This review is only for general conformance with the design concept and the information given in the Construction Documents. Corrections or comments made on the shop drawings during the review do not relieve the Contractor from compliance with the requirements of the Plans and Specifications. Review of a specific item shall not include review of an assembly of which an item is a component. The Contractor is responsible for dimensions to be confirmed and corrected at the job site; information that pertains solely to the fabrication process or to the means, methods, techniques, sequences and procedures of construction; coordination of the Work with that of other trades and performing all Work in a safe and satisfactory manner.

Date: 6/6/2014

By: T. Traver


20 Godfrey Drive
Orono, Maine 04473
Tel 207.866.6526
Fax 207.866.6501
www.aitbridges.com

PROJECT: Wanzer Road Bridge No. 48	TITLE: FASCIA PLATE LAYOUT AND DETAILS		SHEET NUMBER:
LOCATION: Fairfield, VT	JN: 12018	INITIALS	10 OF 10
DRAWING STATUS: Approved for Construction	DRAWN BY: JEK	DATE: 4-9-2014	REV: 05-20-2014
Correct scale on size B paper (11x17 Ledger)	DESIGNED BY: JEK	DATE: 4-9-2014	
	CHECKED BY: ZU	DATE: 5-20-2014	