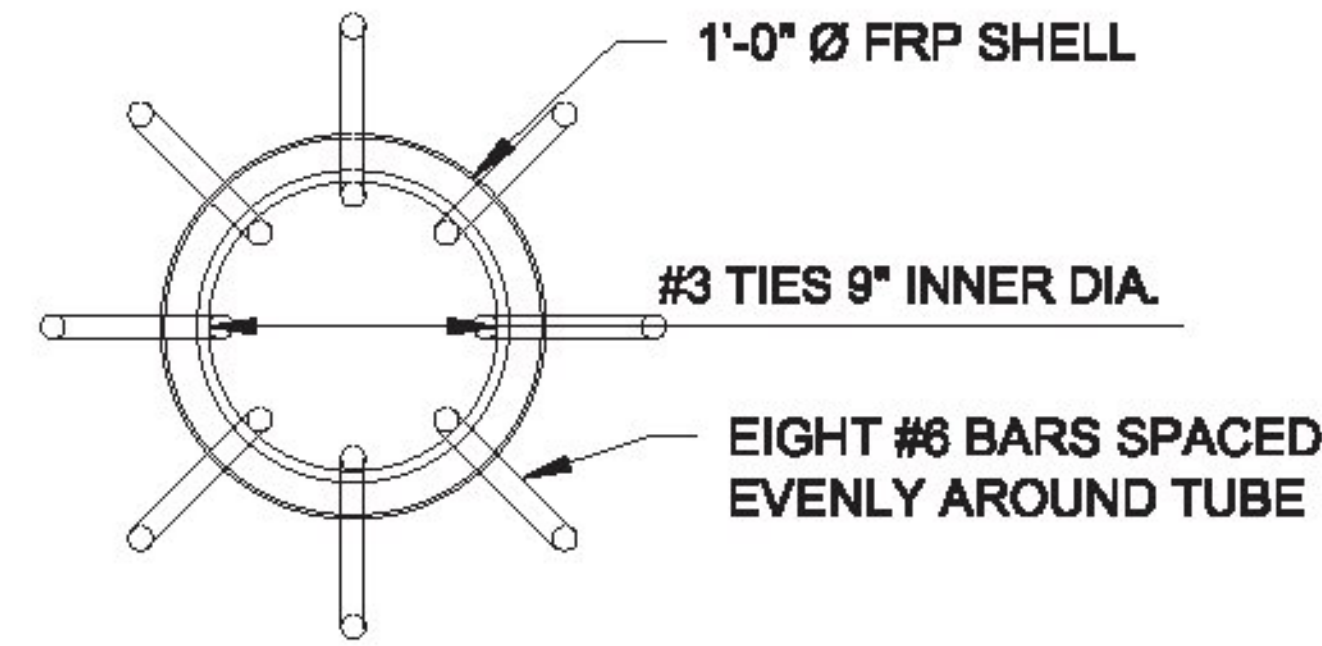
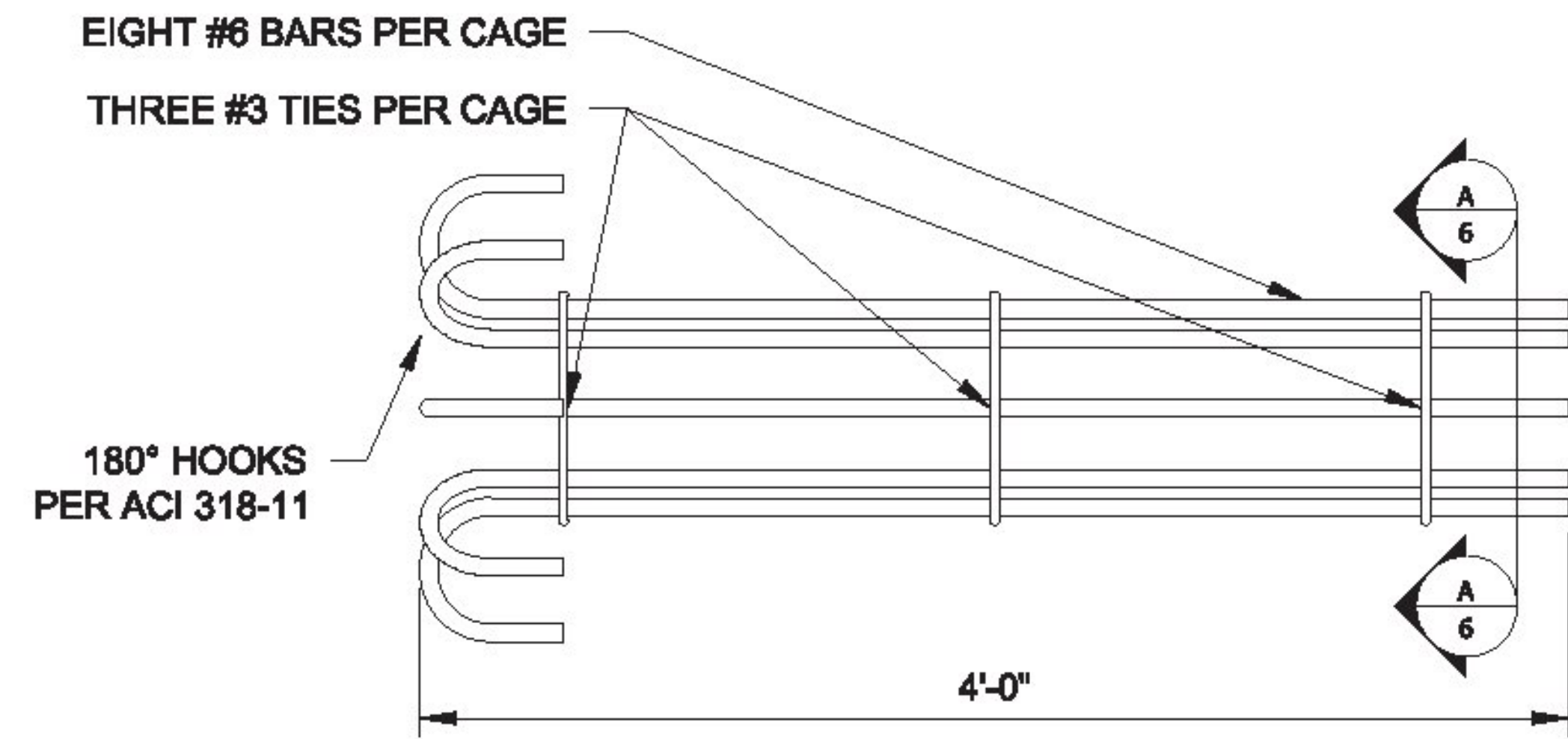


FINISHING NOTES:

1. ARCH MATERIALS SHALL CONFORM TO SECTION 3 OF "AASHTO LRFD GUIDE SPECIFICATIONS FOR DESIGN OF CONCRETE-FILLED FRP TUBES FOR FLEXURAL AND AXIAL MEMBERS"
2. PROJECT SHALL INCLUDE NINE (9) COMPOSITE ARCHES. ONE (1) LAYER OF AIT12GNP, THREE (3) LAYERS OF AIT12GS, AND DEREKANE 610C VINYL ESTER RESIN.
3. PROJECT SHALL INCLUDE EIGHTEEN (18) END REINFORCEMENT CAGES - SUPPLIED BY ERECTION CONTRACTOR
4. ARCH FINISH COAT SHALL BE SHERWIN-WILLIAMS FLUOROKEM FLUOROPOLYMER URETHANE MCSO SW4028 GYPSUM COLORED PAINT
5. ARCHES SHALL BE MANUFACTURED FOLLOWING AIT QUALITY ASSURANCE PLAN REV. 3.0
6. 3"Ø FILL HOLE AND SHEAR BOLT HOLES SHALL BE DRILLED IN THE FIELD BY ERECTION CONTRACTOR



**END REINFORCEMENT CAGE
END VIEW SECTION A-A**

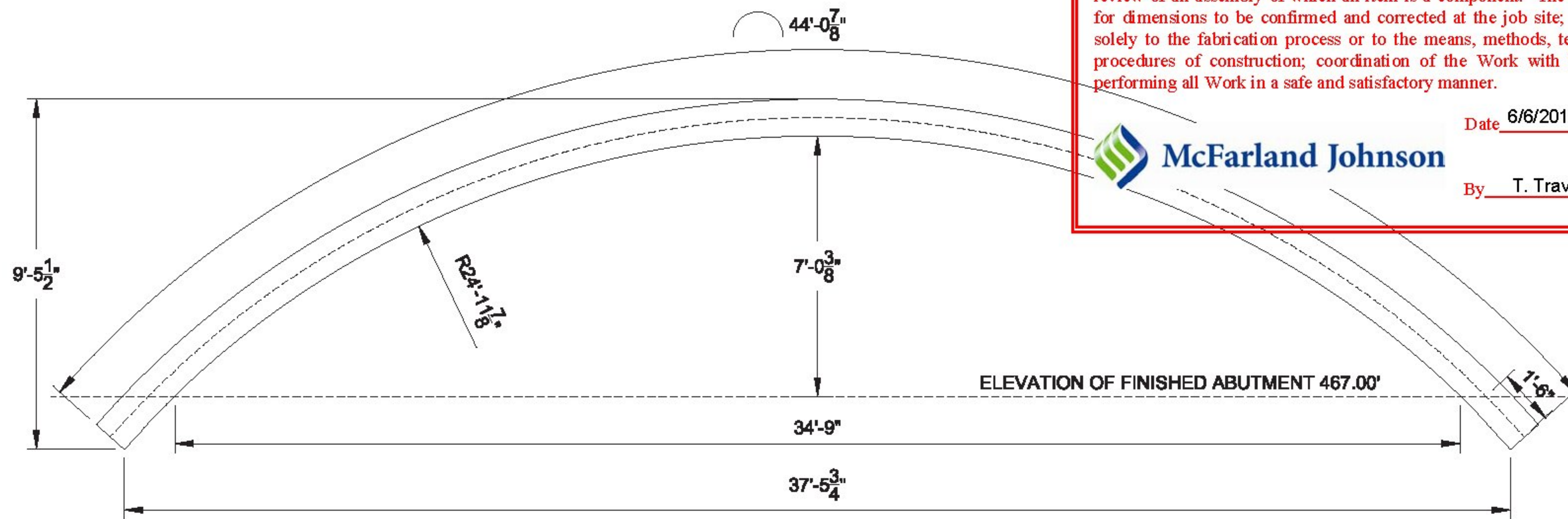


**END REINFORCEMENT CAGE
ELEVATION VIEW**

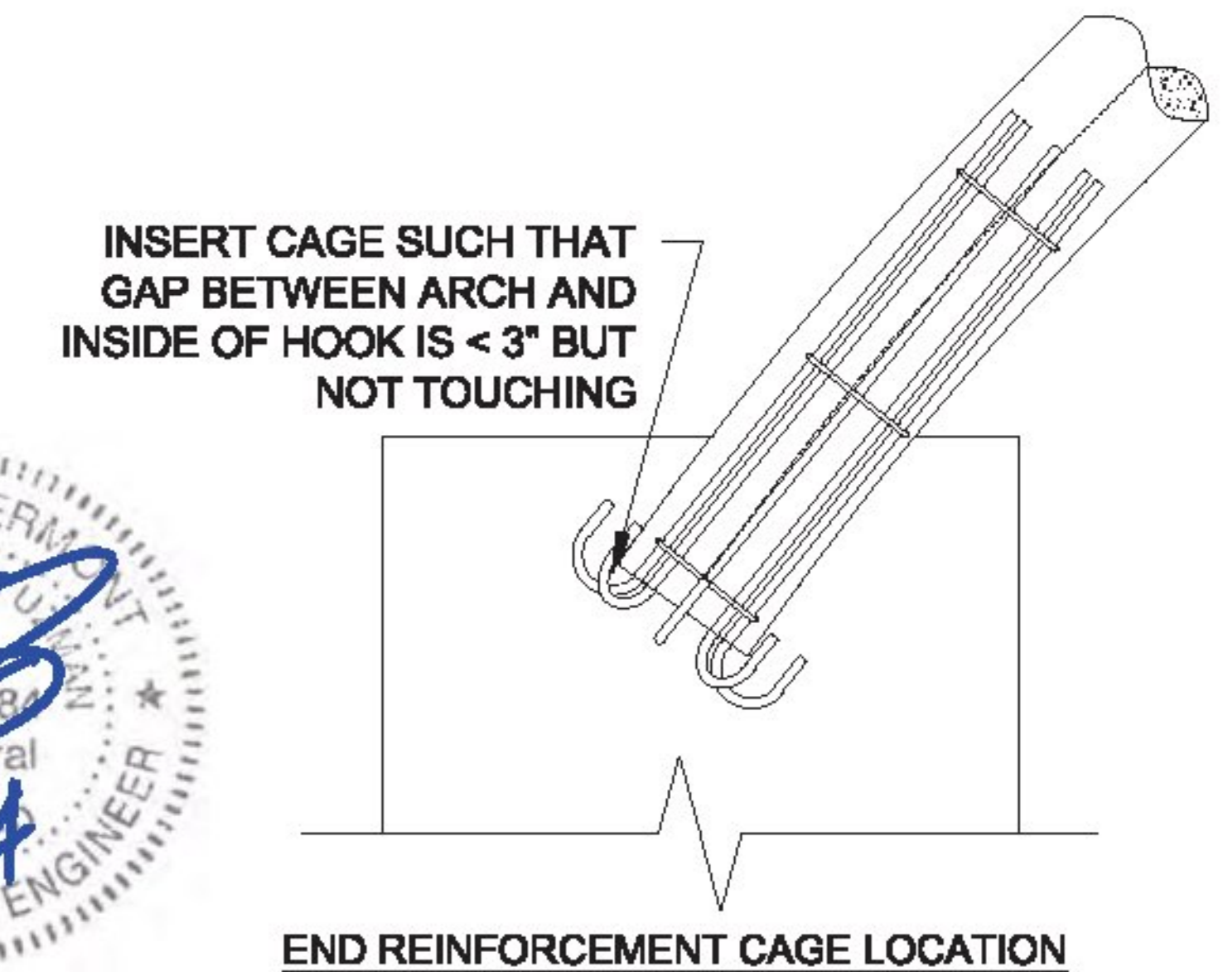
Approved
 Approved As Noted
 Rejected

This review is only for general conformance with the design concept and the information given in the Construction Documents. Corrections or comments made on the shop drawings during the review do not relieve the Contractor from compliance with the requirements of the Plans and Specifications. Review of a specific item shall not include review of an assembly of which an item is a component. The Contractor is responsible for dimensions to be confirmed and corrected at the job site; information that pertains solely to the fabrication process or to the means, methods, techniques, sequences and procedures of construction; coordination of the Work with that of other trades and performing all Work in a safe and satisfactory manner.

Date 6/6/2014
 By T. Traver



ARCH FINISH DIMENSIONS



END REINFORCEMENT CAGE LOCATION



**ADVANCED
INFRASTRUCTURE
TECHNOLOGIES**

20 Godfrey Drive
 Orono, Maine 04473
 Tel 207.866.6526
 Fax 207.866.6501
 www.aitbridges.com

PROJECT: Wanzer Road Bridge No. 48		TITLE: ARCH DETAILS		SHEET NUMBER:		
LOCATION: Fairfield, VT		JN: 12018		<div style="font-size: 2em; font-weight: bold;">6</div> OF 10		
DRAWING STATUS: Approved for Construction		DRAWN BY:	JEK			4-9-2014
Correct scale on size B paper (11x17 Ledger)		DESIGNED BY:	JEK			4-9-2014
		CHECKED BY:	ZU			5-20-2014
REV: 05-20-2014						