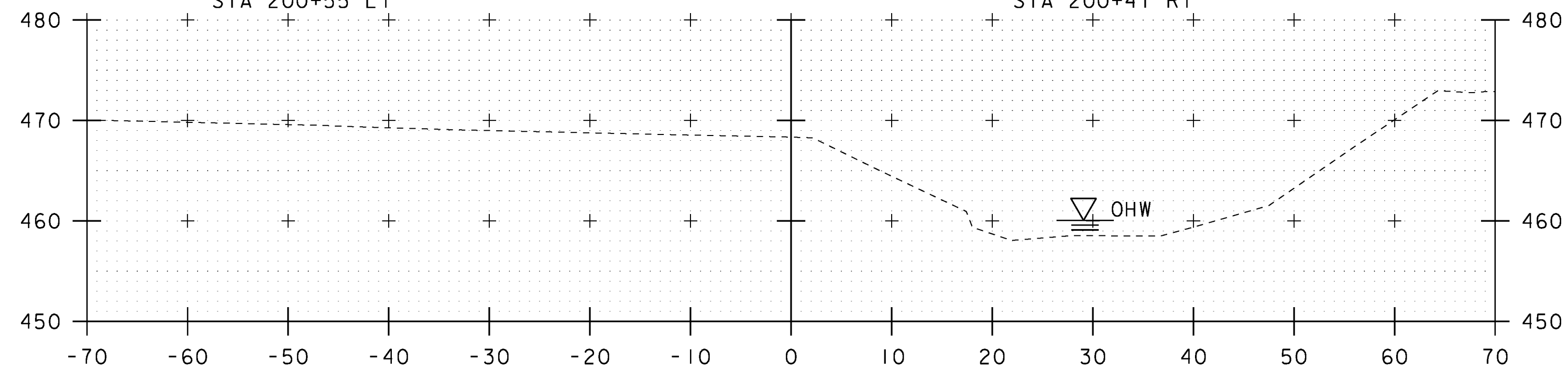


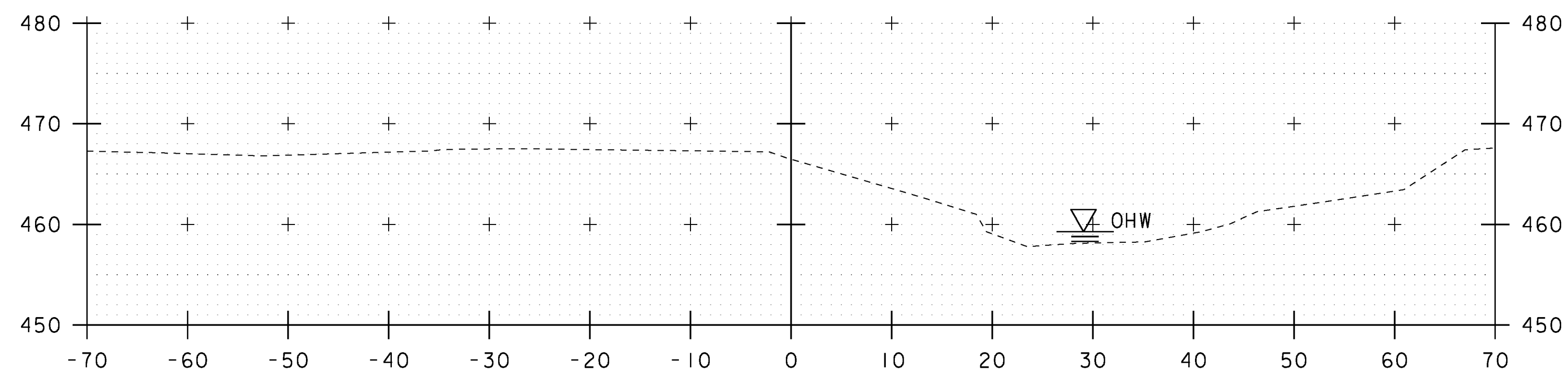
BEGIN
UNCLASSIFIED CHANNEL EXCAVATION
GEOTEXTILE UNDER STONE FILL
STONE FILL, TYPE II
GRUBBING MATERIAL
STA 200+55 LT

200+50

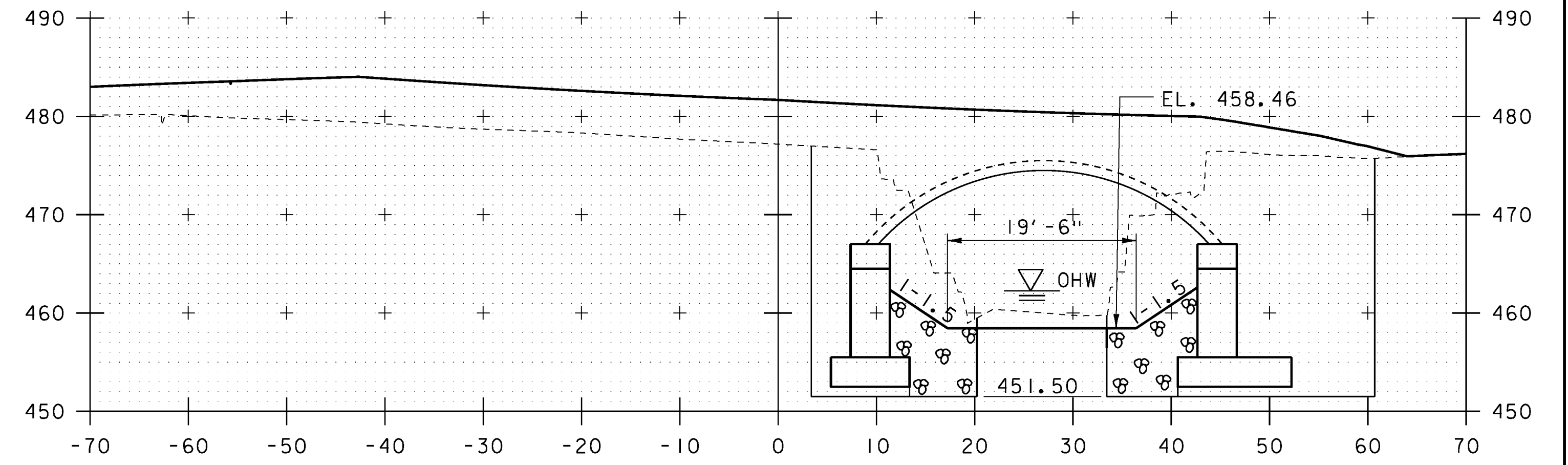
BEGIN
UNCLASSIFIED CHANNEL EXCAVATION
GEOTEXTILE UNDER STONE FILL
STONE FILL, TYPE II
GRUBBING MATERIAL
STA 200+41 RT



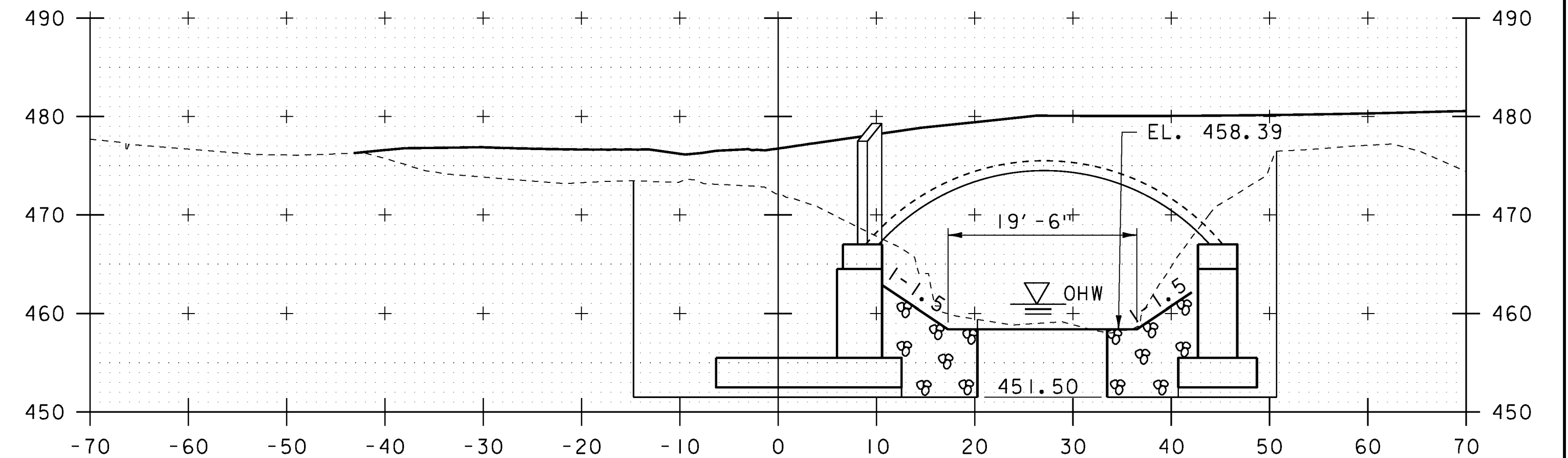
200+25



200+00



201+00



200+75

END
GRUBBING MATERIAL
STA 200+72 LT

END
GRUBBING MATERIAL
STA 200+41 RT

STA. 200+00 TO STA. 201+00

SCALE 1" = 10' - 0"



PROJECT NAME: FAIRFIELD
PROJECT NUMBER: BRO 1448(38)
FILE NAME: z11j072_xsl.dgn
PROJECT LEADER: D. LANDRY
DESIGNED BY: E. ALEXOPOULOS
CHANNEL CROSS SECTIONS (1 OF 2)

PLOT DATE: 01-NOV-2013
DRAWN BY: W. GAYNOR
CHECKED BY: T. KENDRICK
SHEET 40 OF 41